

Installation & Maintenance Instructions



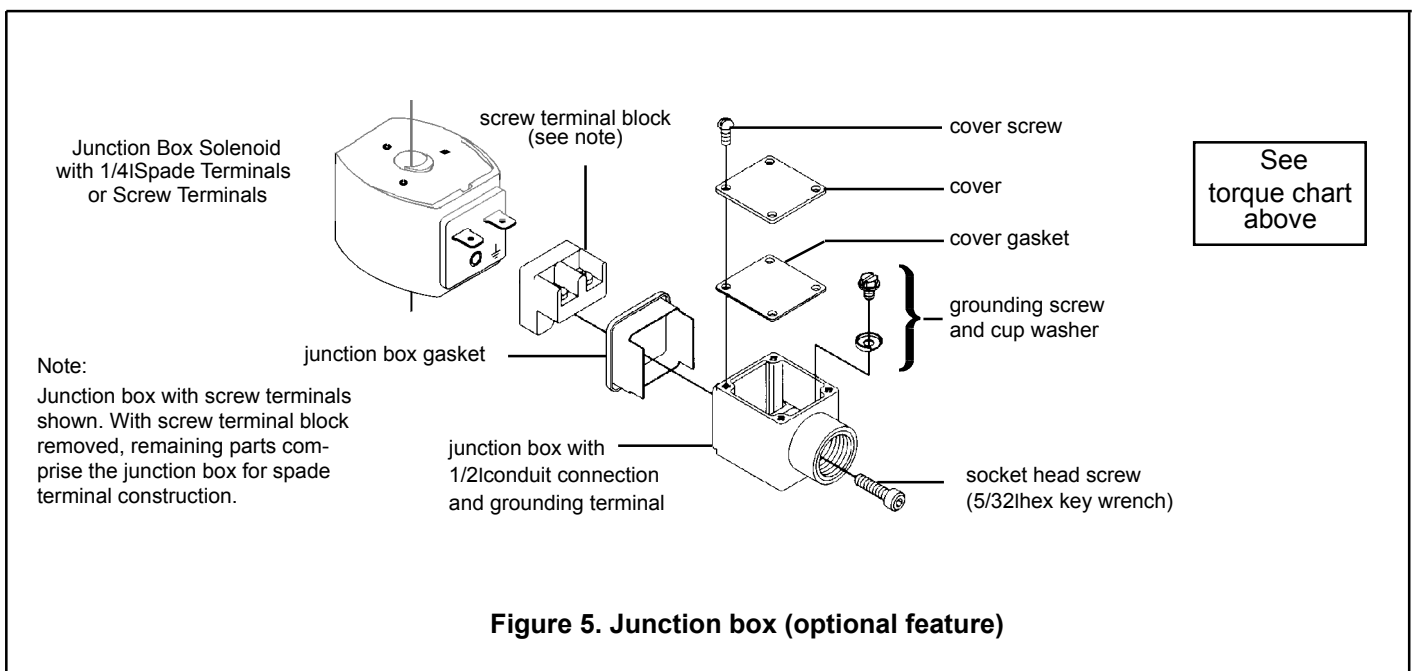
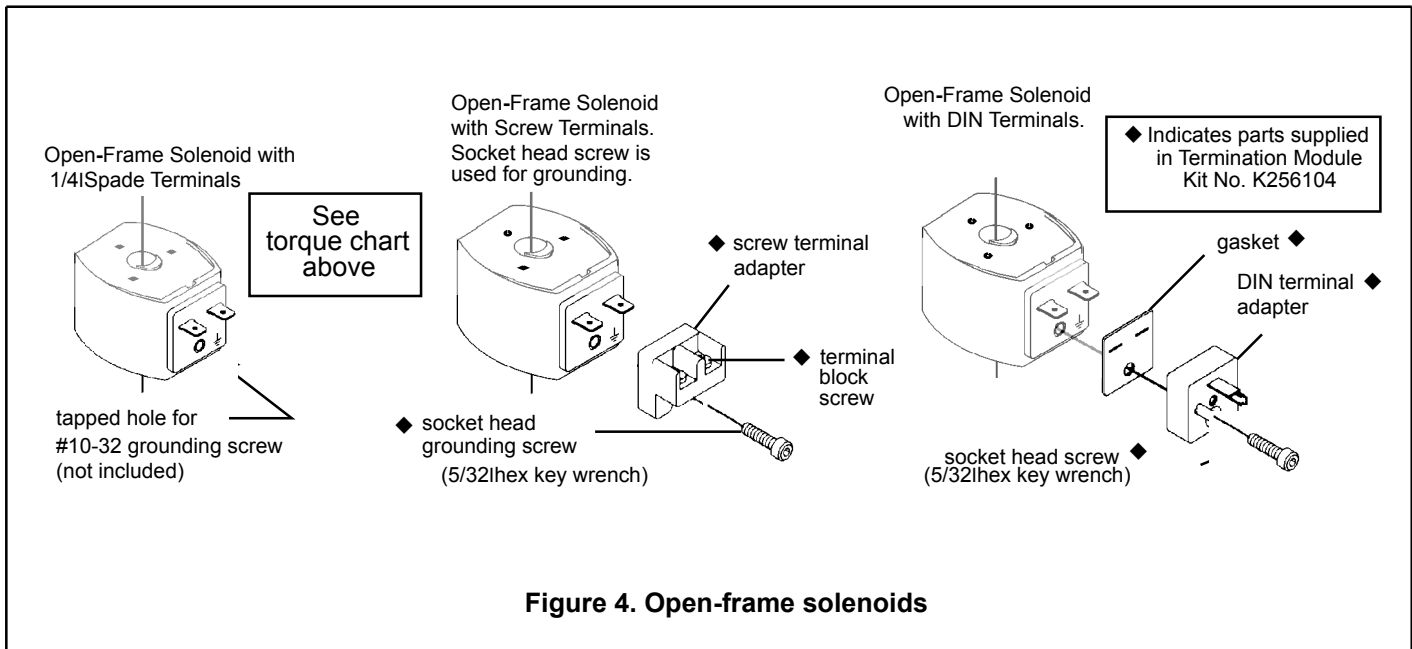
OPEN-FRAME, GENERAL PURPOSE, WATERTIGHT/EXPLOSIONPROOF SOLENOIDS
 OPTIONAL FEATURE FOR OPEN FRAME (GENERAL PURPOSE) CONSTRUCTION ONLY

SERIES
 8003G/H
 8007G/H
 8202G/H

NOTICE: See Installation and Maintenance Instructions, I&M No. V_6584_R19 - Section 1 of 2 for detailed instructions.

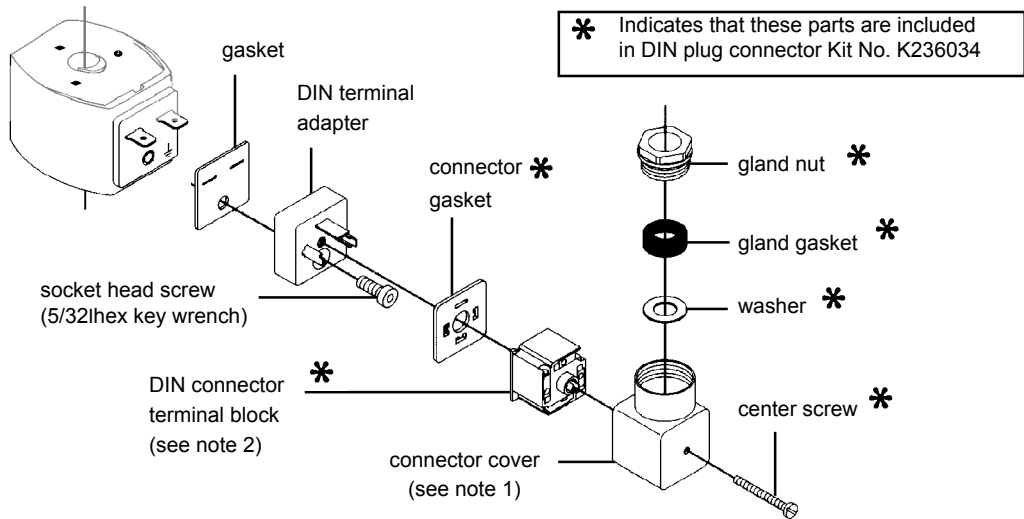
Torque Chart

Part Name	Torque Value in Inch-Pounds	Torque Value in Newton-Meters
terminal block screws	10 ± 2	1,1 ± 0,2
socket head screw	15 - 20	1,7 - 2,3
center screw	5 ± 1	0,6 ± 0,1



Open-Frame Solenoid
with DIN Terminal
Plug Connector

See
torque chart
above

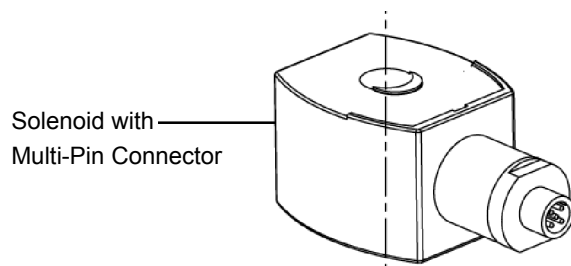


* Indicates that these parts are included in DIN plug connector Kit No. K236034

Notes:

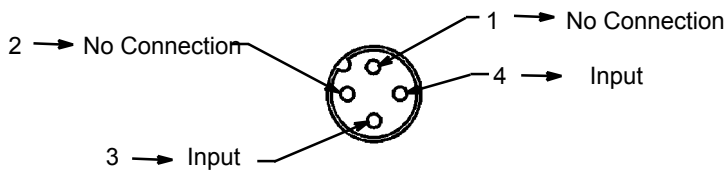
1. Connector cover may be rotated in 90° increments from position shown for alternate position of cable entry.
2. Refer to markings on DIN connector for proper electrical connections.

Figure 6. DIN plug connector kit No. K236034 (optional feature)



Solenoid with
Multi-Pin Connector

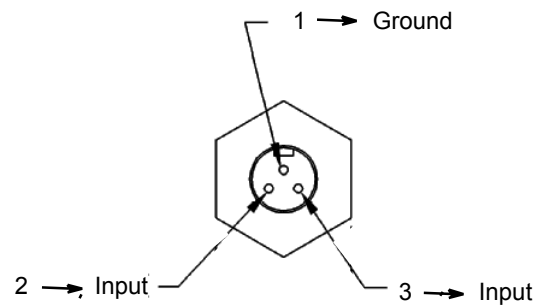
DC: For mating connector, use 4-pin M12 x 1 threaded female connector.



Electrical Connection Size:

DC: Single keyway M12 x 1 (Not polarity sensitive)
AC: Dual keyway 1/2-20UNF Thread

Figure 7.
4-Pin Anodized Aluminum Electrical Termination (VT/VB)



Electrical Connection Size:

DC/AC: 7/8-16 UNS-2A

Figure 8.
Mini 3-pin Epoxy Coated Zinc Electrical Termination (ZT/ZB)