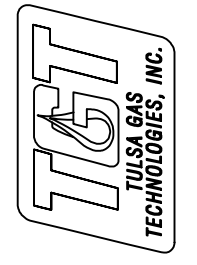
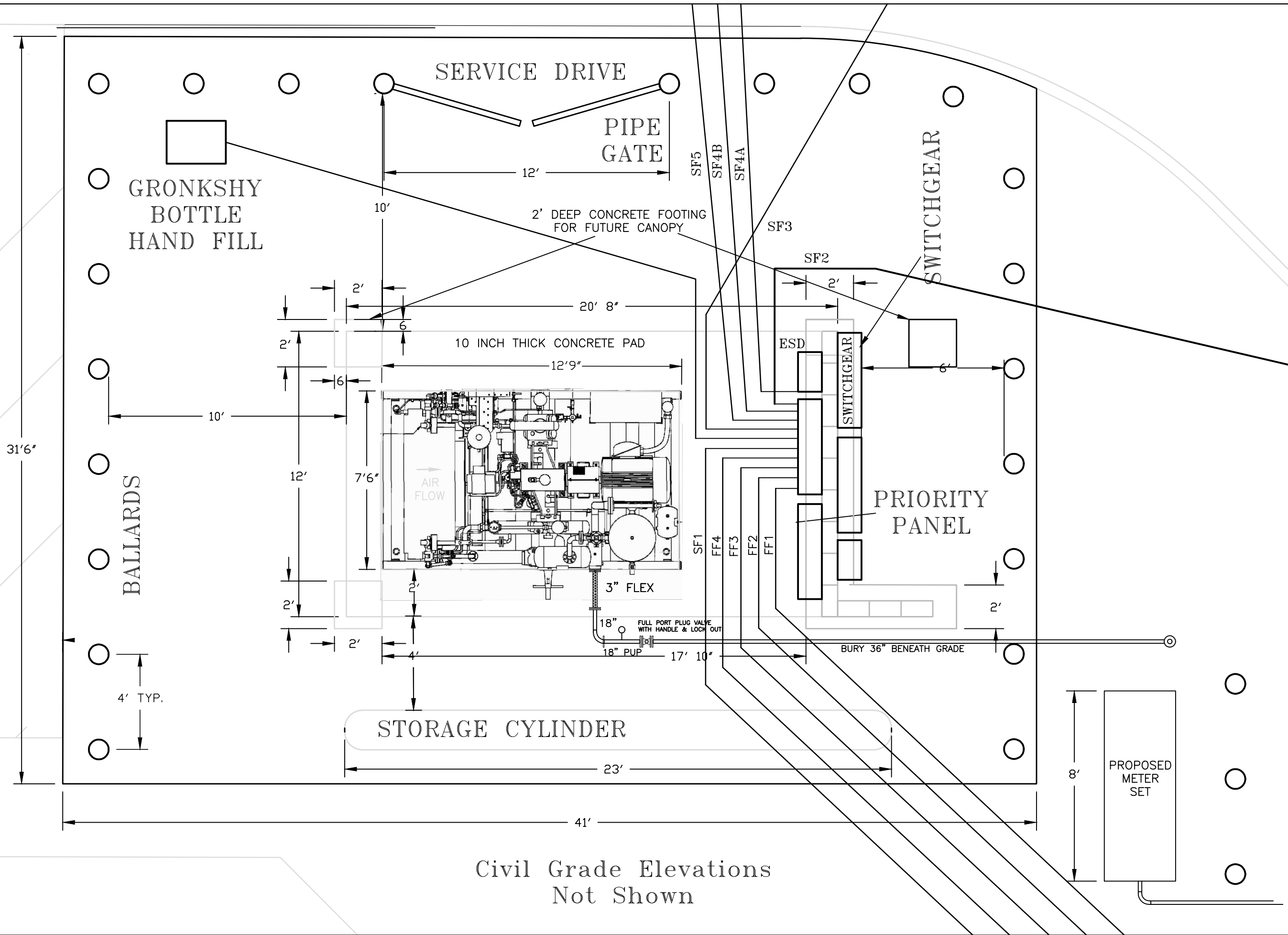
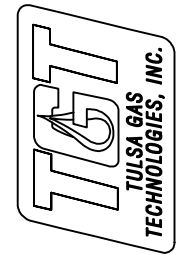


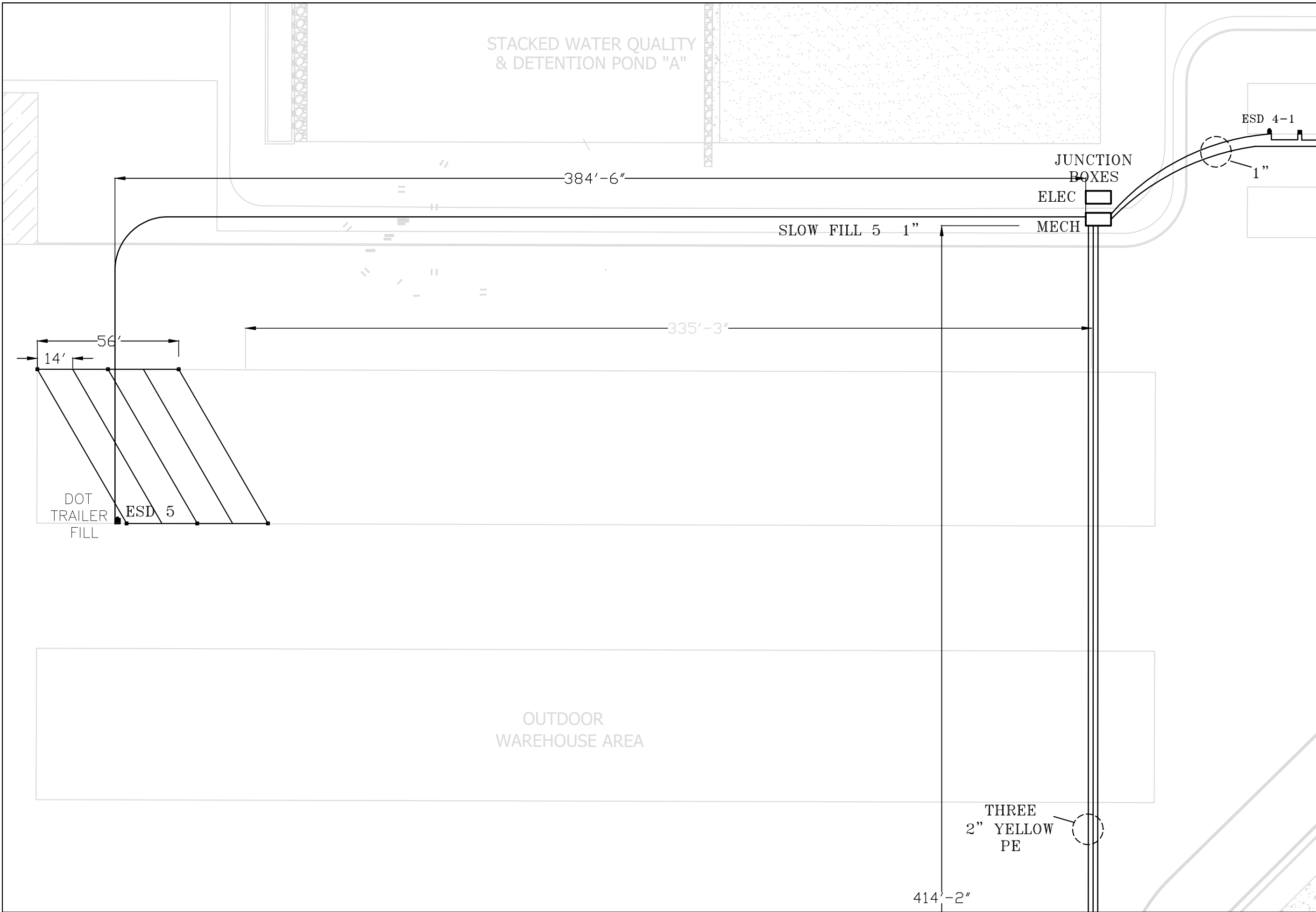
MODEL:	SEQUENCE	-	DATE	05-16-19
	PROGRAM:	-	DRAWN BY:	MB
	SERIAL NO.:	-	CHECKED BY:	-
	WORK ORDER:	-	APPROVED BY:	-
	MATERIAL:	-	PART:	-
TULSA GAS TECHNOLOGIES, INC. 4809 South 101st East Avenue Tulsa, OK 74146 918-665-2641 918-665-2657 FAX: 918-665-2657		DWG. NO. AUSTIN SITE PLAN - ONE GAS SERVICE CNG M1		
G:\STATON SITE PLANS\TGS_AUSTIN				

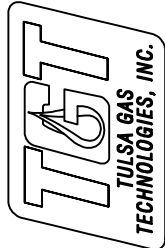


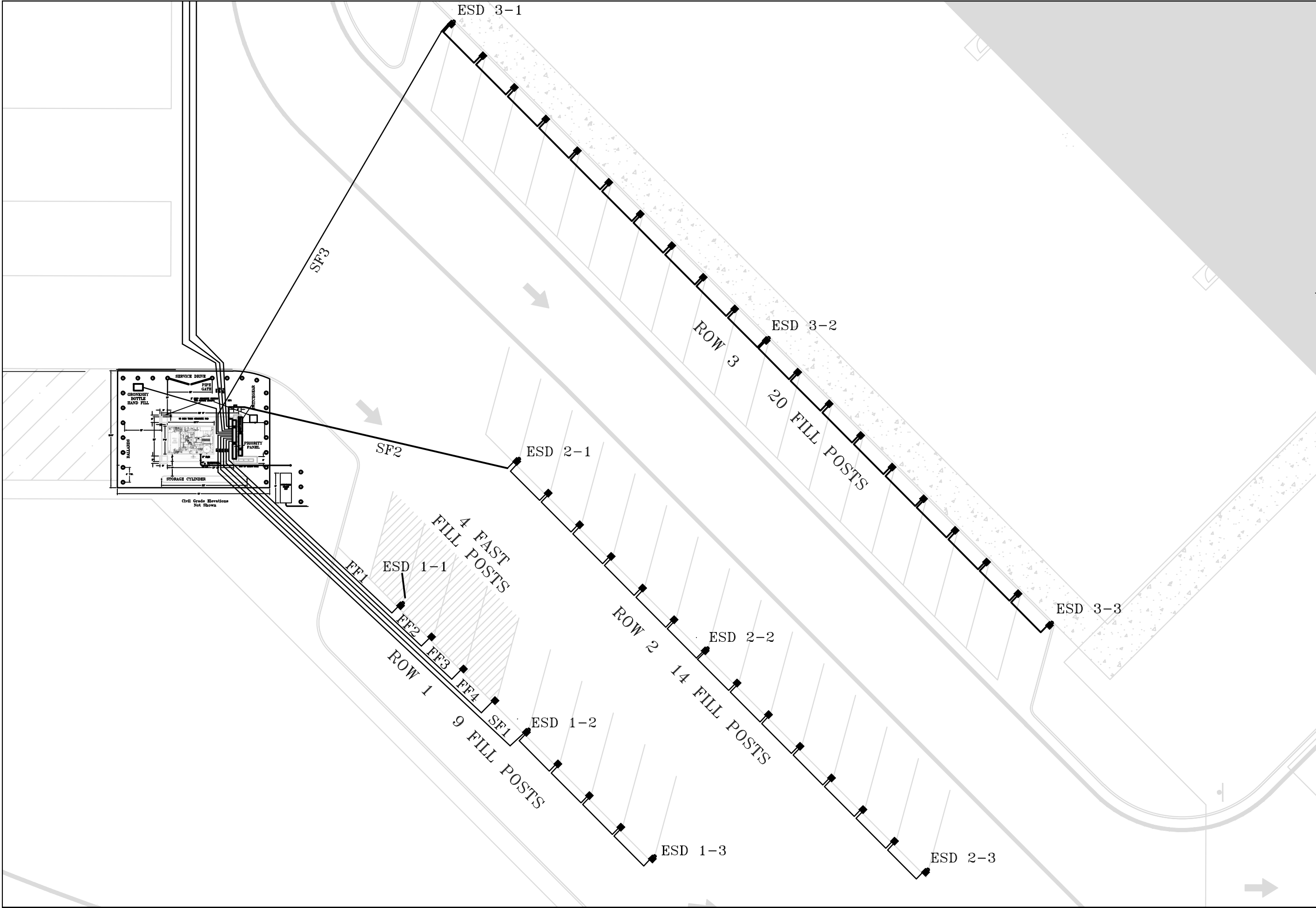


Civil Grade Elevations
Not Shown

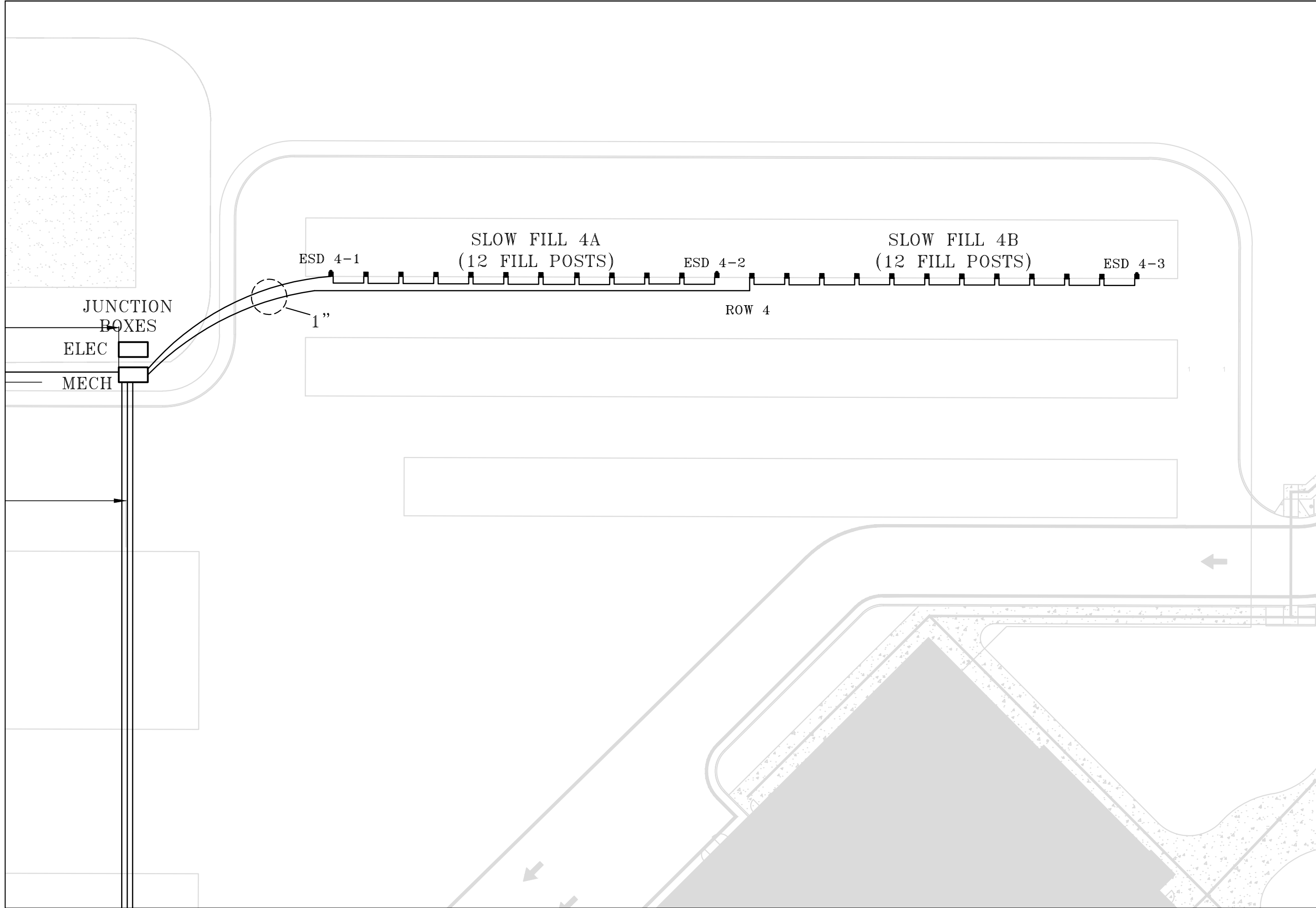
MODEL:	DATE
SEQUENCE -	05-16-19
PROGRAM -	
SERIAL NO.: -	
WORK ORDER: -	
MATERIAL: -	
DRAWN BY: MB	
CHECKED BY: -	
APPROVED BY: -	
PART: -	
DWG. NO. AUSTIN SITE PLAN - ONE GAS SERVICE	
CNG M2	
G:\STATION SITE PLANS\TGS AUSTIN	
<p>TULSA GAS TECHNOLOGIES, INC. 4809 South 101st East Avenue Tulsa, OK 74146 918-665-2641 FAX: 918-665-2657</p>	
	



MODEL:	SEQUENCE	-	DATE	05-16-19
	PROGRAM:	-		
	SERIAL NO.:	-		
	WORK ORDER:	-		
	MATERIAL:	-		
TULSA GAS TECHNOLOGIES, INC. 4809 South 101st East Avenue Tulsa, OK 74146 918-665-2641 FAX: 918-665-2657		DRAWN BY:	MB	
		CHECKED BY:	-	
		APPROVED BY:	-	
		PART:	-	
		DWG. NO. AUSTIN SITE PLAN - ONE GAS SERVICE	CNG M3	
		C:\STATON SITE PLANS\TGS AUSTIN		

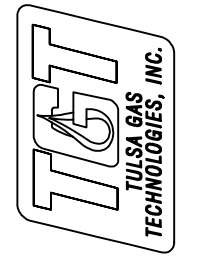


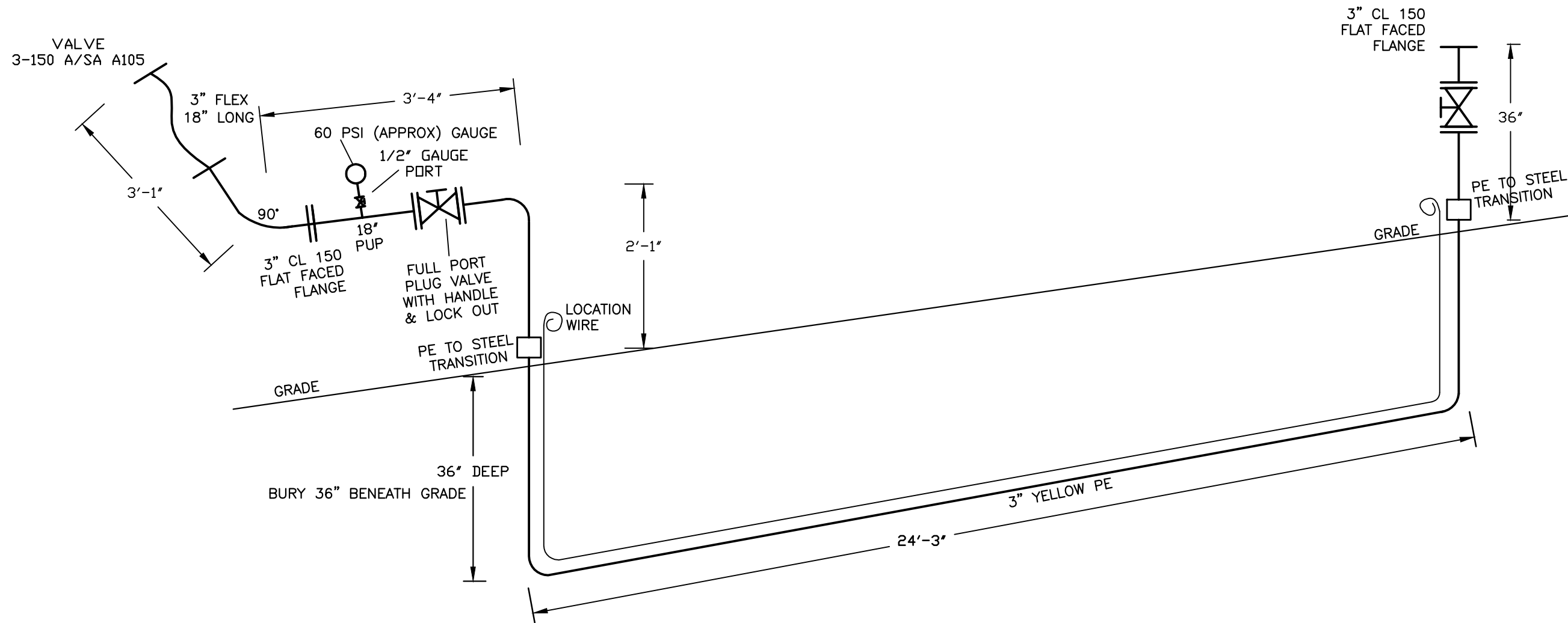
<p>TGT TULSA GAS TECHNOLOGIES, INC.</p> <p>TULSA GAS TECHNOLOGIES, INC. 4809 South 101st East Avenue Tulsa, OK 74146 918-665-2641 FAX: 918-665-2657</p>		<p>MODEL: —</p> <p>SEQUENCE: —</p> <p>PROGRAM: —</p> <p>SERIAL NO.: —</p> <p>WORK ORDER: —</p> <p>MATERIAL: —</p>	<p>DATE: 05-16-19</p> <p>DRAWN BY: MB</p> <p>CHECKED BY: —</p> <p>APPROVED BY: —</p> <p>PART: —</p> <p>DWG. NO. AUSTIN SITE PLAN - ONE GAS SERVICE</p> <p>CNG M4</p> <p>G:\STATION SITE PLANS\TGS AUSTIN</p>
--	--	---	--



DATE		05-16-19
MODEL:	SEQUENCE	-
	PROGRAM:	-
	SERIAL NO.:	-
	WORK ORDER:	-
	MATERIAL:	-
DRAWN BY:	MB	
CHECKED BY:	-	
APPROVED BY:	-	
PART:	-	
DWG. NO. AUSTIN SITE PLAN - ONE GAS SERVICE		
CNG M5		
G:\STATON SITE PLANS\TGS AUSTIN		

TULSA GAS TECHNOLOGIES, INC.
 4809 South 101st East Avenue
 Tulsa, OK 74146
 918-665-2641
 FAX: 918-665-2657

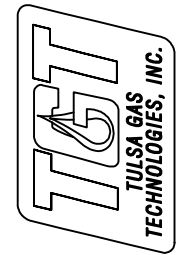


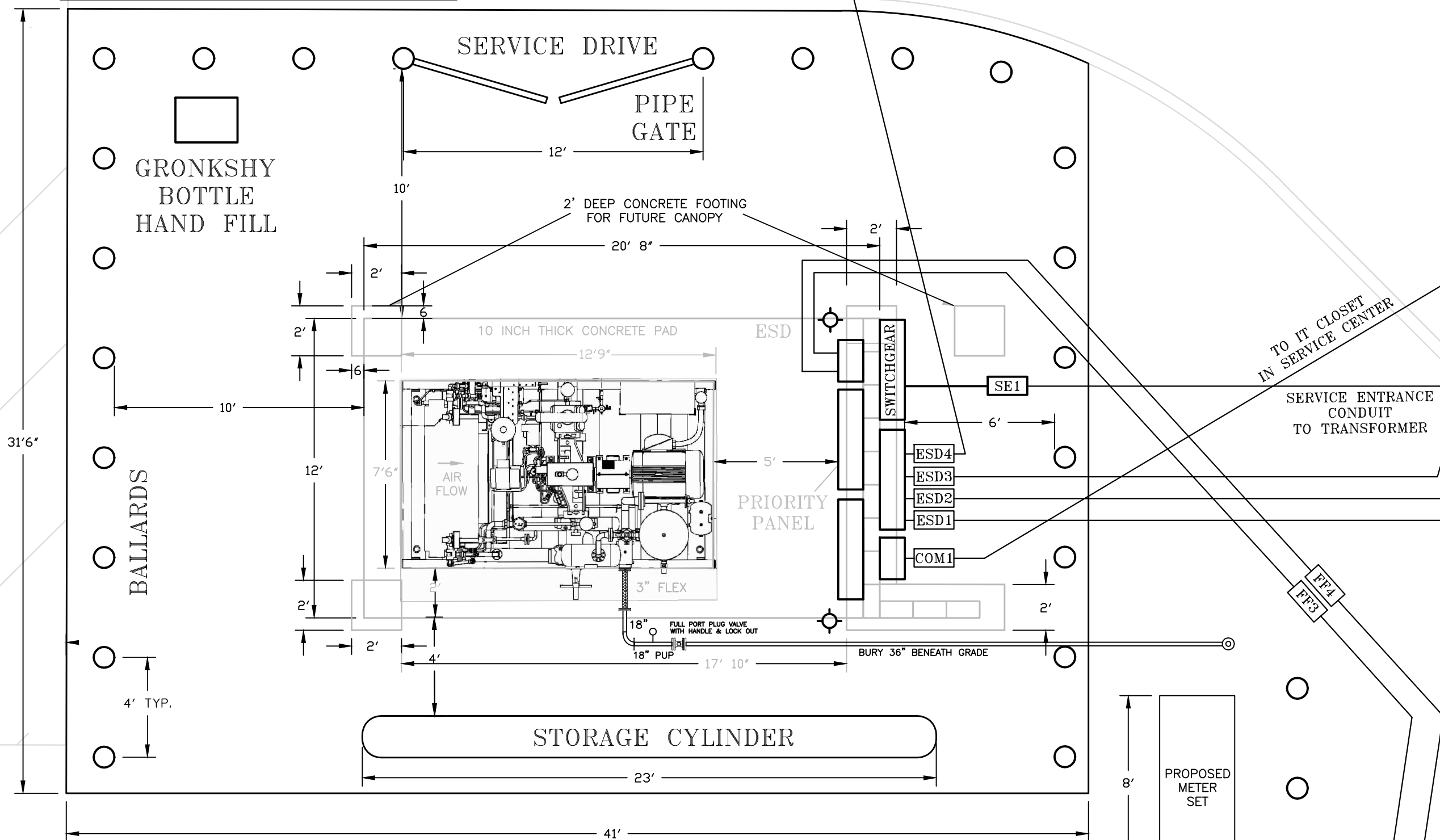


- NOTES:
1. COMPRESSION SUCTION 25 PSI.
 2. MAOP MUST BE AT MINIMUM 60 PSIG.
 3. AT MINIMUM PIPE MUST TEST TO 90 PSIG (1.5 TIMES THE MAOP.)
 4. ABOVE GRADE USE 3" SCHEDULE 40 STEEL
 5. BELOW GRADE PLASTIC MAOP OF MIN.60 PSI

MODEL:	SEQUENCE	DATE
PROGRAM:	APPROVED BY:	05-16-19
SERIAL NO.:	PART:	
WORK ORDER:	DWG. NO. AUSTIN SITE PLAN - ONE GAS SERVICE	
MATERIAL:	CNG M6 GAS FROM COMPR TO METER SET	
G:\STATON SITE PLANS\TGS AUSTIN		

TULSA GAS TECHNOLOGIES, INC.
 4809 South 101st East Avenue
 Tulsa, OK 74146
 918-665-2641
 FAX: 918-665-2657

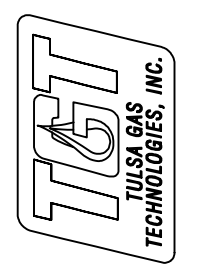


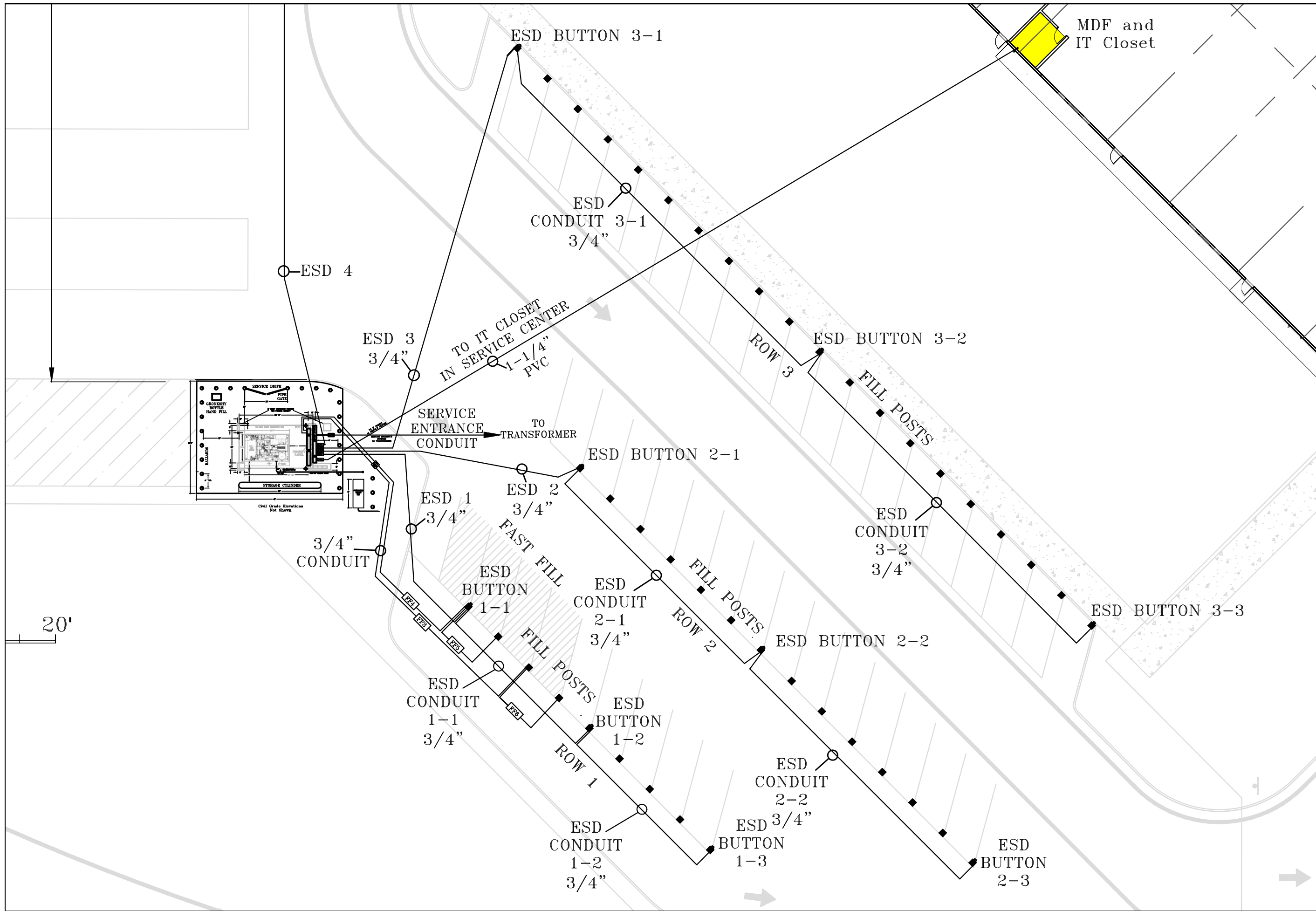


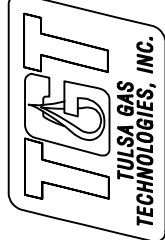
Civil Grade Elevations
Not Shown

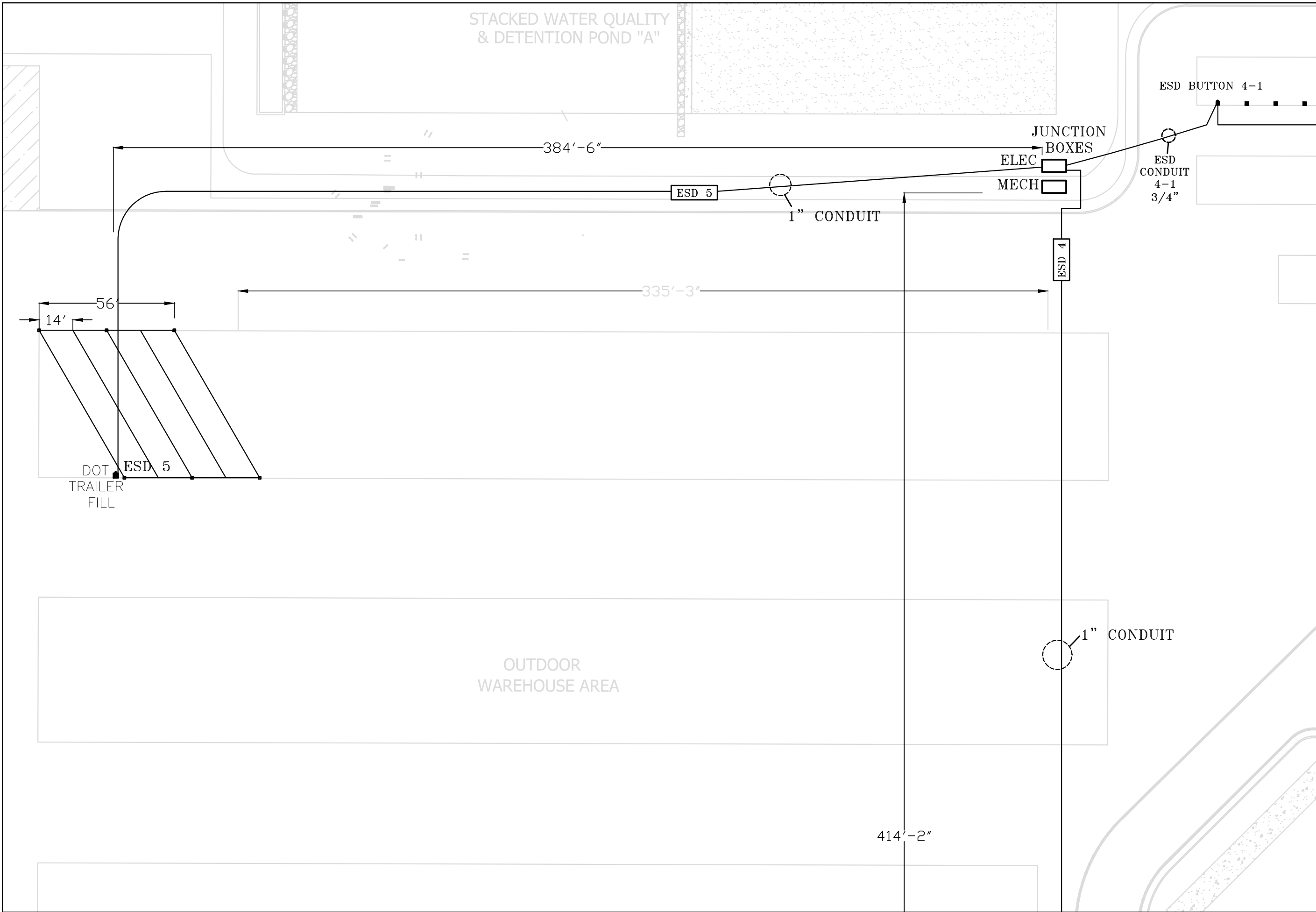
MODEL:	DATE
SEQUENCE -	05-16-19
PROGRAM -	
SERIAL NO. -	
WORK ORDER -	
MATERIAL -	
DRAWN BY: MB	
CHECKED BY: -	
APPROVED BY: -	
PART: -	
DWG. NO. AUSTIN SITE PLAN - ONE GAS SERVICE	
CNG E1	
G:\STATION SITE PLANS\TGS AUSTIN	

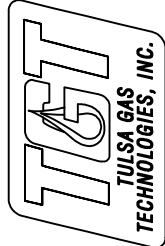
TULSA GAS TECHNOLOGIES, INC.
4809 South 101st East Avenue
Tulsa, OK 74146
918-665-2641
FAX: 918-665-2657

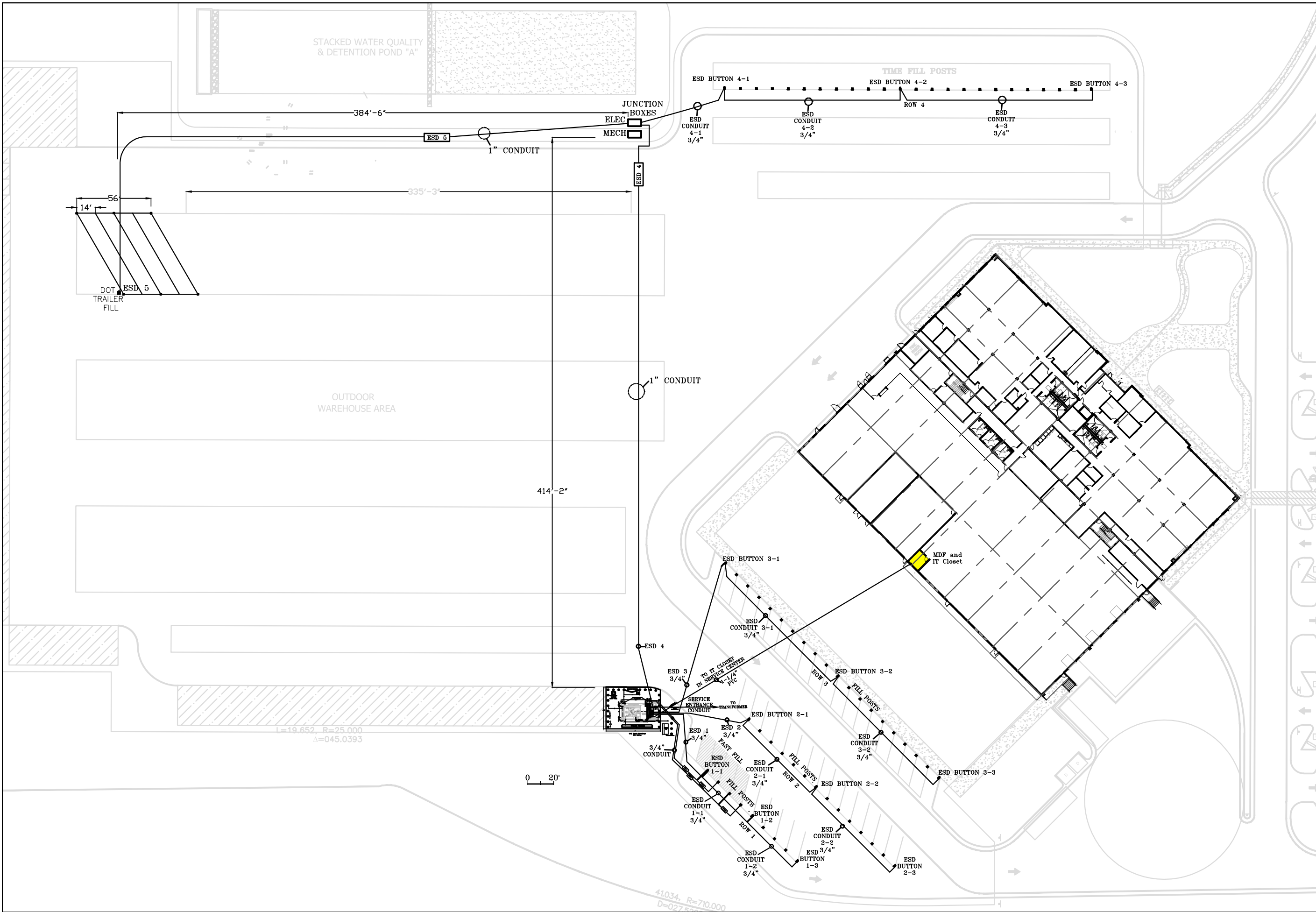




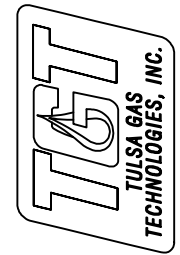
MODEL:	SEQUENCE	-	DATE	05-16-19
	PROGRAM:	-	DRAWN BY:	MB
	SERIAL NO.:	-	CHECKED BY:	-
	WORK ORDER:	-	APPROVED BY:	-
	MATERIAL:	-	PART:	-
TULSA GAS TECHNOLOGIES, INC. 4809 South 101st East Avenue Tulsa, OK 74146 918-665-2641 FAX: 918-665-2657		DWG. NO. AUSTIN SITE PLAN - ONE GAS SERVICE CNG E2		
		G:\STATON SITE PLANS\TGS AUSTIN		

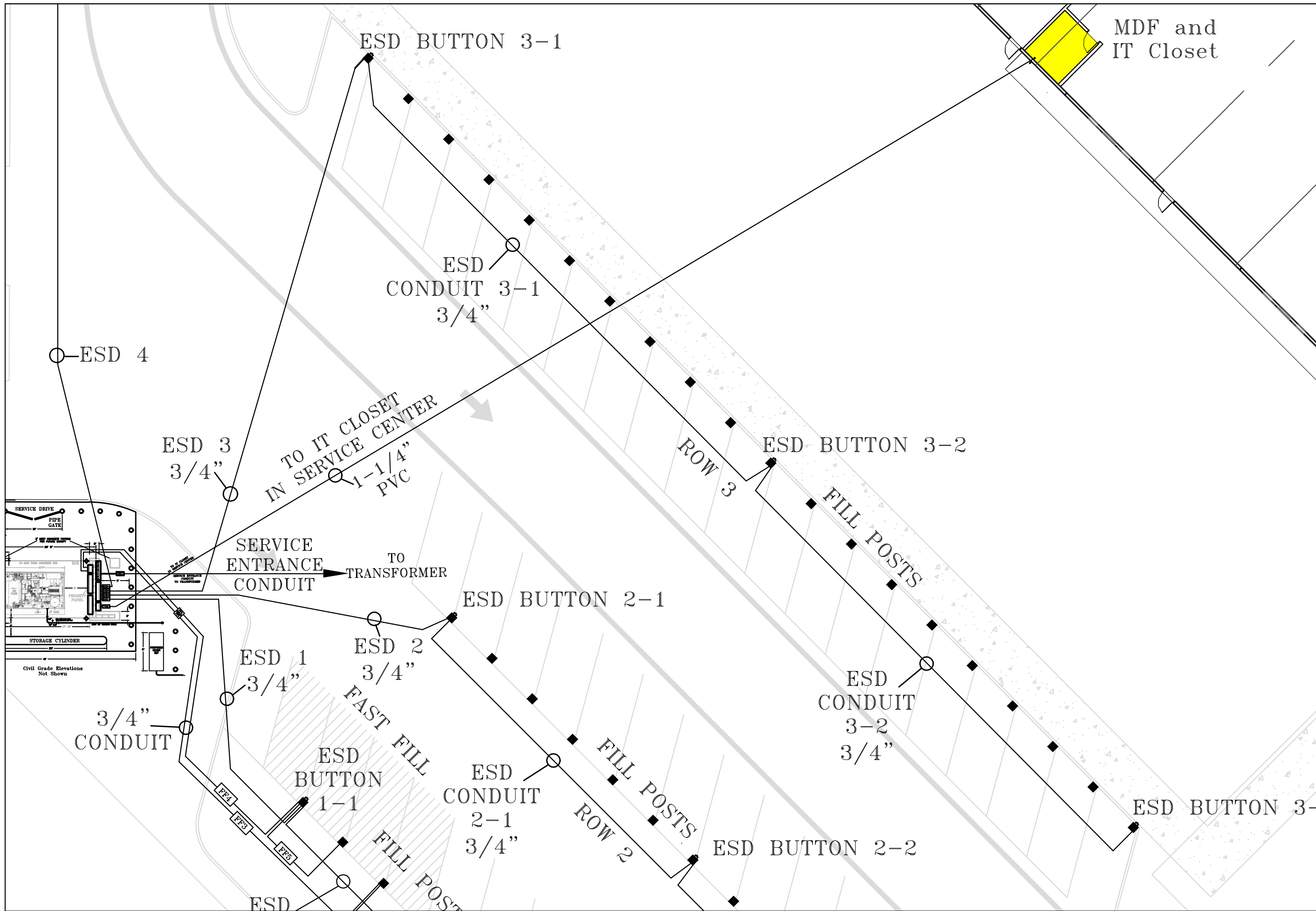



MODEL:	SEQUENCE	-	DATE	05-16-19
	PROGRAM:	-	DRAWN BY:	MB
	SERIAL NO.:	-	CHECKED BY:	-
	WORK ORDER:	-	APPROVED BY:	-
	MATERIAL:	-	PART:	-
TULSA GAS TECHNOLOGIES, INC. 4809 South 101st East Avenue Tulsa, OK 74146 918-665-2641 918-665-2657		DWG. NO. AUSTIN SITE PLAN - ONE GAS SERVICE CNG E4		
		G:\STATON SITE PLANS\TGS AUSTIN		

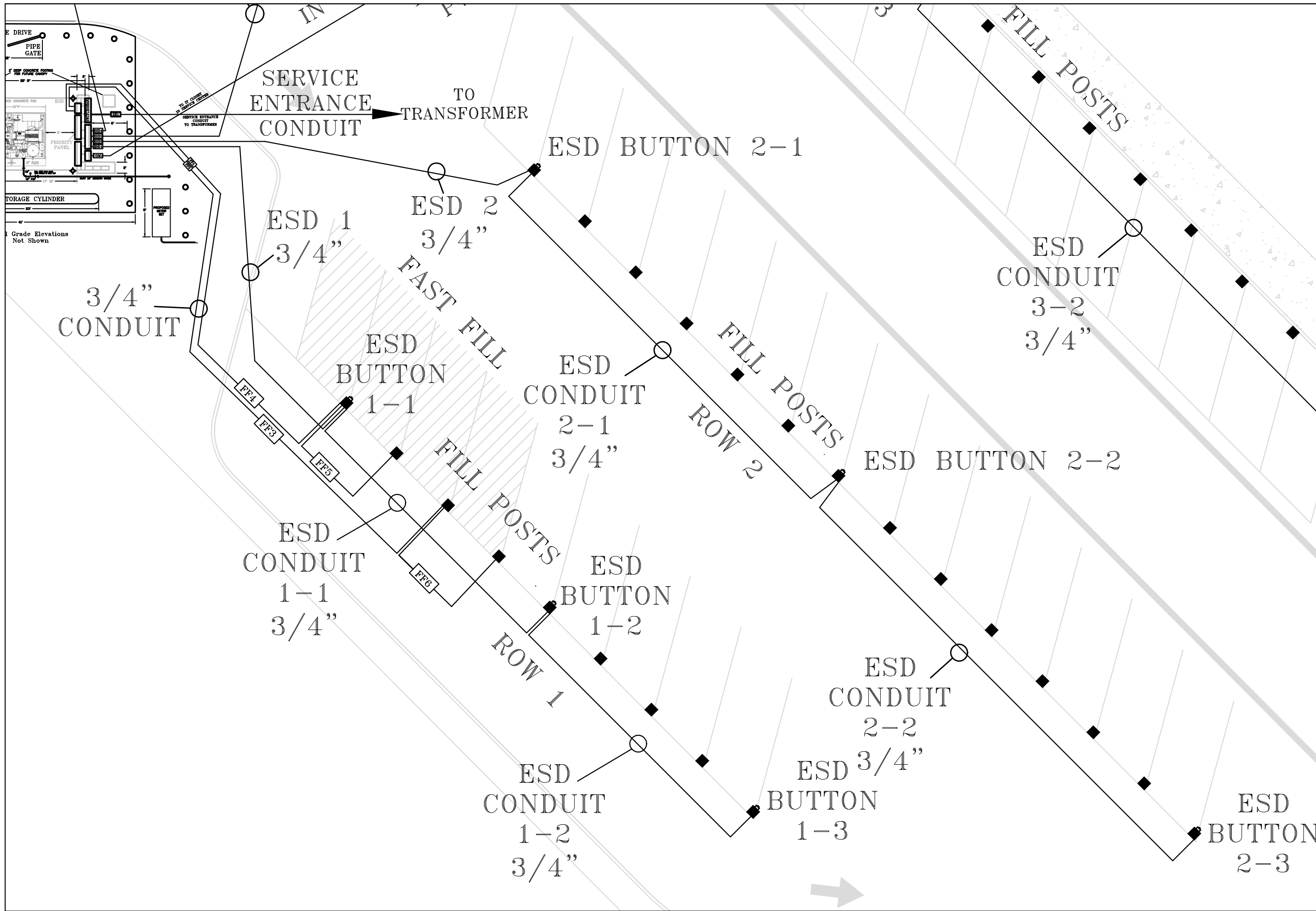


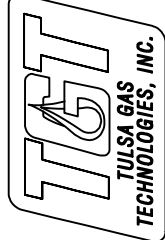
MODEL:	SEQUENCE: -	DATE:	05-16-19
	PROGRAM: -	DRAWN BY:	MB
	SERIAL NO.: -	CHECKED BY:	-
	WORK ORDER: -	APPROVED BY:	-
	MATERIAL: -	PART:	-
TULSA GAS TECHNOLOGIES, INC. 4809 South 101st East Avenue Tulsa, OK 74146 918-665-2641 FAX: 918-665-2657		DWG. NO. AUSTIN SITE PLAN - ONE GAS SERVICE CNG E5	
G:\STATON SITE PLANS\TGS AUSTIN			





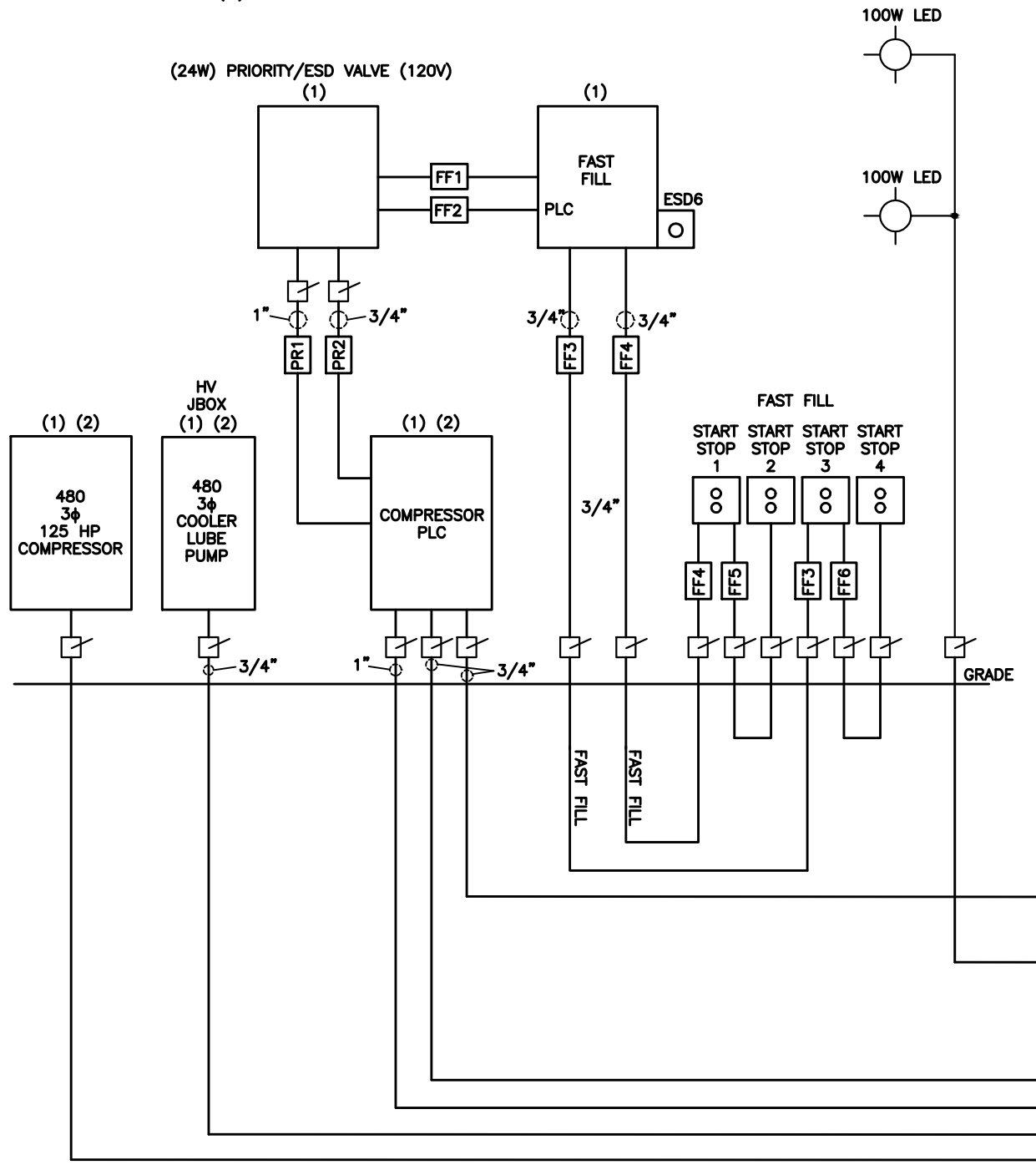
MODEL:	SEQUENCE: -	DATE:	05-16-19
	PROGRAM: -	DRAWN BY:	MB
	SERIAL NO.: -	CHECKED BY:	-
	WORK ORDER: -	APPROVED BY:	-
	MATERIAL: -	PART:	-
		DWG. NO. AUSTIN SITE PLAN - ONE GAS SERVICE	
		CNG E6	
G:\STATON SITE PLANS\TGS AUSTIN			
<p>TULSA GAS TECHNOLOGIES, INC. 4809 South 101st East Avenue Tulsa, OK 74146 918-665-2641 FAX: 918-665-2657</p>  <p>TGT TULSA GAS TECHNOLOGIES, INC.</p>			



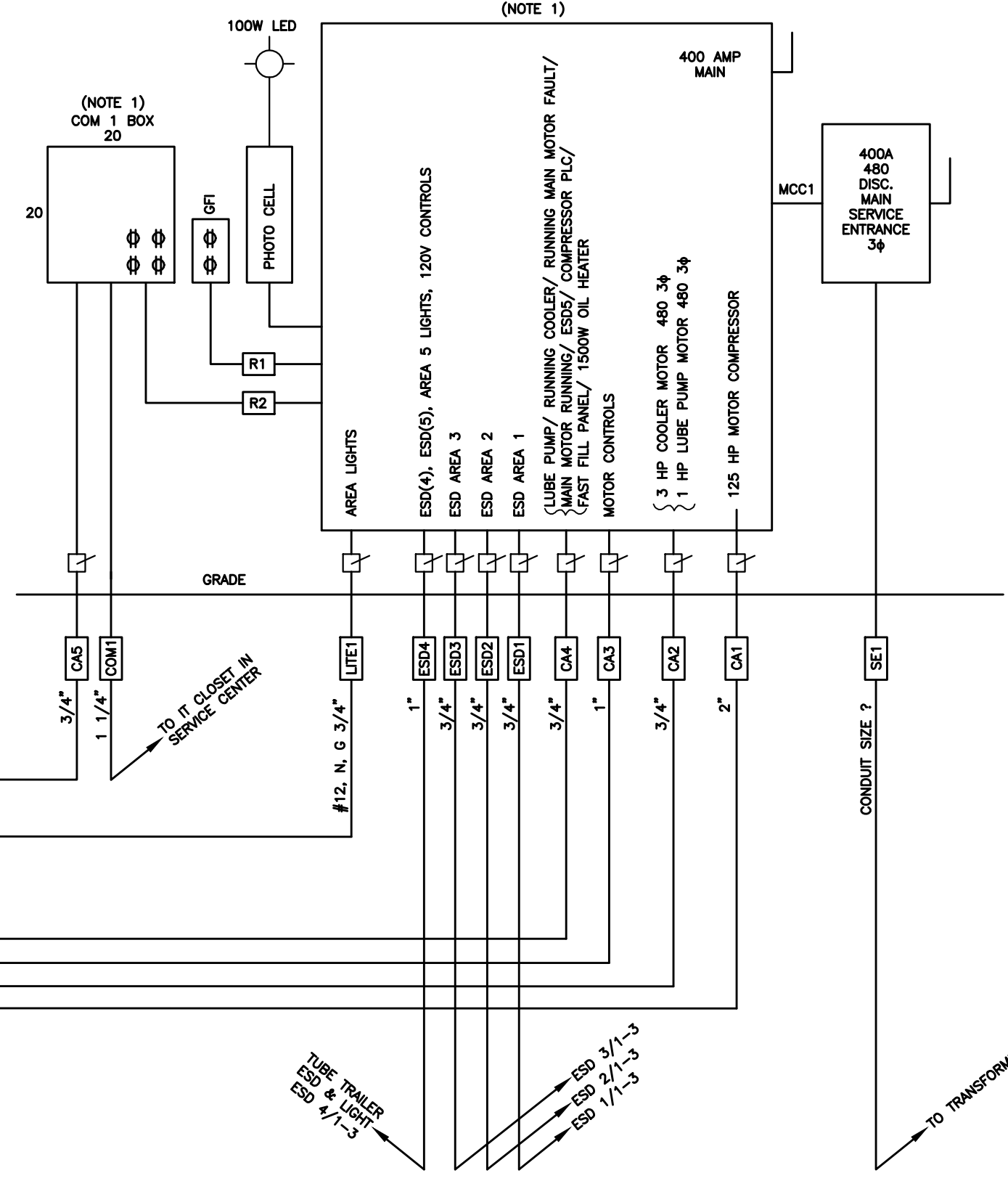
MODEL:	SEQUENCE	DATE
TULSA GAS TECHNOLOGIES, INC. 4809 South 101st East Avenue Tulsa, OK 74146 918-665-2641 FAX: 918-665-2657	PROGRAM:	05-16-19
 TULSA GAS TECHNOLOGIES, INC.	SERIAL NO.:	
	WORK ORDER:	
	MATERIAL:	
	DWG. NO. AUSTIN SITE PLAN - ONE GAS SERVICE	
	CNG E8	
	G:\STATON SITE PLANS\TGS AUSTIN	
	DRAWN BY: MB	
	CHECKED BY: -	
	APPROVED BY: -	

CLASS 1, DIV 2, GROUP D

NOTE: (1) SUPPLIED BY TGT
(2) ON SKID

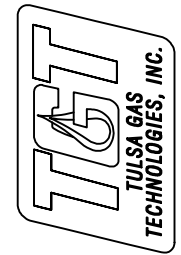


NON CLASS RATED

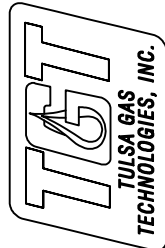


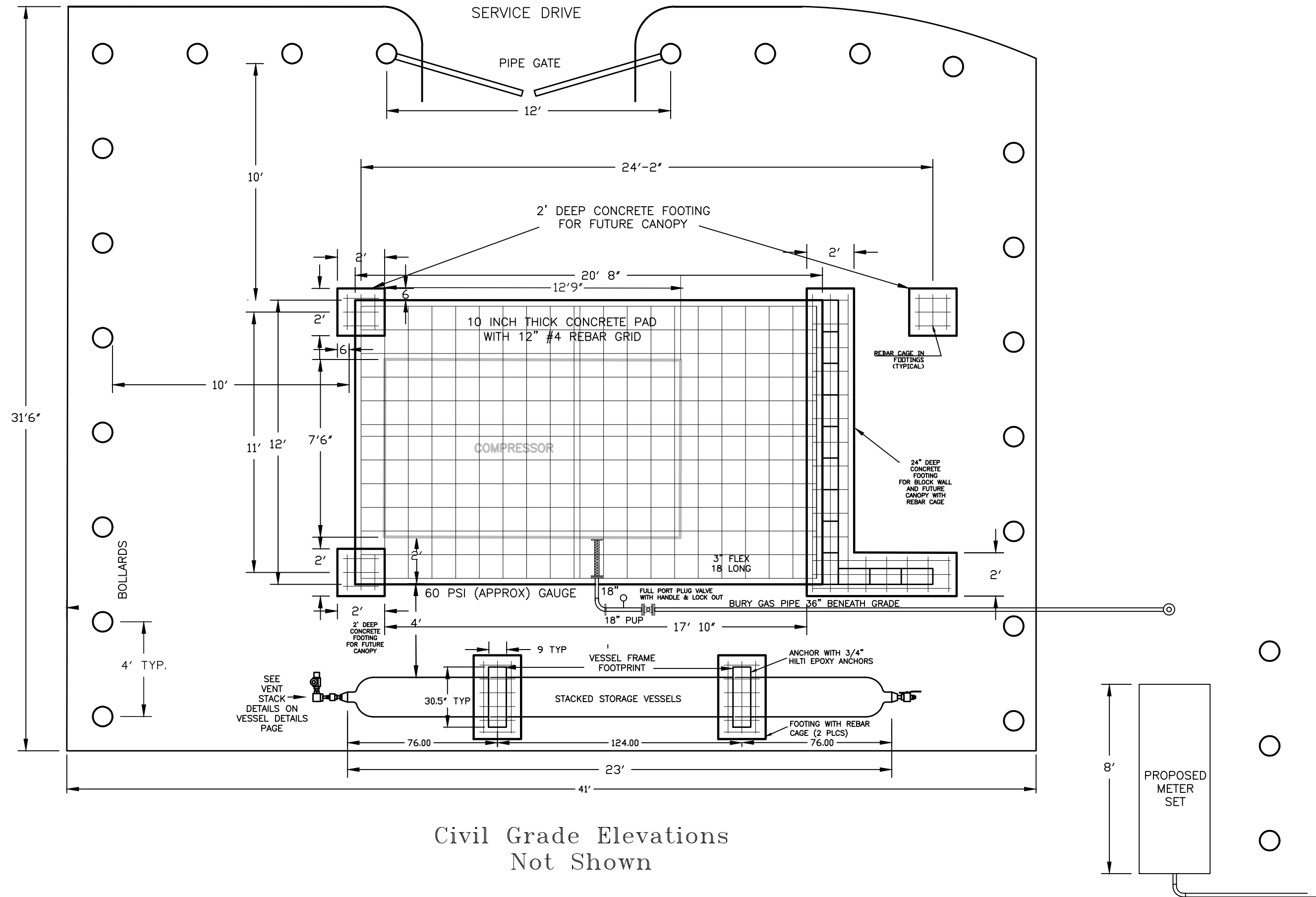
TUBE TRAILER
ESD & LIGHT
ESD 4/1-3
ESD 3/1-3
ESD 2/1-3
ESD 1/1-3

TO TRANSFORMER

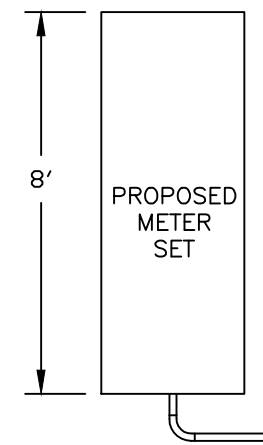
MODEL:	SEQUENCE	DATE
TULSA GAS TECHNOLOGIES, INC. 4809 South 101st East Avenue Tulsa, OK 74146 918-665-2641 FAX: 918-665-2657	PROGRAM:	05-16-19
	SERIAL NO.:	
	WORK ORDER:	
	MATERIAL:	
	CONDUIT SIZE ?	
DRAWN BY: MB CHECKED BY: - APPROVED BY: - PART: - DWG. NO. AUSTIN SITE PLAN - ONE GAS SERVICE CNG E9		G:\STATION SITE PLANS\TGS AUSTIN

Conduit and Wire Schedule									
Conduit No.	Size	Phase	(No.) & Size of Wires	Ground	Voltage	From	To	Funtion/Comments	
SE1	?	3	TBD by PEC Engineering	1/0 AWG	480	Utility Transformer	Main Service Disconnect 300 amp FUSE	400 amp Service Entrance	
MCC1	4"	3	(3) 500 kcmil	1/0 AWG	480	Main disconnect (load)	Motor Control Cabinet Main Breaker	MCC Feeder conductors	
CA1	2"	3	(3) 2/0	#6	480	Motor Control Cabinet	Compressor 125HP Motor	Motor voltage	
CA2	3/4"	3	(3) 12	#12	480	Motor Control Cabinet	HV Junction Box Cooler Fan	Cooler Motor 3HP	
CA2	3/4"	3	(3) 12	#12	480	Motor Control Cabinet	HV Junction Box Lube Pump	Pre Lube Motor 1HP	
CA3	1"	LV	(12) 14	#12	24	Motor Control Cabinet	Compressor PLC	Control wires for motors, Spares	
CA4	1"	1	(18) 12	#12	120	Motor Control Cabinet	Compressor PLC	PLC controls, Lube Oil Heater, Fast Fill Controls PLC, Lube pump Running, Coler Fan Running, Main Motor Running, Main Motor Fault, spares	
CA5	3/4"	1	(2) Cat 6	#12	LV	Communication Box	Ethernet for Red Lion HMI (Internet)	Remote Cominication to Compressor PLC	
CA6									
COM1	3/4"		(2) Cat 6 cables			Internet / Ethernet Service	IT closet in service center	remote communication to compressor from OneGas Network.	
ESD1	3/4"		(2) 12	#12	120	Motor Control Cabinet ESD Relay #	ESD at Slow Fill ESD 1-1	ESD Loop Wiring	
ESD1-1	3/4"		(2) 12	#12	120	ESD at Slow Fill ESD 1-1	ESD at Slow Fill ESD 1-2	ESD Loop Wiring	
ESD1-2	3/4"		(2) 12	#12	120	ESD at Slow Fill ESD 1-2	ESD at Slow Fill ESD 1-3	ESD Loop Wiring	
ESD2	3/4"		(2) 12	#12	120	Motor Control Cabinet ESD Relay #	ESD at Slow Fill ESD2-1	ESD Loop Wiring	
ESD2-1	3/4"		(2) 12	#12	120	ESD at Slow Fill ESD2-1	ESD at Slow Fill ESD2-2	ESD Loop Wiring	
ESD2-2	3/4"		(2) 12	#12	120	ESD at Slow Fill ESD2-2	ESD at Slow Fill ESD2-3	ESD Loop Wiring	
ESD3	3/4"		(2) 12	#12	120	Motor Control Cabinet ESD Relay #	ESD at Slow Fill ESD 3-1	ESD Loop Wiring	
ESD3-1	3/4"		(2) 12	#12	120	ESD at Slow Fill ESD 3-1	ESD at Slow Fill ESD 3-2	ESD Loop Wiring	
ESD3-2	3/4"		(2) 12	#12	120	ESD at Slow Fill ESD 3-2	ESD at Slow Fill ESD 3-3	ESD Loop Wiring	
ESD4	1"		(8) 12	#12	120	Motor Control Cabinet ESD Relay #	ESD at Slow fill area 4 and ESD CNG Trailer area 5, Lighting in area 5, 120 volt cucurit for pressure controls Area 5.	ESD at Slow fill area 4 and ESD CNG Trailer area 5, Lighting in area 5, 120 volt cucurit for pressure controls Area 5.	
ESD4-1	3/4"		(2) 12	#12	120	Juntion box (Inground)	ESD at Slow Fill ESD 4-1	ESD Loop Wiring	
ESD4-2	3/4"		(2) 12	#12	120	ESD at Slow Fill ESD 4-1	ESD at Slow Fill ESD 4-2	ESD Loop Wiring	
ESD4-3	3/4"		(2) 12	#12	120	ESD at Slow Fill ESD 4-2	ESD at Slow Fill ESD 4-3	ESD Loop Wiring	
ESD5	1"		(6) 12	#12	120	Juntion box (Inground)	ESD5		
R1	1/2"	1	(2) 12	#12	120	Motor Control Cabinet	Convience Recpt	GFCI Convience Recpt	
R2	1/2"	1	(2) 12	#12	120	Motor Control Cabinet	Quad recpt at Comm panel	120 AC Communication control	
PR1	3/4"	120	(2) 12	#12	120	Priority, ESD Valve Panel	Fast Fill PLC Panel	ESD solenoid valve controls from ESD Control Panel (ESD)	
PR2	1"	LV	(5) Sheilded twisted pair #18	#12	24DC	Priority panel PSI transducers	Compressor PLC Panel	PSI transducers 4-20MA	
PR2		LV	(8) 14	#12	24DC	Priority Panel Spriorty Sol Valves	Compressor PLC Panel	Priority Valve control wires	
FF1	3/4"	LV	(2) 12	#12	120	Motor Control Center	FastFill Control panel VIA CA4	Control panel power	
FF2	3/4"	LV	Spare			Priority Panel	Fast Fill Panel	Spare	
FF3	3/4"	LV	(12) 14	#12	24DC	Fast Fill control panel	Start/ Stop button hose FF 3	Controls for fast fill post	
FF4	3/4"	LV	(12) 14	#12	24DC	Fast Fill control panel	Start/ Stop button hose FF 1	Controls for fast fill post	
FF5	3/4"	LV	(6) 14	#12	24DC	Start/ Stop button hose FF 1	Start/ Stop button hose FF 2	Controls for fast fill post	
FF6	3/4"	LV	(6) 14	#12	24DC	Start/ Stop button hose FF 3	Start/ Stop button hose FF 4	Controls for fast fill post	

DATE	05-16-19
DRAWN BY:	MB
CHECKED BY:	-
APPROVED BY:	-
PART:	-
DWG. NO. AUSTIN SITE PLAN - ONE GAS SERVICE	CNG E10
G:\STATON SITE PLANS\TGS AUSTIN	
	
TULSA GAS TECHNOLOGIES, INC. 4809 South 101st East Avenue Tulsa, OK 74146 918-665-2641 918-665-2657 FAX: 918-665-2657	

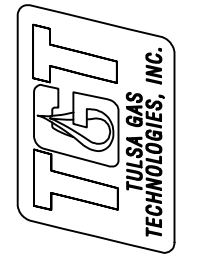


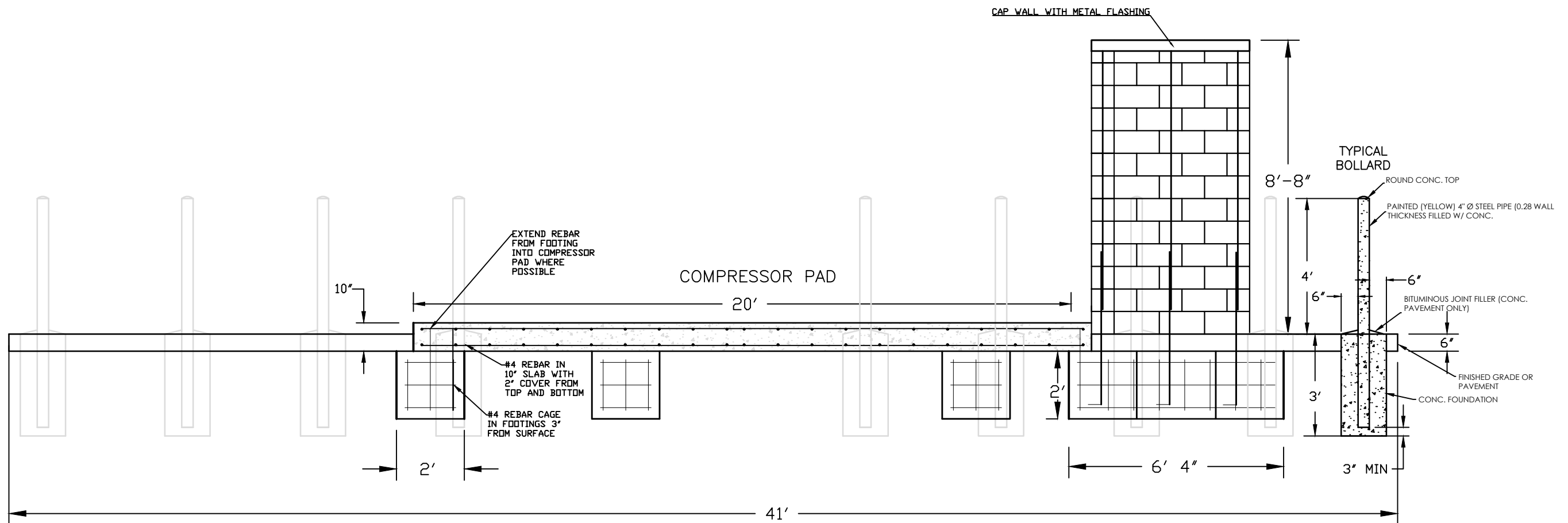
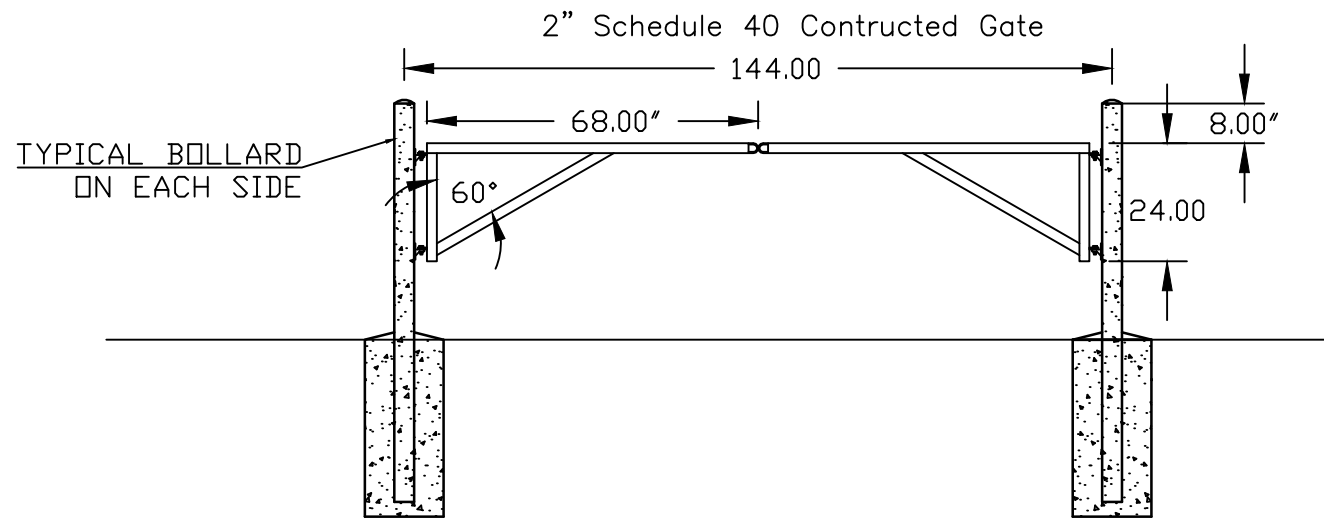
Civil Grade Elevations
Not Shown



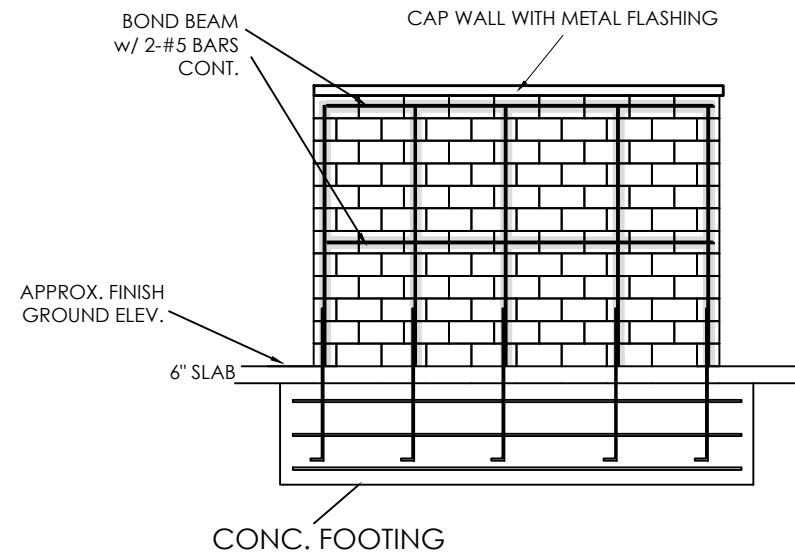
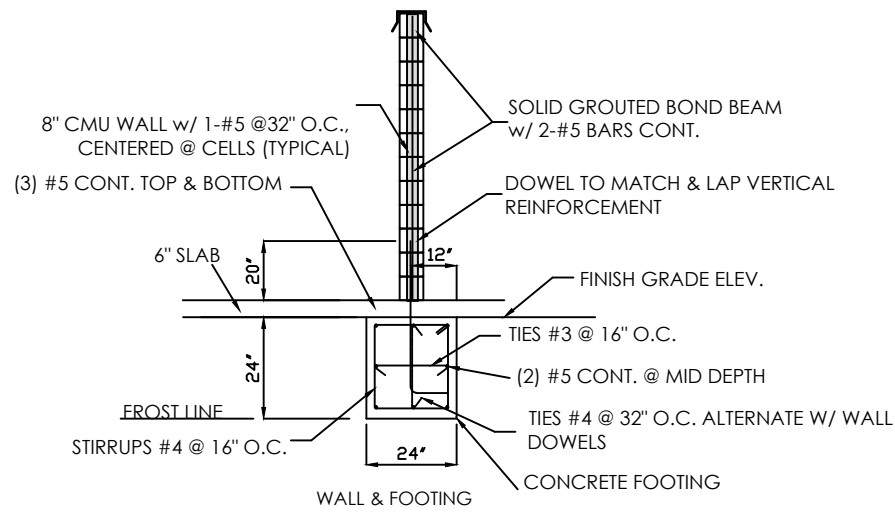
MODEL:	DATE
SEQUENCE -	05-16-19
PROGRAM -	
SERIAL NO. -	
WORK ORDER -	
MATERIAL -	
DRAWN BY: MB	
CHECKED BY: -	
APPROVED BY: -	
PART: -	
DWG. NO. AUSTIN SITE PLAN - ONE GAS SERVICE	
CNG C1 AERIAL VIEW CONCRETE	
G:\STATION SITE PLANS\TGS AUSTIN\AUSTIN SITE PAN - ONE GAS SERVICE.DWG	

TULSA GAS TECHNOLOGIES, INC.
4809 South 101st East Avenue
Tulsa, OK 74146
918-665-2641
FAX: 918-665-2657



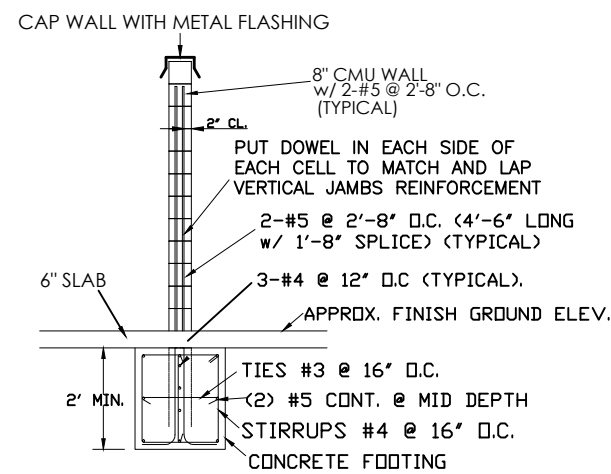
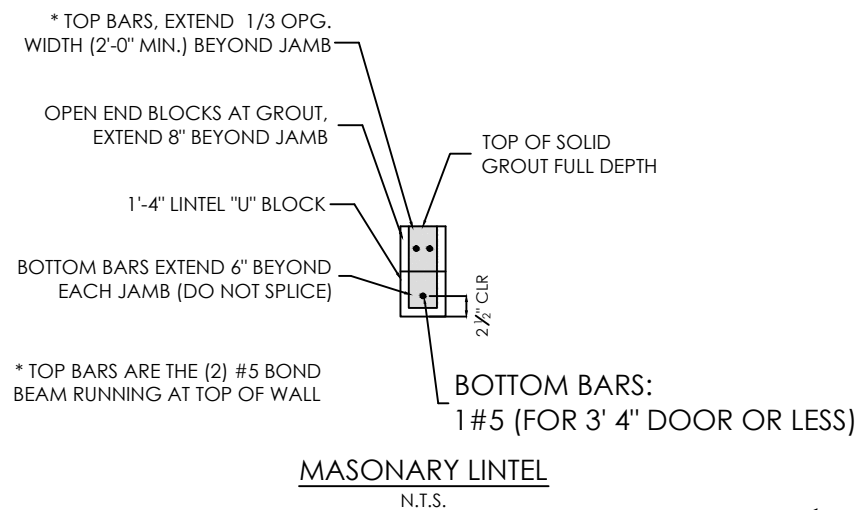
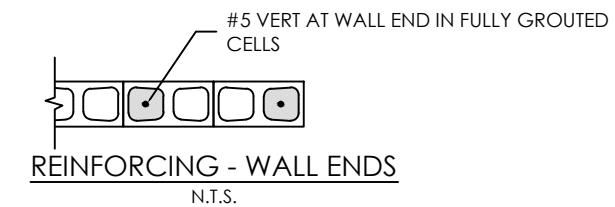
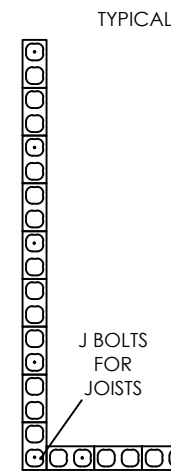


MODEL:	SEQUENCE	DATE
	—	05-16-19
PROGRAM:	—	
SERIAL NO.:	—	
WORK ORDER:	—	
MATERIAL:	—	
G:\STATION SITE PLANS\TGS AUSTIN\AUSTIN SITE PAN - ONE GAS SERVICE.DWG		
TGT TULSA GAS TECHNOLOGIES, INC. 4809 South 101st East Avenue Tulsa, OK 74146 918-665-2641 918-665-2657		
DRAWN BY: MB CHECKED BY: — APPROVED BY: — PART: — DWG. NO. AUSTIN SITE PLAN - ONE GAS SERVICE CNG C2 HORIZONTAL VIEW CONCRETE		

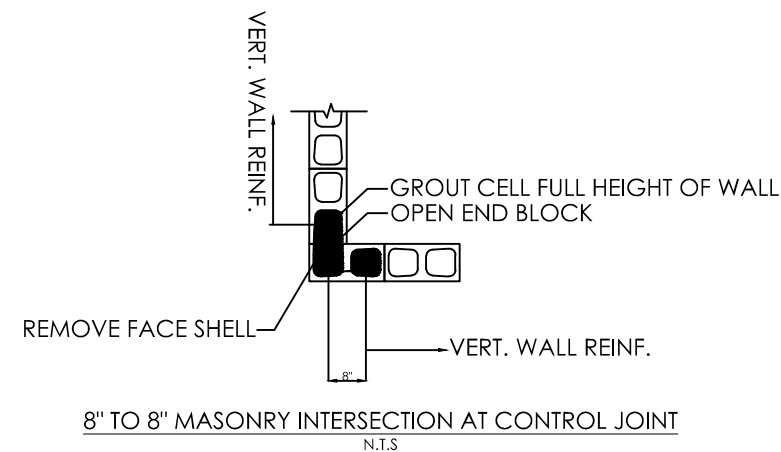
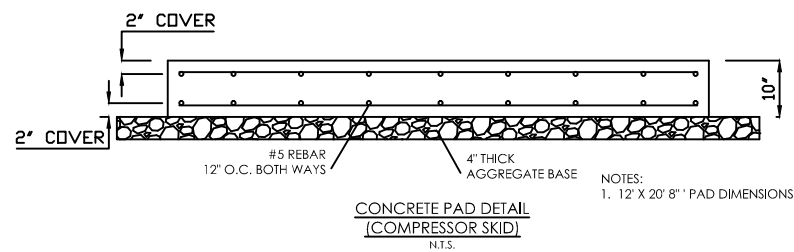


WALL DETAILS
 N.T.S.

TOP VIEW

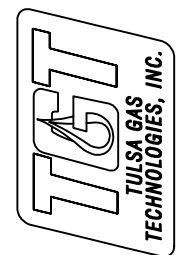


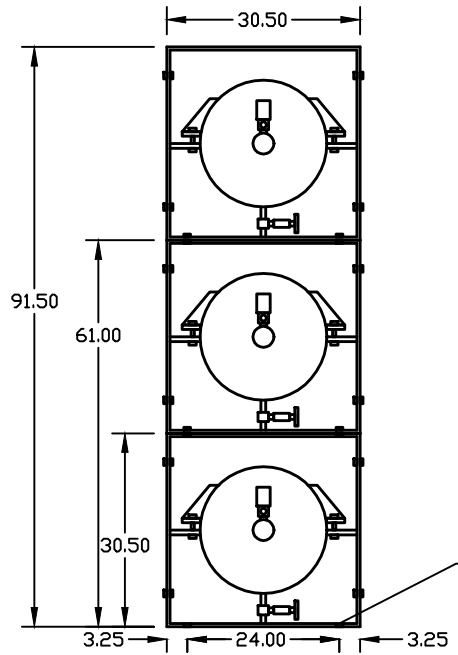
- WALL NOTES:**
 WALL SHALL BE WEATHER SEALED.
- STRUCTURAL GENERAL NOTES:**
1. REINFORCED CONCRETE:
 $F'_c = 4,000$ P.S.I. (28 DAY) W/C RATIO < 0.47
 2. REINFORCING STEEL: GRADE 60 STEEL
 3. MASONRY:
 NORMAL WEIGHT CONCRETE MASONRY UNITS
 1) $F'_m = 1500$ P.S.I.
 2) $F_b = 500$ P.S.I.
 B. GROUT AND MORTAR
 1) 28 DAY COMPRESSIVE STRENGTH GROUT 2,000 P.S.I.
 2) 28 DAY COMPR. STRENGTH TYPE "S" MORTAR = 1,800 P.S.I.
 3) 28 DAY COMPR. STRENGTH TYPE "M" MORTAR = 2,500 P.S.I.
 4. WIND LOADING FOR WALL, ROOF AND GATES:
 USE 2006 INTERNATIONAL BUILDING CODE WITH $I_w = 0.87$
 BASIC WIND SPEED OF 90 M.P.H. EXPOSURE "C"



MODEL:	MB	DATE:	05-16-19
SEQUENCE:	-	CHECKED BY:	-
PROGRAM:	-	APPROVED BY:	-
SERIAL NO.:	-	PART:	-
WORK ORDER:	-	DWG. NO. AUSTIN SITE PLAN - ONE GAS SERVICE	
MATERIAL:	-	CNG D1 WALL DETAIL	
		G:\STATION SITE PLANS\TGS AUSTIN	

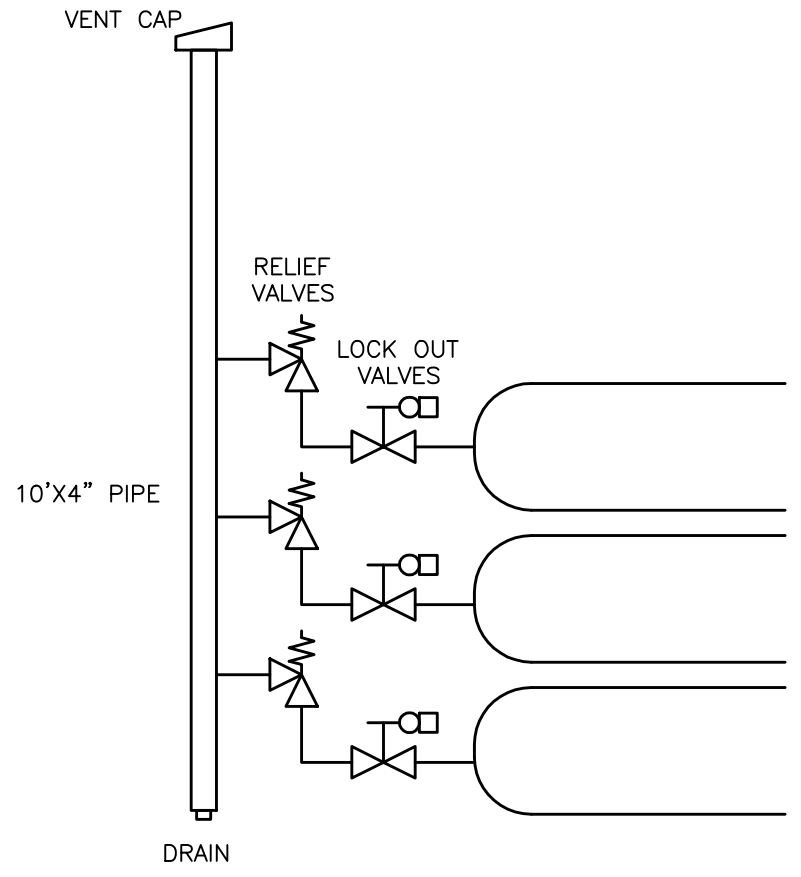
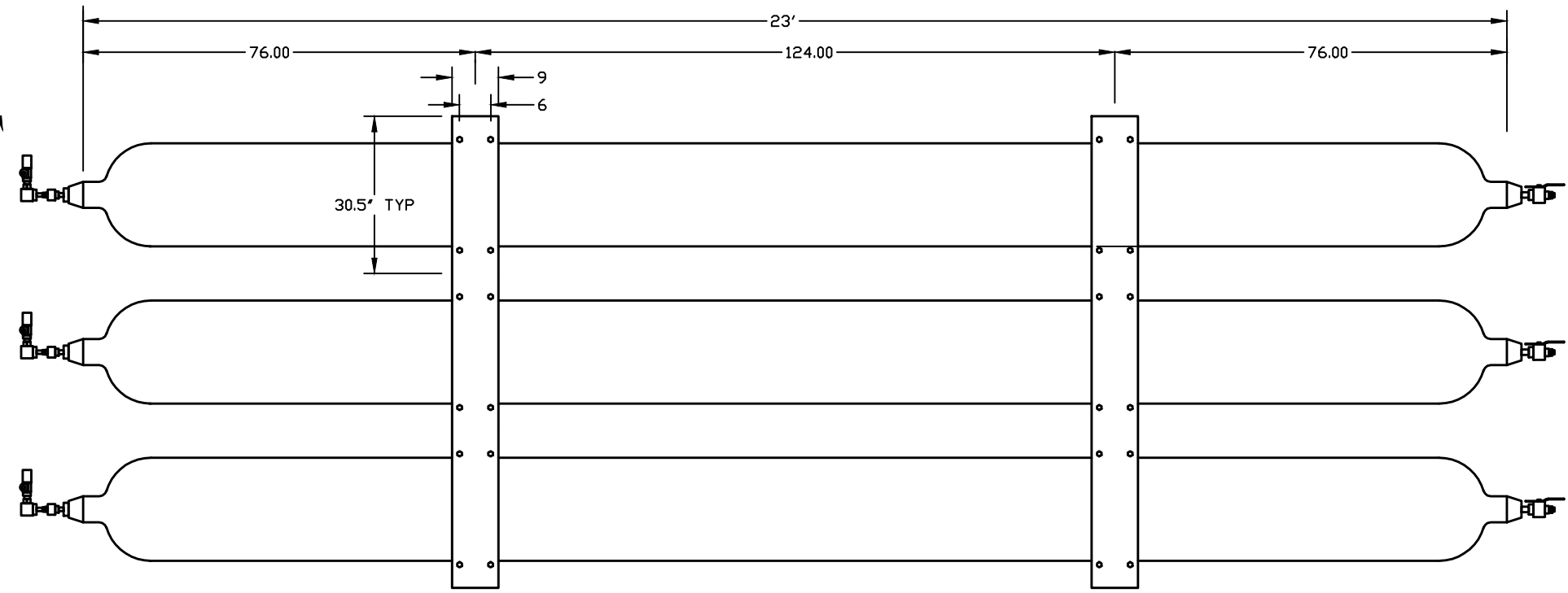
TULSA GAS TECHNOLOGIES, INC.
 4809 South 101st East Avenue
 Tulsa, OK 74146
 918-665-2641
 918-665-2657
 FAX: 918-665-2657





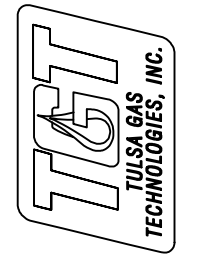
SAFETY RELIEF VALVE
SET PRESSURE 5500 PSIG
TYPICAL EACH VESSEL

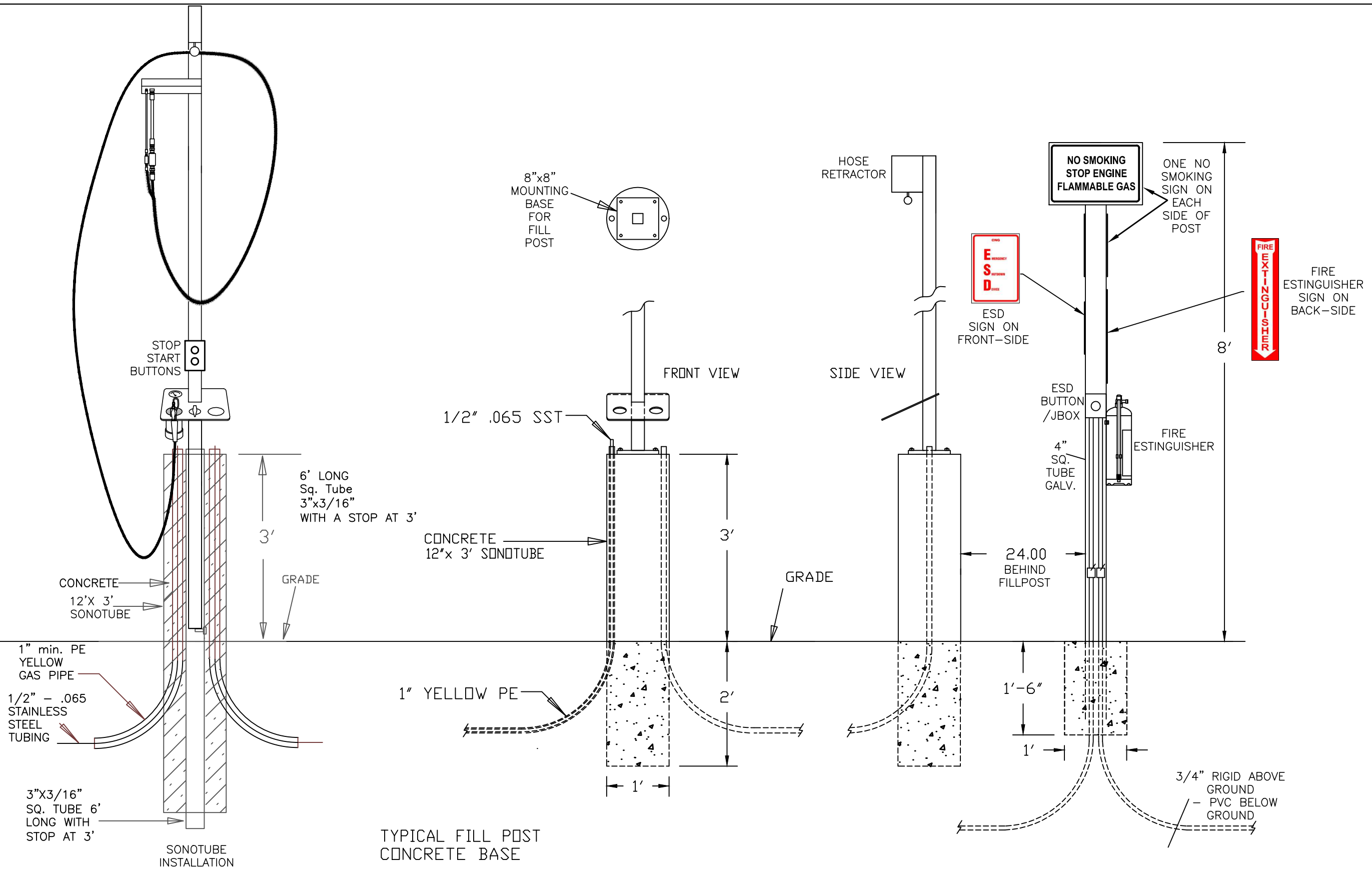
1 1/8" DIA HOLE
(16 PLACES EACH FRAME)



MODEL:	DRAWN BY: MB	DATE
SEQUENCE: -	CHECKED BY: -	05-16-19
PROGRAM: -	APPROVED BY: -	
SERIAL NO.: -	PART: -	
WORK ORDER: -	DWG. NO. AUSTIN SITE PLAN - ONE GAS SERVICE	
MATERIAL: -	CNG D2 VESSEL	
G:\STATION SITE PLANS\TGS AUSTIN		

TULSA GAS TECHNOLOGIES, INC.
4809 South 101st East Avenue
Tulsa, OK 74146
918-665-2641
FAX: 918-665-2657





MODEL:	SEQUENCE:	DATE:
PROGRAM:	CHECKED BY: -	05-16-19
SERIAL NO.:	APPROVED BY: -	
WORK ORDER:	PART: -	
MATERIAL:	DWG. NO. AUSTIN SITE PLAN - ONE GAS SERVICE	
	CNG D3 FILL POSTS	
	G:\STATION SITE PLANS\TGS AUSTIN	

TULSA GAS TECHNOLOGIES, INC.
 4809 South 101st East Avenue
 Tulsa, OK 74146
 918-665-2641
 918-665-2657

