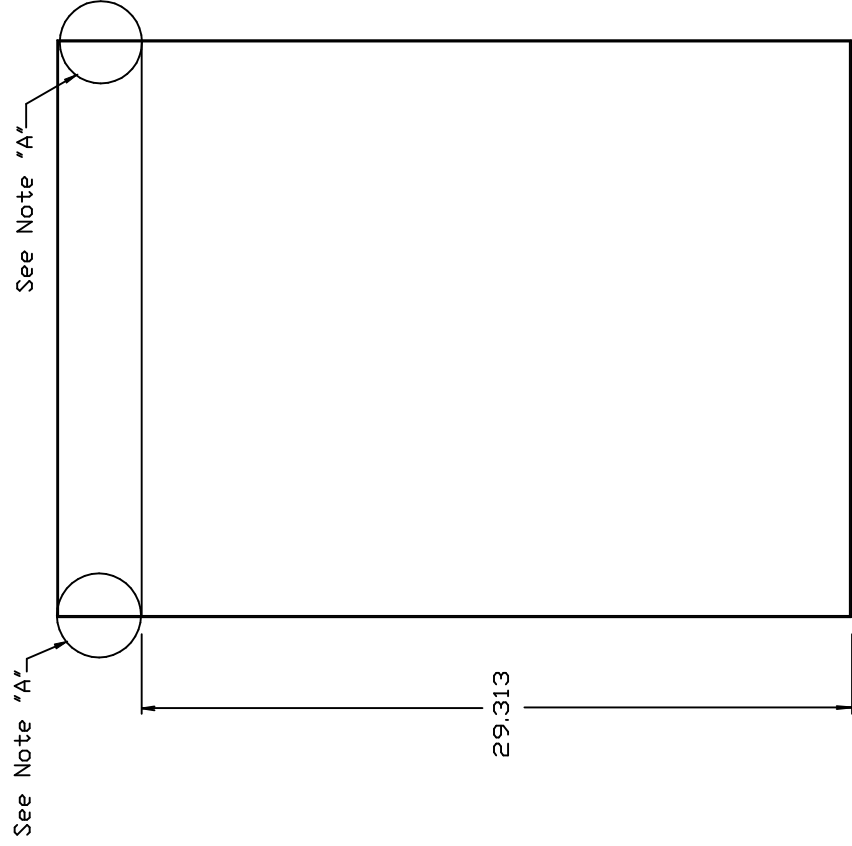
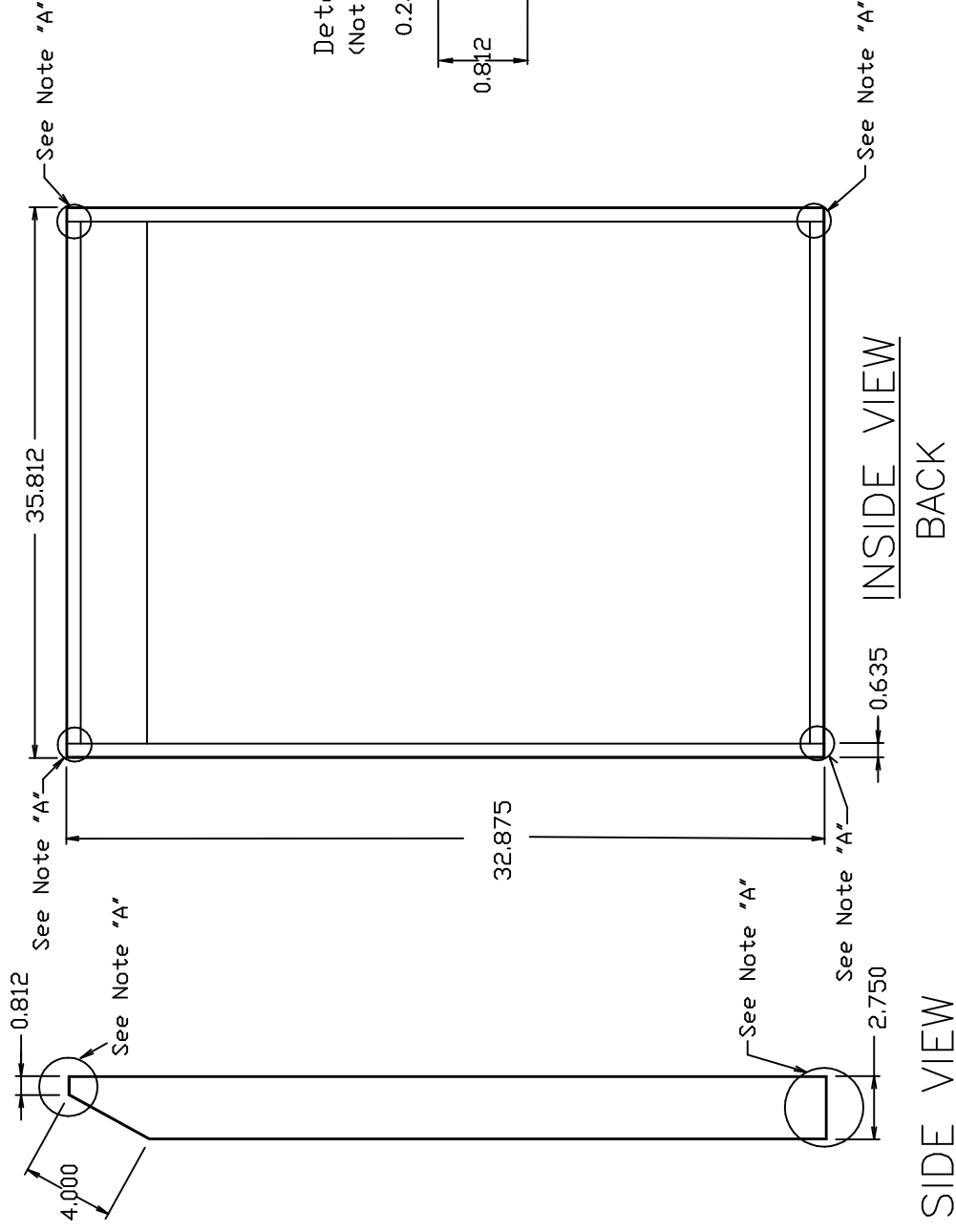


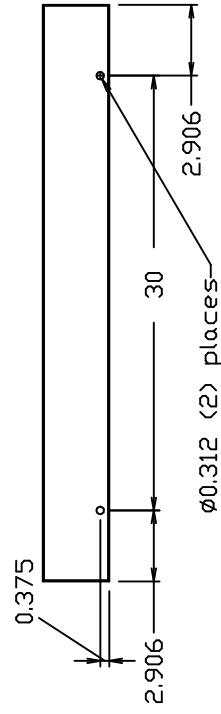
TOP VIEW



FRONT VIEW

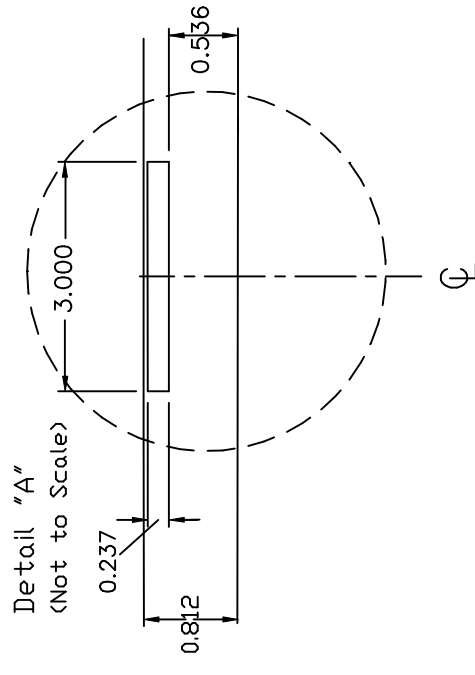


Not to Scale



Note: (2) each per assembly.

Note "A": Grind Weld Smooth



See Note "A"

INSIDE VIEW
BACK



TULSA GAS TECHNOLOGIES, INC.
4809 South 101st East Avenue
Tulsa, OK 74146
(918) 665-2641

| MODEL: | TGT-7000-DH100 | DRAWN BY: | MB | DATE |
|--------------------------------|----------------|--------------|-----------|---------------|
| SEQUENCE: | - | CHECKED BY: | CS | - |
| PROGRAM: | - | APPROVED BY: | - | - |
| SERIAL NO.: | - | DWG/PART NO. | TGT-7015D | - |
| WORK ORDER: | - | | | rev. 08-29-07 |
| Note A: Weld and grind smooth. | | | | |
| MATERIAL: Stainless Steel | | | | |