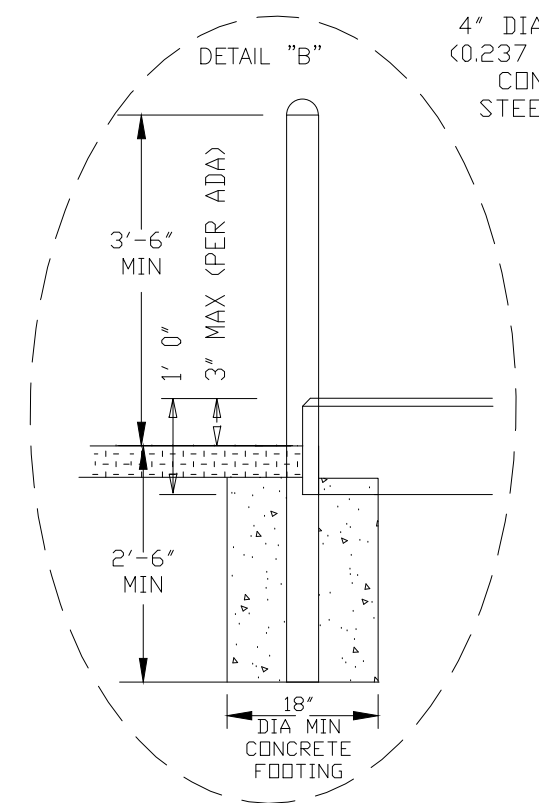
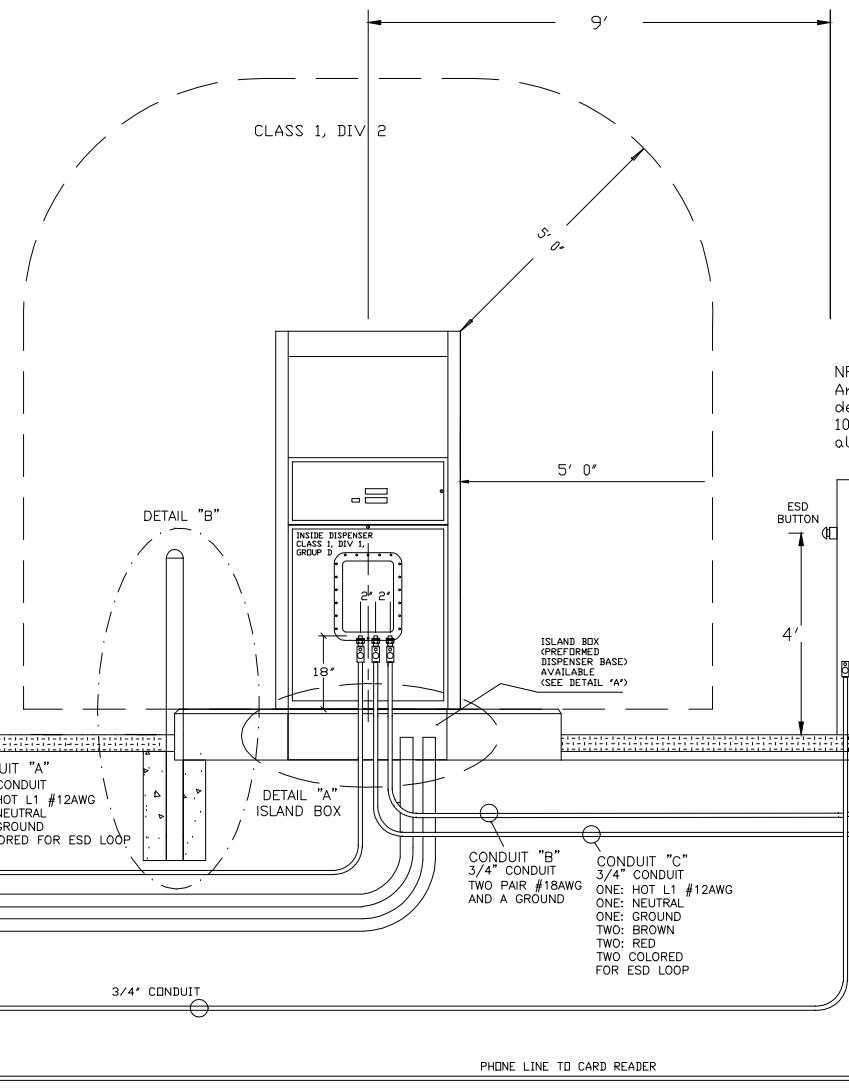


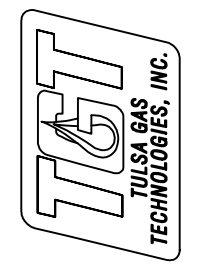
NATIONAL ELECTRICAL CODE ARTICLE 501-a4
 (4) In each conduit run leaving the Class I, Division 1 location. The sealing fitting shall be permitted on either side of the boundary of such location within 10 ft (3.05 m) of the boundary but shall be so designed and installed to minimize the amount of gas or vapor that may have entered the conduit system within the Division 1 location from being communicated to the conduit beyond the seal. There shall be no union, coupling, box, or fitting, except approved explosionproof reducers at the sealing fitting, in the conduit between the sealing fitting and the point at which the conduit leaves the Division 1 location.



NFPA 52, 2013 EDITION 7.11.5:
 An emergency manual shutdown device shall be provided within 10 ft of the dispensing area and also greater than 25 ft.

MODEL:	SEQUENCE	—	DRAWN BY:	MB	DATE	09-09-13
	PROGRAM:	—	CHECKED BY:	—		
	SERIAL NO.:	—	APPROVED BY:	—		
	WORK ORDER:	—	PART:	—		
	MATERIAL:	—	DWG. NO.:	Island Conduit for 1 Dispenser		

TULSA GAS TECHNOLOGIES, INC.
 4809 South 101st East Avenue
 Tulsa, OK 74146
 918-665-2641
 FAX: 918-665-2657



Server/TGT Dwgs & Art/Startup Drawings/Island Conduit for 1 Dispenser