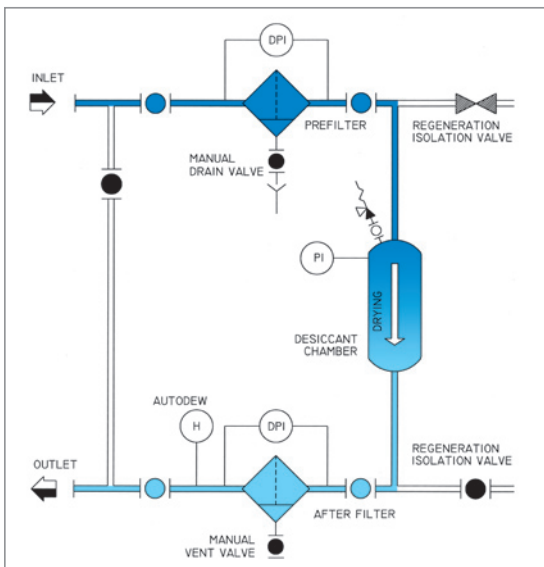


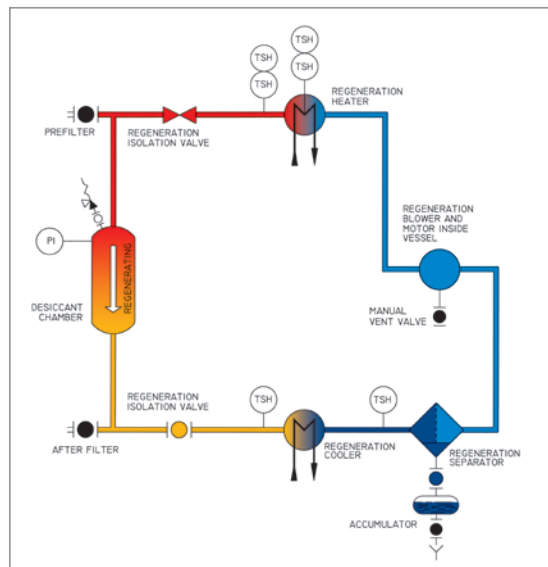
## Natural Gas Dryers for NGV Fueling Stations – Flow Schematics

### STVNGX and STRNGX MODELS

**Adsorption Cycle**

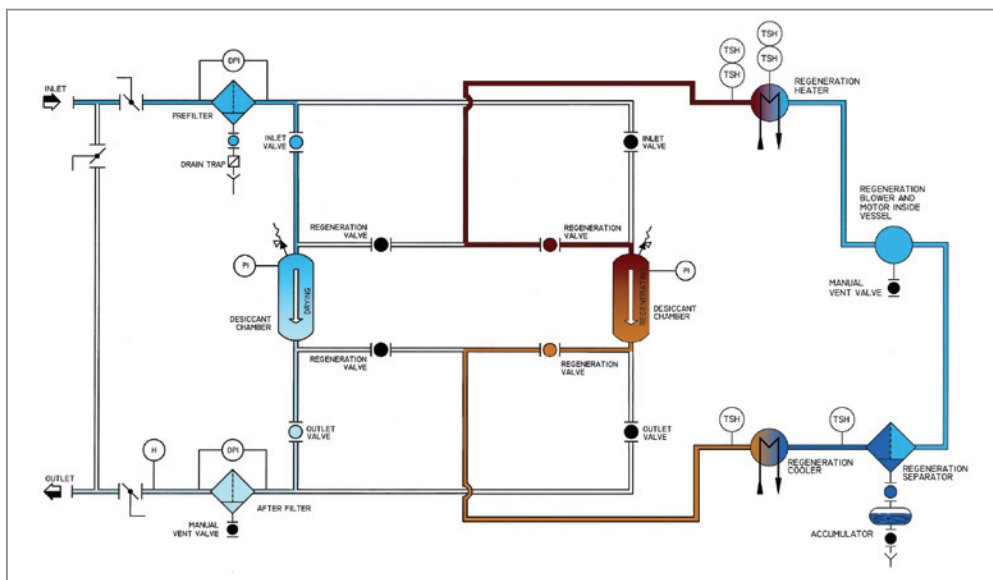


**Regeneration Cycle**



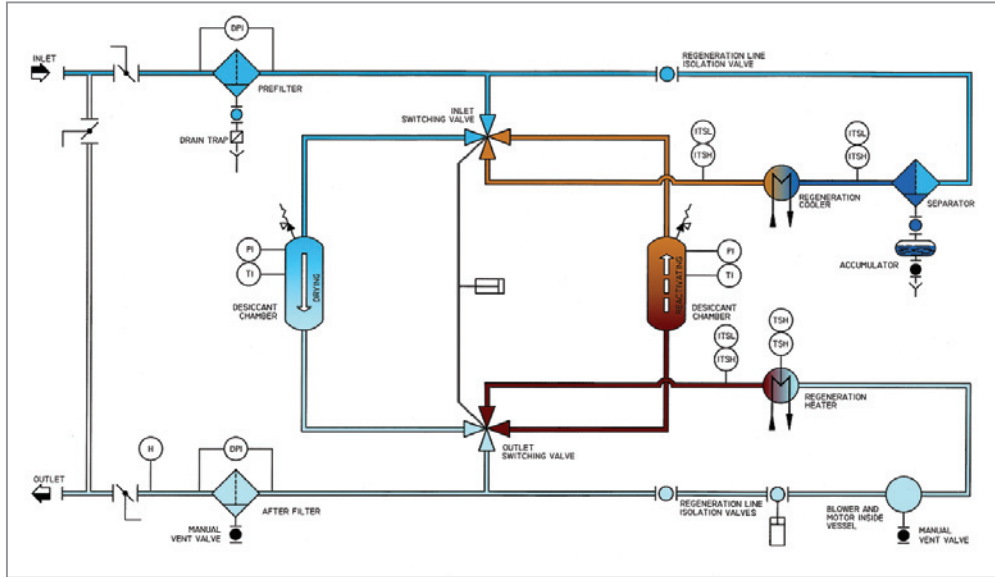
### STRNGX DUPLEX MODEL

**Adsorption and Regeneration Cycle**



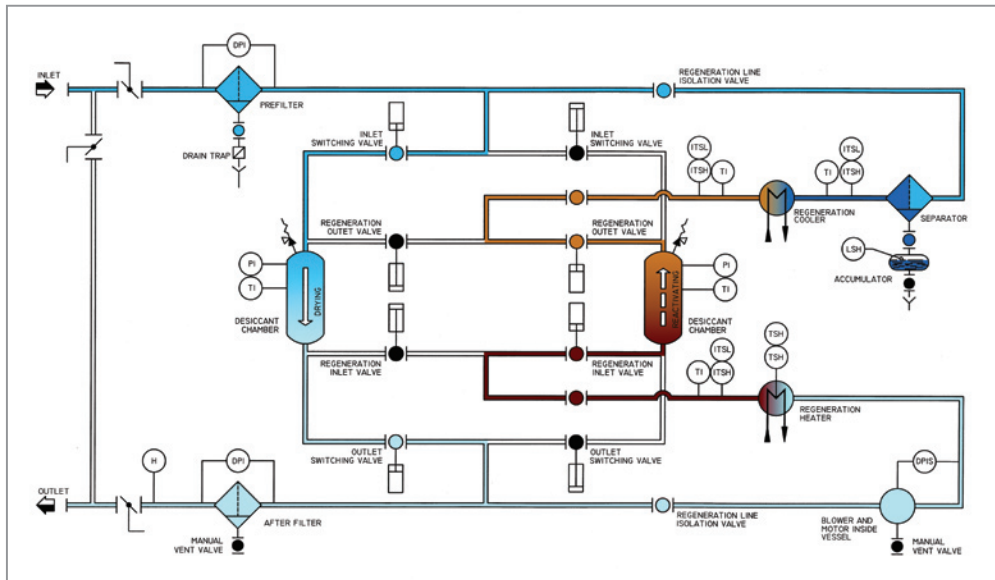
# DTRNGX MODEL

## Adsorption and Regeneration Cycle



# HRBNGX MODEL

## Adsorption and Regeneration Cycle



*Note: Schematic drawings provided for reference only.*

XEBEC ADSORPTION INC. | 730 Boul. Industriel, Blainville (Quebec) CANADA J7C 3V4

Toll Free: 1-877-GO-XEBEC  
 Phone: (450) 979-8700  
 Fax: (450) 979-7869  
 Email: sales@xebecinc.com

[www.xebecinc.com](http://www.xebecinc.com)