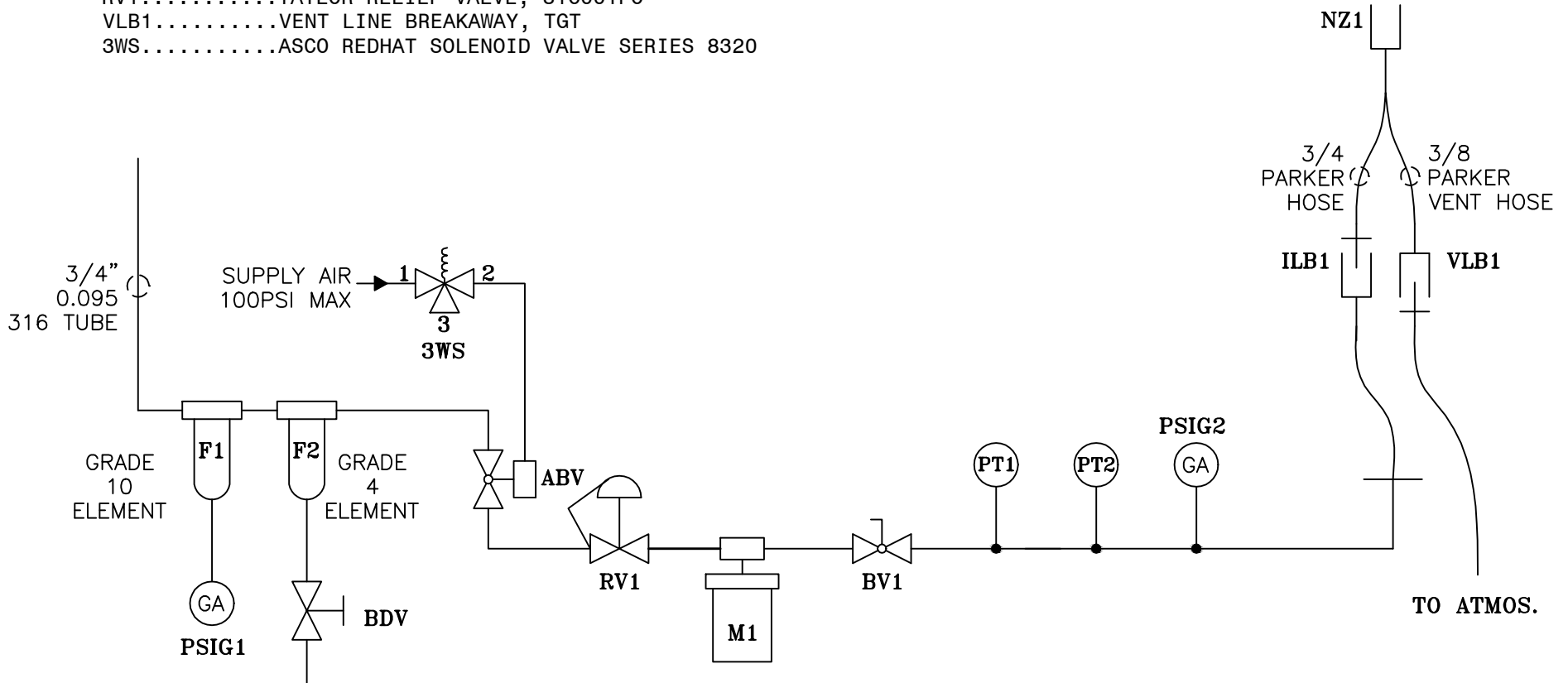



ABV.....ACTUATED BALL VALVE, BI-TORQ
 with 1/2" OASIS BALL VALVE, BV706
 BDV.....BLEED VALVE, NOSHOK 152MFC
 F1,F2.....PARKER FILTER, J6NH-CWC23-130B
 ILB1.....INLINE BREAKAWAY, OPW SHEREX ILB5
 M1.....MICRO MOTION CNG50 SENSOR MM-CNG50S290NCAAEZZZ
 MICRO MOTION TRANSMITTER MM-2700I13ABEZZZ
 NZ1.....OPW SHEREX NOZZLE, CT5000S
 PSIG1,2.....TGT 2.5" GAUGE 5000PSI, 427123
 PT1,2.....PRESSURE TRANSDUCER, MURPHY PXTK6000
 RV1.....TAYLOR RELIEF VALVE, 81C001FO
 VLB1.....VENT LINE BREAKAWAY, TGT
 3WS.....ASCO REDHAT SOLENOID VALVE SERIES 8320





TULSA GAS TECHNOLOGIES, INC.
 4809 South 101st East Avenue
 Tulsa, OK 74146
 (918) 665-2641 FAX: (918) 665-2657

MODEL: -	DRAWN BY: MB	DATE:
SEQUENCE: -	CHECKED BY: -	01-07-14
PROGRAM: -	APPROVED BY: -	
SERIAL NO.: -	PART: -	
WORK ORDER: -	DWG. NO. T7104-12CNG50 P&ID	
MATERIAL: -		