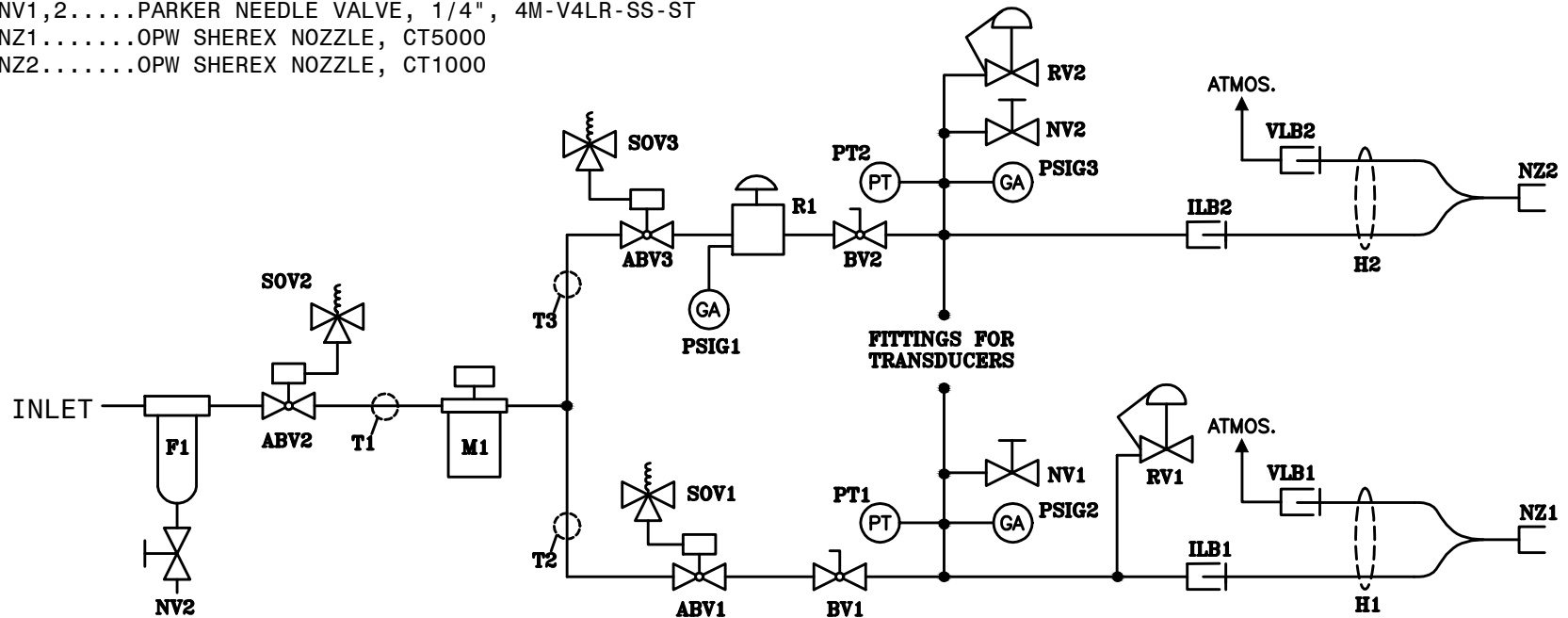


ABV1-2....ACTUATED BALL VALVE  
 3/4" NUTRON BALL VALVE  
 & ELOMATIC ACTUATOR ESA 200/4/A  
 ABV3.....SWAGelok WHITEY VALVE  
 BDV1.....PARKER BLOW DOWN VALVE, PFG-4M-BV-4SSG  
 BV1.....NUTRON 3/4" BALL VALVE,  
 MANUAL SHUT-OFF, RA-T3-F07S60A  
 BV2.....PARKER BALL VALVE, 1/2", 62 SERIES  
 PFG-8F-BL8J-SSP-R  
 F1.....PARKER FILTER, J4NH-10CWC23  
 H1.....PARKER 3/4" X 3/8" PARFLEX HOSE  
 H2.....PARKER 3/4" X 1/4" PARFLEX HOSE  
 ILB1.....SHEREX/OPW ILB5  
 ILB2.....TGT BREAKAWAY, ILB6  
 NV1,2.....PARKER NEEDLE VALVE, 1/4", 4M-V4LR-SS-ST  
 NZ1.....OPW SHEREX NOZZLE, CT5000  
 NZ2.....OPW SHEREX NOZZLE, CT1000

M1.....MICRO MOTION CNG50  
 MM-290NCAAEEZZZ-SENSOR  
 MM-2700I113ABA3ZZZ-TRANSMITTER  
 PSIG1,2,3..TGT 2.5" GAUGE 0-6000 PSI  
 PT1,2.....MSI PRESSURE TRANSDUCER, 0-5000PSI  
 R1.....REGULATOR, MECO 8461  
 RV1.....MERCER RELIEF VALVE, 9100 SERIES  
 RV2.....F85 650 PSI SET FLOWSAFE RELIEF VALVE  
 SOV1,2,3...PARKER SKINNER SOLENOID VALVE,  
 7133TBN2JV00NOH11Q3  
 T1-2.....3/4" .095 WALL 316 STAINLESS STEEL TUBE  
 T3.....3/8" .049 WALL STAINLESS STEEL TUBE  
 VLB1.....SNAPTITE BREAKAWAY NGVBC2-P50  
 VLB2.....TGT VENT LINE BREAKAWAY



TULSA GAS TECHNOLOGIES, INC.  
 4809 South 101st East Avenue  
 Tulsa, OK 74146  
 (918) 665-2641 FAX: (918) 665-2657

MODEL:	DRAWN BY:	DATE
SEQUENCE -	MB	3-12-07
PROGRAM -	CHECKED BY: -	
SERIAL NO.: -	APPROVED BY: -	
WORK ORDER: -	PART: -	
	DWG. NO. T7210-12/8-CNG50 P&ID	