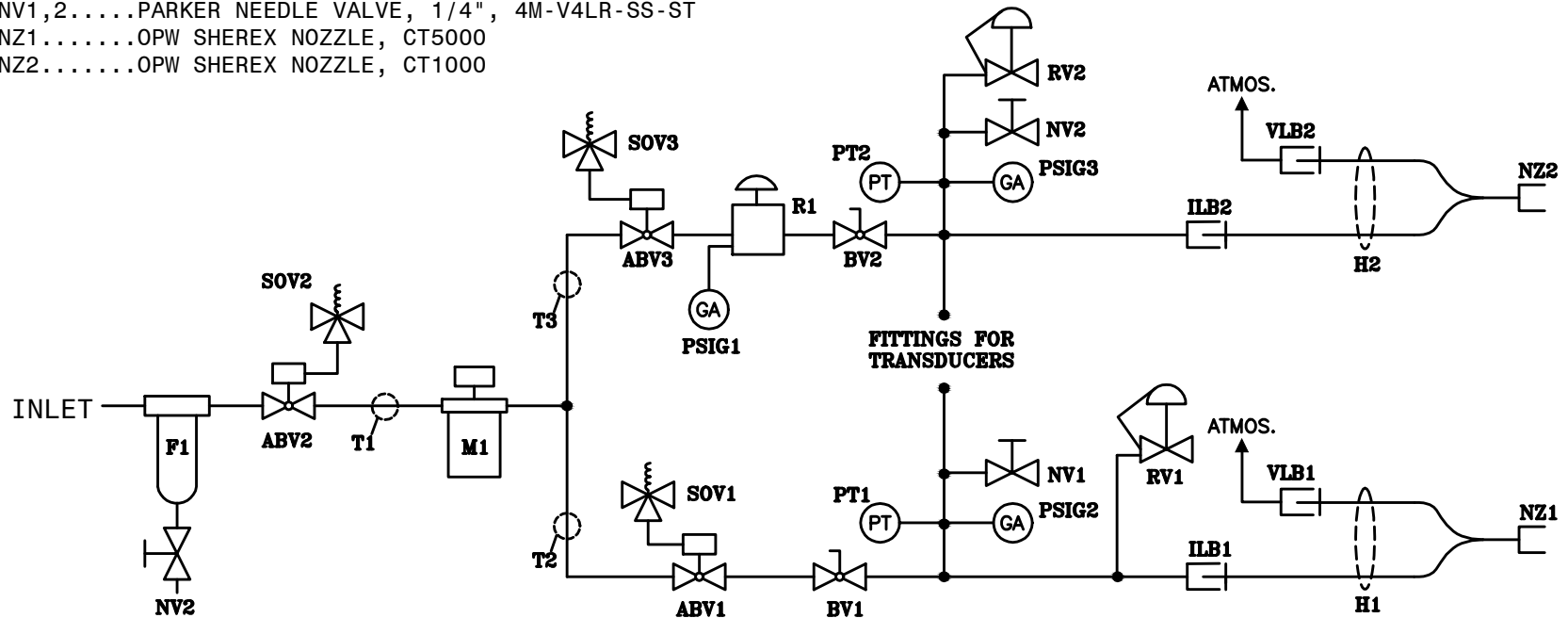


ABV1-2....ACTUATED BALL VALVE
 3/4" NUTRON BALL VALVE
 & ELOMATIC ACTUATOR ESA 200/4/A
 ABV3.....SWAGELOK WHITEY VALVE
 BDV1.....PARKER BLOW DOWN VALVE, PFG-4M-BV-4SSG
 BV1.....NUTRON 3/4" BALL VALVE,
 MANUAL SHUT-OFF, RA-T3-F07S60A
 BV2.....PARKER BALL VALVE, 1/2", 62 SERIES
 PFG-8F-BL8J-SSP-R
 F1.....PARKER FILTER, J4NH-10CWC23
 H1.....PARKER 3/4" X 3/8" PARFLEX HOSE
 H2.....PARKER 3/4" X 1/4" PARFLEX HOSE
 ILB1.....SHEREX/OPW ILB5
 ILB2.....TGT BREAKAWAY, ILB6
 NV1,2.....PARKER NEEDLE VALVE, 1/4", 4M-V4LR-SS-ST
 NZ1.....OPW SHEREX NOZZLE, CT5000
 NZ2.....OPW SHEREX NOZZLE, CT1000

M1.....MICRO MOTION CNG50
 MM-290NCAAEEZZZ-SENSOR
 MM-2700I113ABA3ZZZ-TRANSMITTER
 PSIG1,2,3..TGT 2.5" GAUGE 0-6000 PSI
 PT1,2.....MSI PRESSURE TRANSDUCER, 0-5000PSI
 R1.....REGULATOR, MECO 8461
 RV1.....MERCER RELIEF VALVE, 9100 SERIES
 RV2.....F85 650 PSI SET FLOWSAFE RELIEF VALVE
 SOV1,2,3...PARKER SKINNER SOLENOID VALVE,
 7133TBN2JV00NOH11Q3
 T1-2.....3/4" .095 WALL 316 STAINLESS STEEL TUBE
 T3.....3/8" .049 WALL STAINLESS STEEL TUBE
 VLB1.....SNAPTITE BREAKAWAY NGVBC2-P50
 VLB2.....TGT VENT LINE BREAKAWAY



TULSA GAS TECHNOLOGIES, INC.
 4809 South 101st East Avenue
 Tulsa, OK 74146
 (918) 665-2641 FAX: (918) 665-2657

MODEL:	DRAWN BY:	DATE
SEQUENCE -	CHECKED BY: -	3-12-07
PROGRAM -	APPROVED BY: -	
SERIAL NO.: -	PART: -	
WORK ORDER: -	DWG. NO. T7210-12/8-CNG50 P&ID	