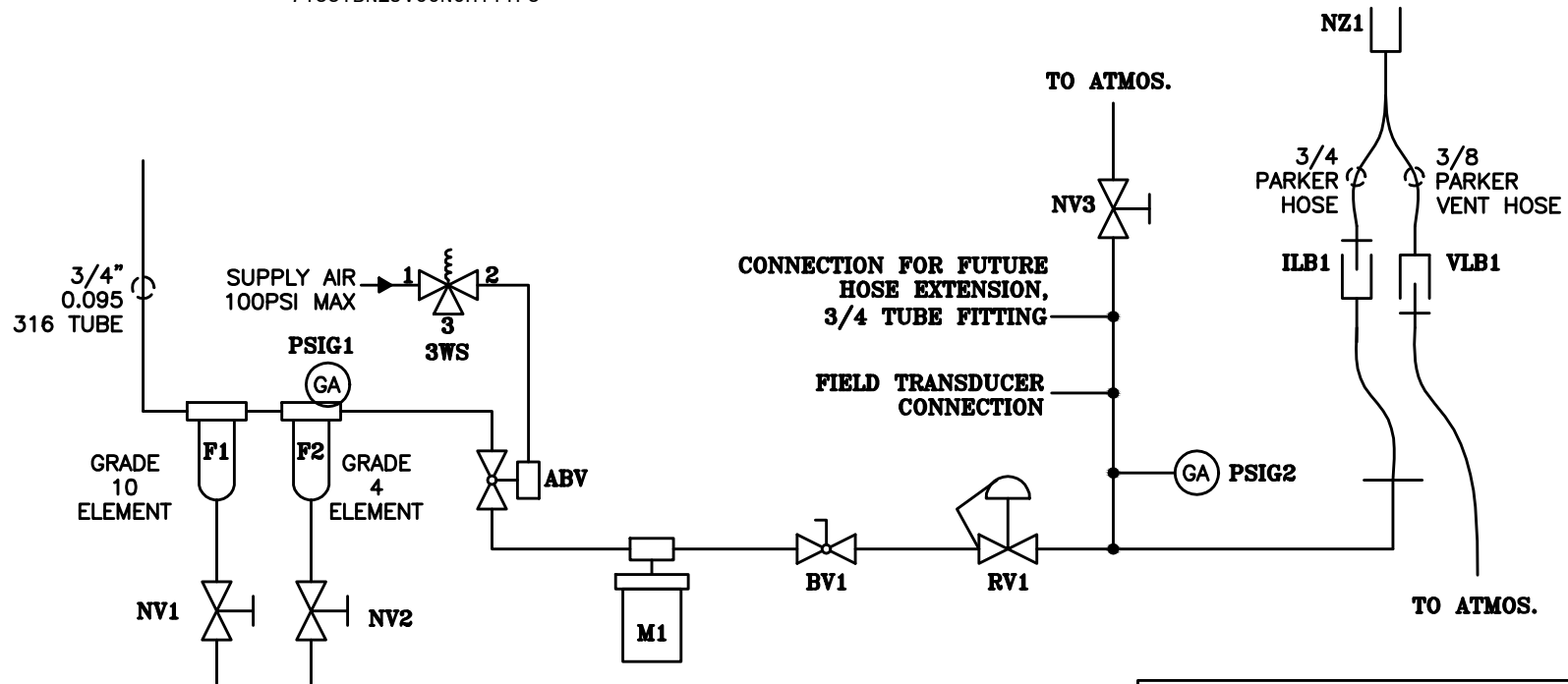


ABV.....ACTUATED BALL VALVE, ELOMATIC ACTUATOR, ESA200-SR4
 with 1" NUTRON BALL VALVE,T3-R10S60A
 BV1.....3/4" NUTRON BALL VALVE,T3-07304AZ
 F1,F2.....PARKER FILTER, J6NH-CWC23-130B
 ILB1.....INLINE BREAKAWAY, OPW SHEREX
 M1.....MICRO MOTION CNG50SENSOR MM-CNG50S290NCAAEZZZ
 MICRO MOTION TRANSMITTER MM-2700I13ABEZZZ
 NV1,2,3.....PARKER NEEDLE VALVE, 4M-V4LR-SS-ST
 NZ1.....OPW SHEREX NOZZLE, CT5000S
 PSIG1,2.....WIKA 2.5" GAUGE 5000PSI, 427123
 RV1.....FLOWSAFE RELIEF VALVE, 01-11-55F-202, 4500 SET PSI
 VLB1.....VENT LINE BREAKAWAY, TGT
 3WS.....PARKER SKINNER BRASS 3-WAY SOLENOID VALVE,
 7133TBN2JV00NOH111P3



TULSA GAS TECHNOLOGIES, INC.
 4809 South 101st East Avenue
 Tulsa, OK 74146
 (918) 665-2641 FAX: (918) 665-2657

MODEL:	DRAWN BY: MB	DATE
SEQUENCE -	CHECKED BY: -	10-20-04
PROGRAM: -	APPROVED BY: -	
SERIAL NO.: -	PART: -	
WORK ORDER: -	DRG. NO. T7100-12CNG50 P&ID	
MATERIAL: -		