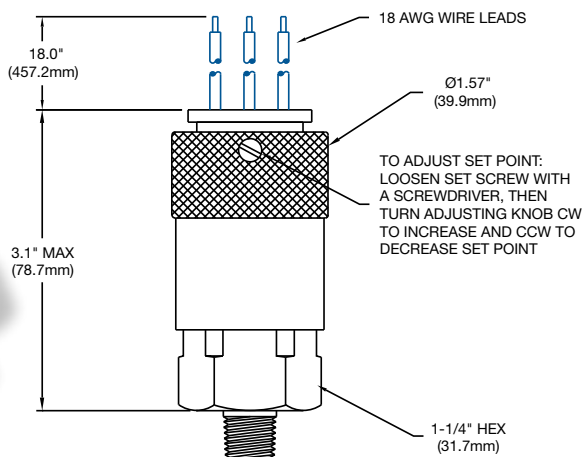




(See Electrical Options Below)



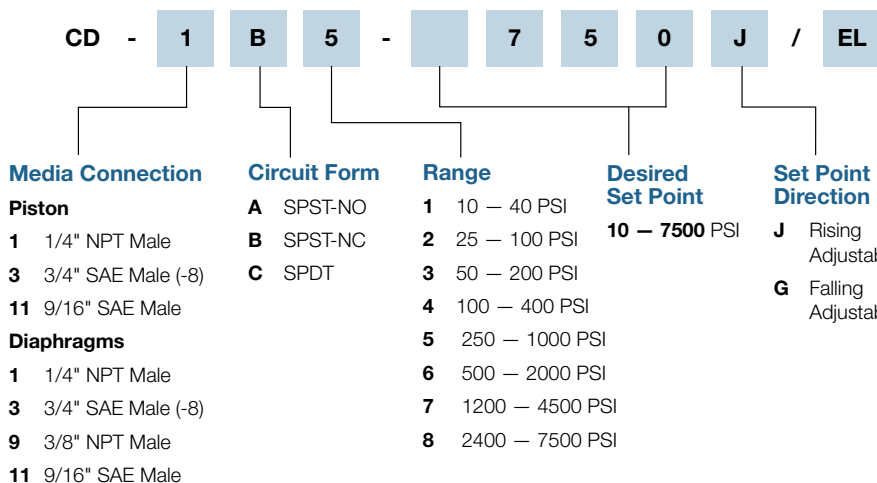
## Features

- Long-life elastomer diaphragm (Ranges 1 – 3)
- Proven sealed piston sensor (Ranges 4 – 8)
- High-quality snap-action switch
- Field adjustable
- Easily customized
- Quick delivery
- NEMA 4, 13

## Operating Specifications

<b>Set Point Range</b>	10 – 7500 PSI	(.69 – 310 Bar)
<b>Set Point Tolerance</b>	±5 PSI or 5%	(.34 Bar)
<b>Maximum Operating Pressure</b>	2000 PSI (Ranges 1 – 3)	(137 Bar)
	5000 PSI (Ranges 4 – 7)	(344 Bar)
	7500 PSI (Range 8)	(517 Bar)
<b>Proof Pressure</b>	6000 PSI (Ranges 1 – 3)	(413 Bar)
	15000 PSI (Ranges 4 – 7)	(1034 Bar)
	22500 PSI (Range 8)	(1551 Bar)
<b>Differential</b>	10 – 20%	
<b>Current Rating</b>	5 A @ 250 VAC	5 A @ 30 VDC (Resistive)
<b>Media Connection</b>	See Order Chart Below for Options	
<b>Circuit Form</b>	SPST-NO or SPST-NC	
<b>Electrical Connection</b>	See Order Chart Below for Options	
<b>Diaphragm Material</b>	Buna (Ranges 1 – 3)	
	Hardened Steel Piston (Ranges 4 – 8)	
<b>Cycle Life</b>	1 Million	

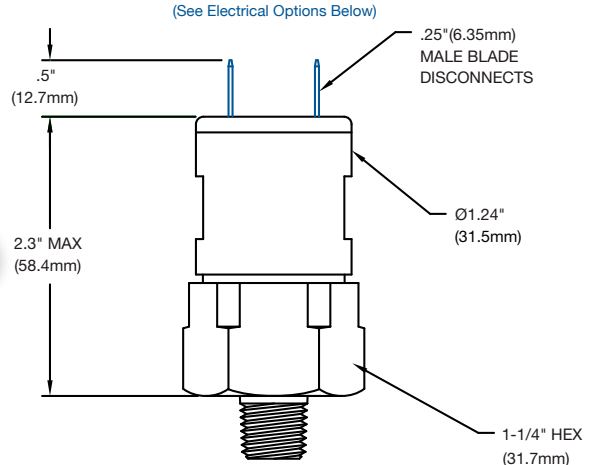
## How to Order (Example: Part Number: **CD - 1B5 - 750J / EL**)



## Electrical Options

- WL** Wire Leads 18"
- EL** Male Conduit 1/2" – 14 With Wire Leads 18"
- EF** Female Conduit 1/2" – 14 With Wire Leads 18"
- HR** DIN43650A Connector
- HH** DIN43650A Plug Only
- QC** 1/4" Spade Connection
- WP** Weather Pack
- MP** Metri-Pack
- WD** Deutsch
- AT** 10 A @ 125/250 VAC  
5 A @ 30 VDC
- AU** Gold Plate/Alloy for low currents

For more media connections, see pages 23-24.  
 For more electrical connections, see page 7.



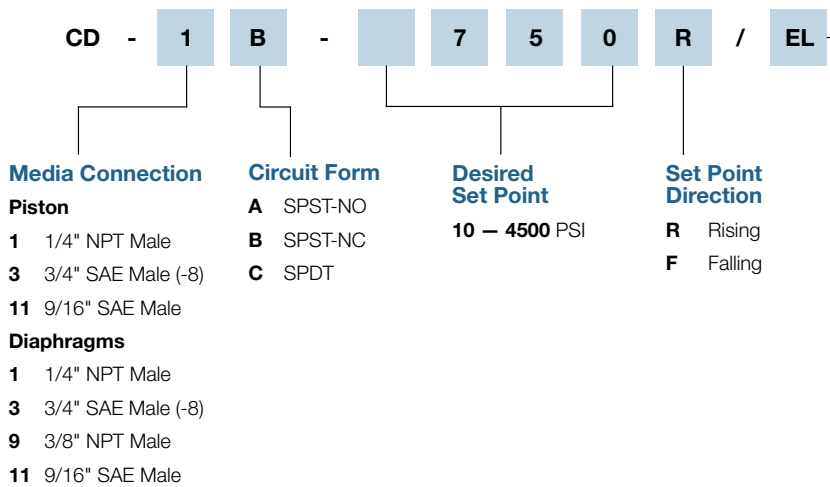
## Features

- Long-life elastomer diaphragm (Set Points: 10 – 300 PSI)
- Proven sealed piston sensor (Set Points: 100 – 4500 PSI)
- High-quality snap-action switch
- Easily customized
- Quick delivery
- NEMA 4, 13

## Operating Specifications

<b>Set Point Range</b>	10 – 4500 PSI	(.69 – 310 Bar)
<b>Set Point Tolerance</b>	±5 PSI or 5%	(.34 Bar)
<b>Maximum Operating Pressure</b>	2000 PSI (Diaphragm Model)	(137 Bar)
	5000 PSI (Piston Model)	(344 Bar)
<b>Proof Pressure</b>	6000 PSI (Diaphragm Model)	(413 Bar)
	15000 PSI (Piston Model)	(1034 Bar)
<b>Differential</b>	10 – 20%	
<b>Current Rating</b>	5 A @ 250 VAC	5 A @ 30 VDC (Resistive)
<b>Media Connection</b>	See Order Chart Below for Options	
<b>Circuit Form</b>	SPST-NO or SPST-NC	
<b>Electrical Connection</b>	See Order Chart Below for Options	
<b>Diaphragm Material</b>	Buna (Diaphragm Design)	
	Hardened Steel Piston (Piston Design)	
<b>Cycle Life</b>	1 Million	

## How to Order (Example: Part Number: **CD - 1B - 750R / EL**)



## Electrical Options

- WL** Wire Leads 18"
- EL** Male Conduit 1/2" – 14 With Wire Leads 18"
- EF** Female Conduit 1/2" – 14 With Wire Leads 18"
- HR** DIN43650A Connector
- HH** DIN43650A Plug Only
- QC** 1/4" Spade Connection
- WP** Weather Pack
- MP** Metri-Pack
- WD** Deutsch
- AT** 10 A @ 125/250 VAC  
5 A @ 30 VDC
- AU** Gold Plate/Alloy for low currents

For more media connections, see pages 23-24.  
 For more electrical connections, see page 7.