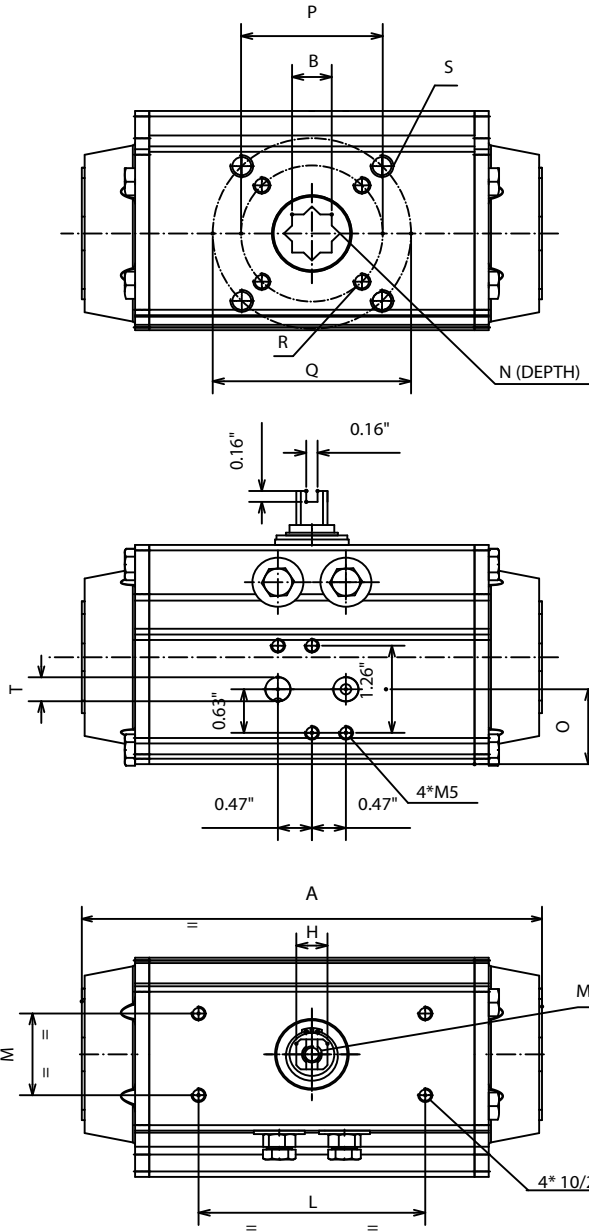


# BI-TORQ PN-SERIES DIMENSIONAL DATA

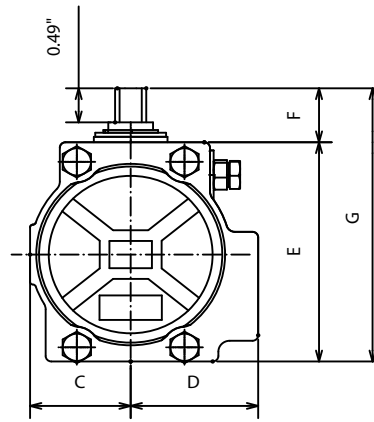
FOR ACTUATOR MODELS 52 THROUGH 140



**BI-TORQ**  
VALVE AUTOMATION



**AVK CARBO-BOND, INC.**  
AUTOMATED VALVE MOUNTING KITS



## DIMENSIONAL DATA

	ISO 5211	A	B	C	D	E	F	G	H	K	L	M	N	O	P	Q	R (UNC)	S (UNC)	T (NPT)
PN-52	F03/F05	5.49	0.433	1.18	1.61	2.74	0.787	3.52	0.43	0.47	3.15	1.18	0.47	1.04	1.42	1.97	10-24 X 0.29	1/4-20 X 0.35	1/8"
PN-63	F05/F07	6.38	0.551	1.40	1.77	3.17	0.787	3.96	0.43	0.59	3.15	1.18	0.63	1.08	1.97	2.76	1/4-20 X 0.31	5/16-18 X 0.47	1/8"
PN-75	F05/F07	8.15	0.669	1.65	2.07	3.82	0.787	4.61	0.67	0.75	3.15	1.18	0.75	1.38	1.97	2.76	1/4-20 X 0.31	5/16-18 X 0.47	1/8"
PN-85	F05/F07	9.35	0.669	1.87	2.30	4.27	0.787	5.06	0.67	0.87	3.15	1.18	0.75	1.65	1.97	2.76	1/4-20 X 0.31	5/16-18 X 0.47	1/8"
PN-100	F07/F10	10.69	0.669	2.17	2.68	4.78	0.787	5.57	0.67	0.87	3.15	1.18	0.81	1.97	2.76	4.02	5/16-18 x 0.47	3/8-16 x 0.55	1/4"
PN-115	F07/F10	12.91	0.869	2.52	2.87	5.57	1.180	6.75	1.06	1.26	5.12	1.18	0.94	1.97	2.76	4.02	5/16-18 x 0.47	3/8-16 x 0.59	1/4"
PN-125	F07/F10	14.41	0.869	2.68	3.15	6.04	1.180	7.22	1.06	1.26	5.12	1.18	0.94	2.40	2.76	4.02	5/16-18 x 0.47	3/8-16 x 0.59	1/4"
PN-140	F10/F12	16.85	1.060	3.01	3.44	6.93	1.180	8.11	1.06	1.38	5.12	1.18	1.14	2.80	4.02	4.92	3/8-16 x 0.59	1/2-13 x 0.71	1/4"