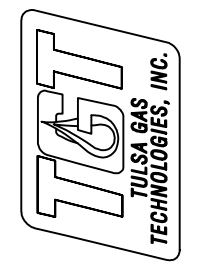
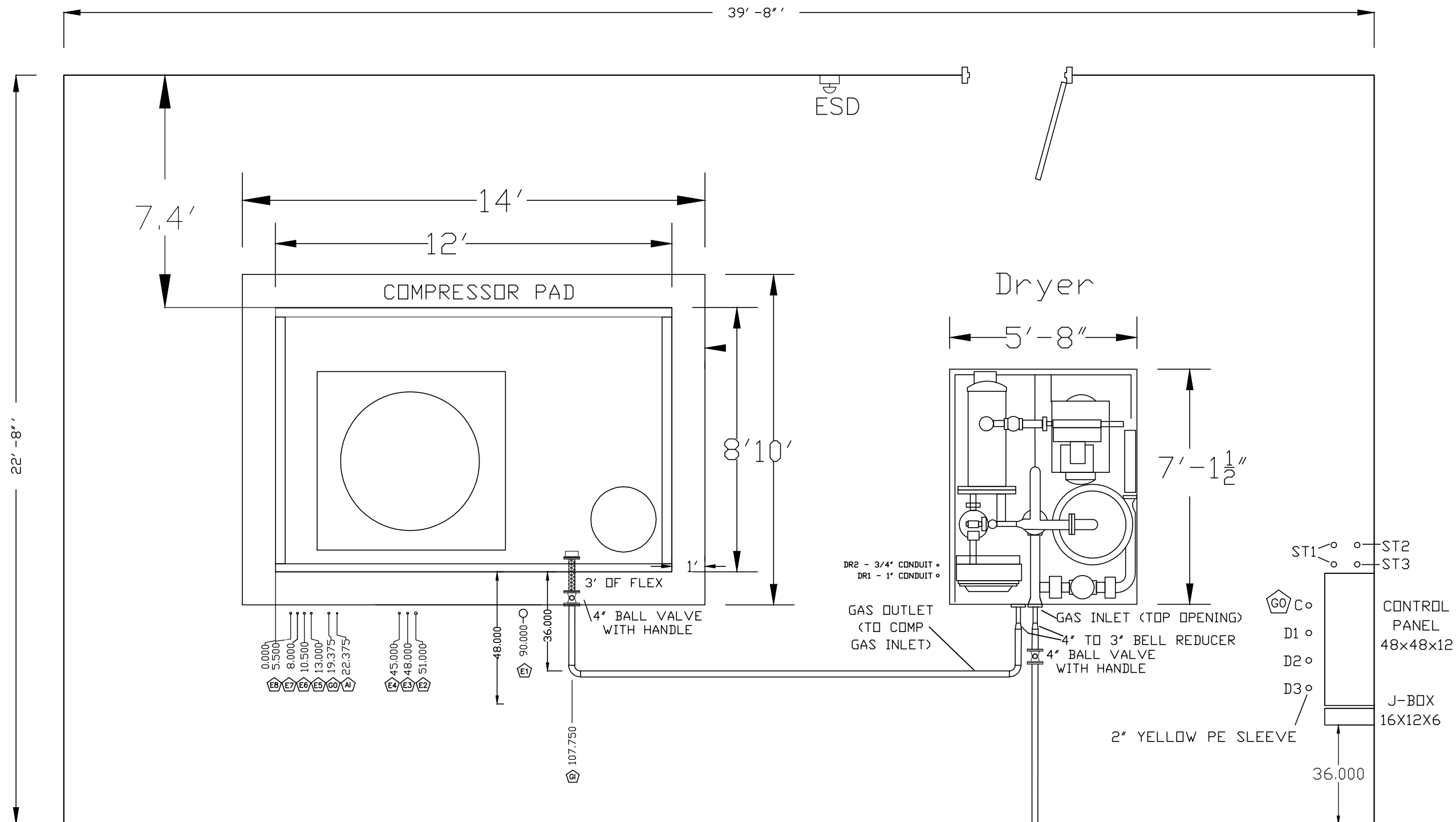


TULSA GAS TECHNOLOGIES, INC.
 4809 South 101st East Avenue
 Tulsa, OK 74146
 918-665-2641
 FAX: 918-665-2657



MODEL:	DRAWN BY: MB	DATE
SEQUENCE -	CHECKED BY: -	10-06-14
PROGRAM: -	APPROVED BY: -	
SERIAL NO.: -	PART: -	
WORK ORDER: -	DWG. NO. PANEL_RM	
MATERIAL: -	EZGO STROUD OK	
SERVER: \Station Site Plans\STROUD SITE		

NORTH ↑

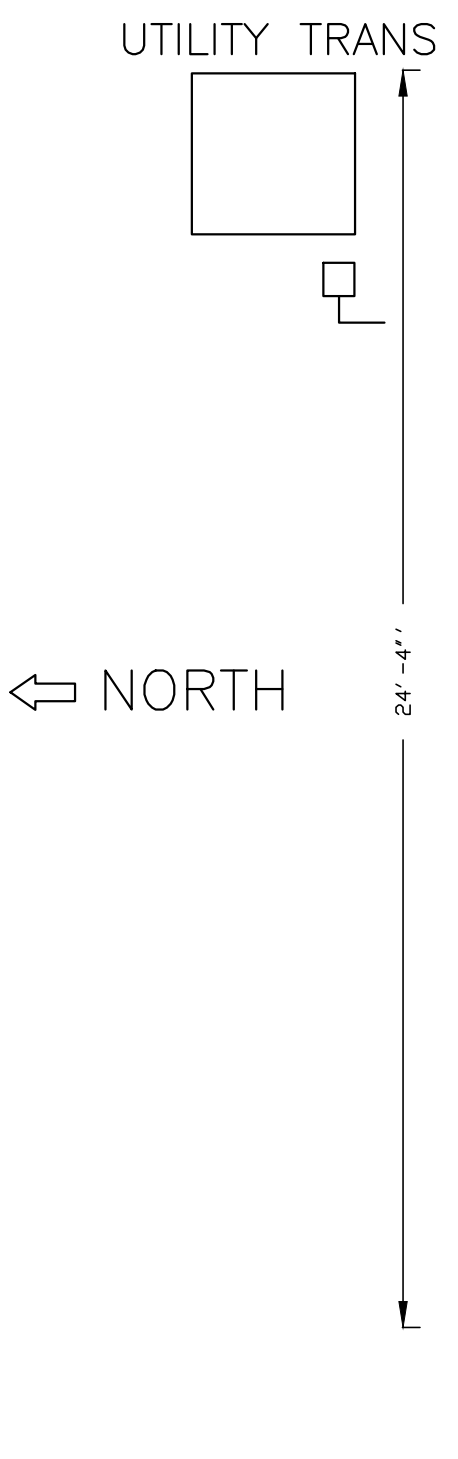


- GI... 4" 150# RF... PROCESS GAS INLET
- GO... 3/4" SEAL-LOK. GAS OUTLET
- AI... 1/2" OD... AIR INLET
- E1... 3" NPT... MAIN MOTOR CONDUIT ENTRY
- E2... 1" NPT... COOLER AND PRELUBE CONDUIT ENTRY
- E3... 3/4" NPT... HEATER CONDUIT ENTRY
- E4... 3/4" NPT... SPARE CONDUIT ENTRY
- E5... 3/4" NPT... ESD CIRCUIT CONDUIT ENTRY
- E6... 3/4" NPT... MOTOR CONTROL CONDUIT ENTRY
- E7... 3/4" NPT... PANEL COMMUNICATION CONDUIT ENTRY
- E8... 3/4" NPT... PANEL POWER CONDUIT ENTRY

MODEL:	SEQUENCE	DATE
PROGRAM:	MB	10-06-14
SERIAL NO.:	CHECKED BY: -	
WORK ORDER:	APPROVED BY: -	
MATERIAL:	PART: -	
	DWG. NO. EQUIPMENT LAYOUT	
	EZGO STROUD OK	
SERVER: \Station Site Plans\STROUD SITE		

TULSA GAS TECHNOLOGIES, INC.
 4809 South 101st East Avenue
 Tulsa, OK 74146
 918-665-2641
 FAX: 918-665-2657



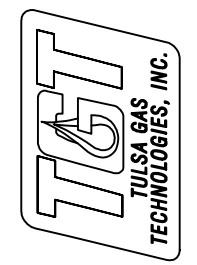


STORAGE ROOM

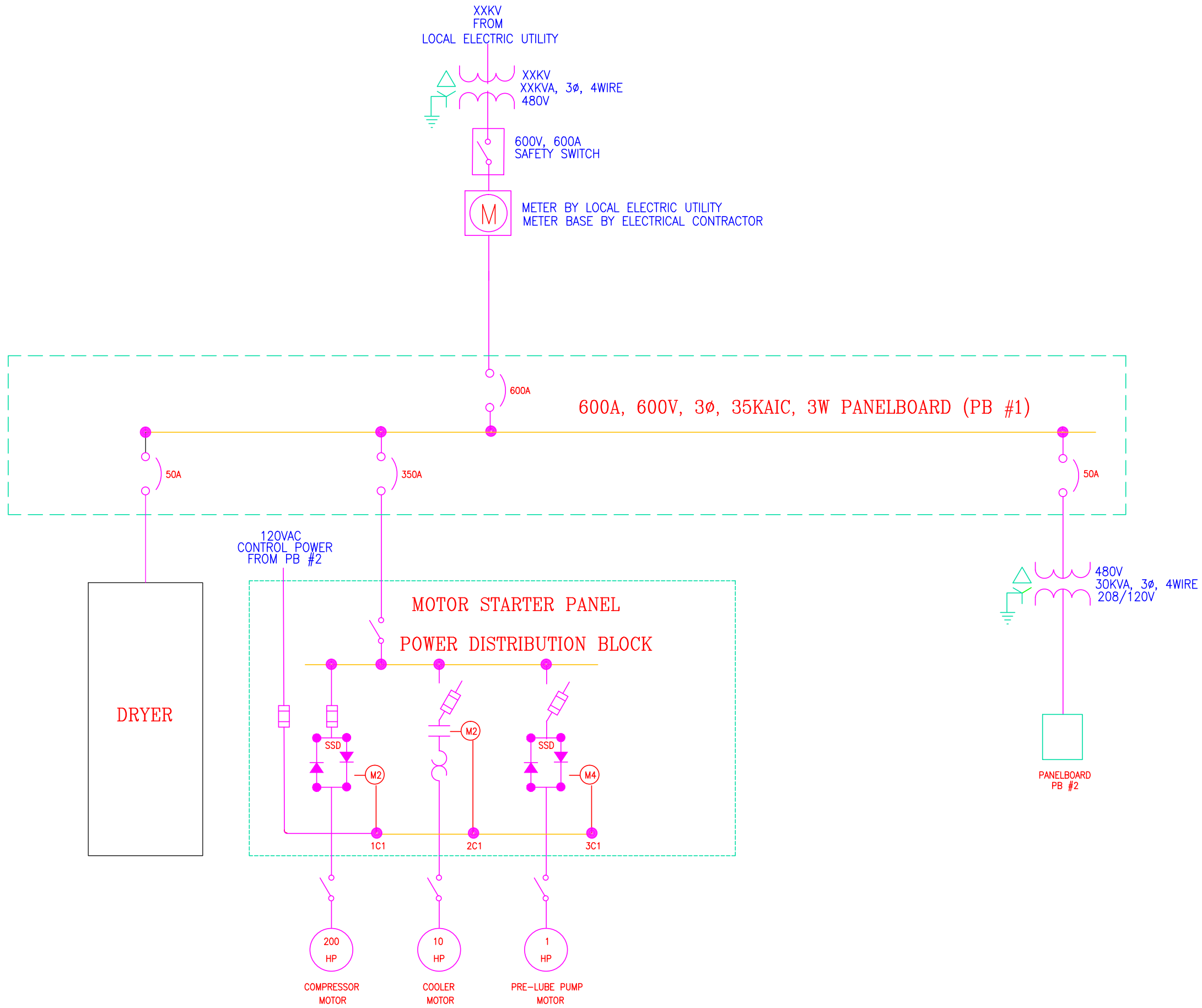
- ⊕ 120VDC OUTLET
- ⊕ 208V OUTLET
- \$ SWITCH
- \$^{os} OCCUPANCY SENSOR SWITCH
- | T-8 LIGHTING
- P1 480V ELECTRICAL PANEL
- T1 STEP DOWN TRANSFORMER
- L1 120VDC ELECTRICAL PANEL
- ⎓ DISCONNECT
- ⊗ EXIT SIGN
- EM EMERGENCY LIGHTING
- EXTERIOR LIGHT
- ⎓ WALL MAOUNT EXTERIOR LIGHT
- ⊕ WP GFCI EXTERIOR OUTLET

MODEL:	DRAWN BY:	DATE
SEQUENCE -	MB	10-06-14
PROGRAM -	CHECKED BY: -	
SERIAL NO.: -	APPROVED BY: -	
WORK ORDER: -	PART: -	
MATERIAL: -	DWG. NO. STORAGE_RM	
	EZGO STROUD OK	

TULSA GAS TECHNOLOGIES, INC.
 4809 South 101st East Avenue
 Tulsa, OK 74146
 918-665-2641
 FAX: 918-665-2657

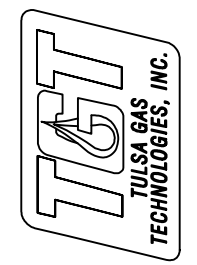


SERVER: \Station Site Plans\STROUD SITE



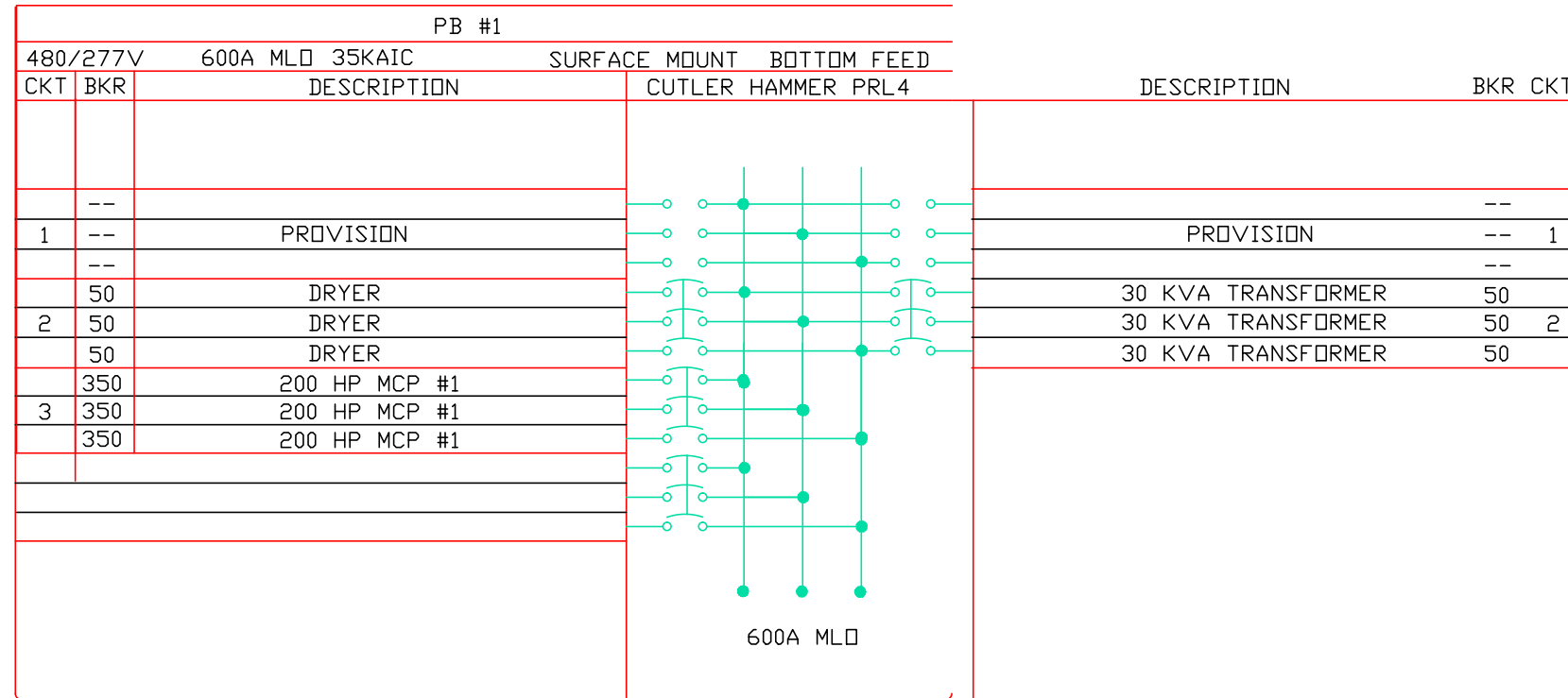
MODEL:	MB	DATE
SEQUENCE	-	10-06-14
PROGRAM:	-	
SERIAL NO.:	-	
WORK ORDER:	-	
MATERIAL:	-	

TULSA GAS TECHNOLOGIES, INC.
 4809 South 101st East Avenue
 Tulsa, OK 74146
 918-665-2641
 FAX: 918-665-2657



SERVER: \Station Site Plans\STROUD SITE

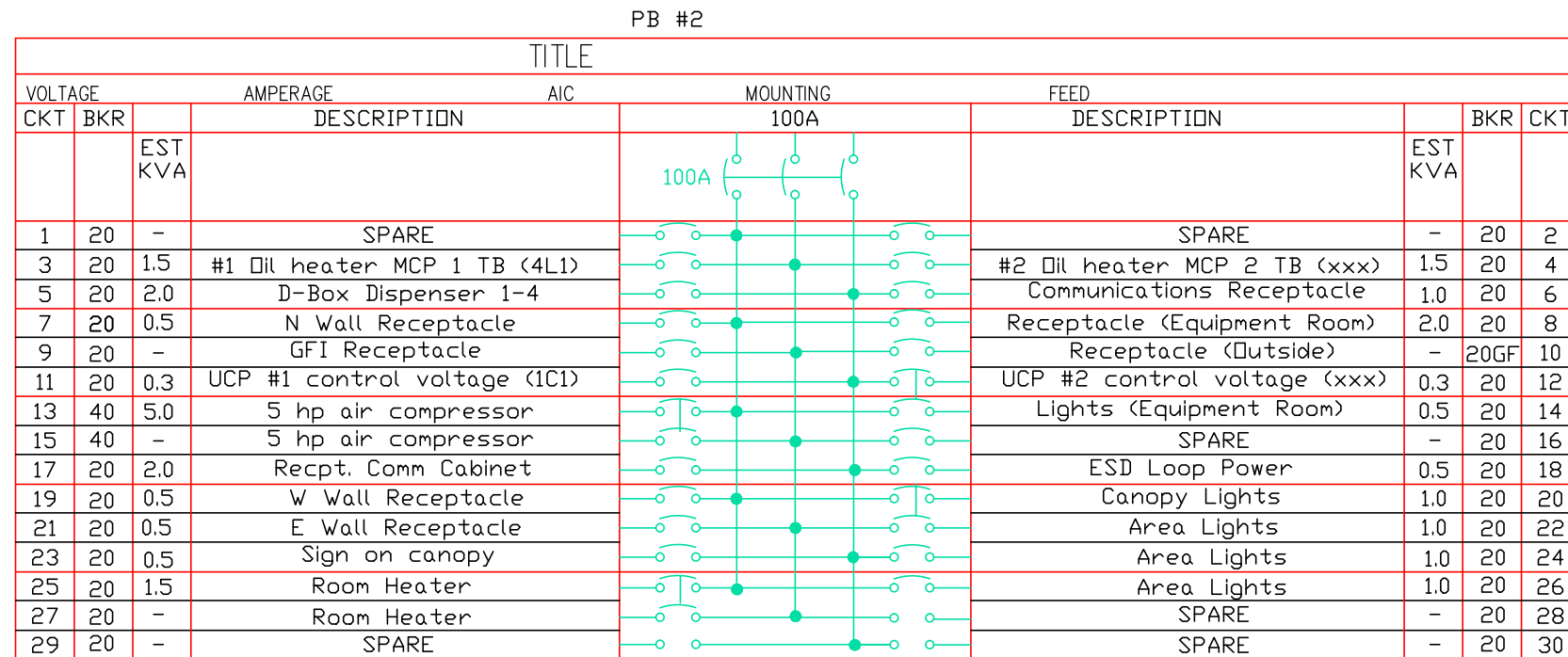
600 AMP



DRYER 29 KW
 BLOWER MOTOR 3 HP
 COOLER MOTOR 2 HP
 PRE-LUBE PUMP HP
 COOLER FAN HP
 COMPRESSOR 200 HP

SERVICE ENTRANCE

2 - 3" CONDUITS TO TRANS
 L1 - 2 Ø 300 MCM
 L2 - 2 Ø 300 MCM
 L3 - 2 Ø 300 MCM
 G 1 1/0 AWG

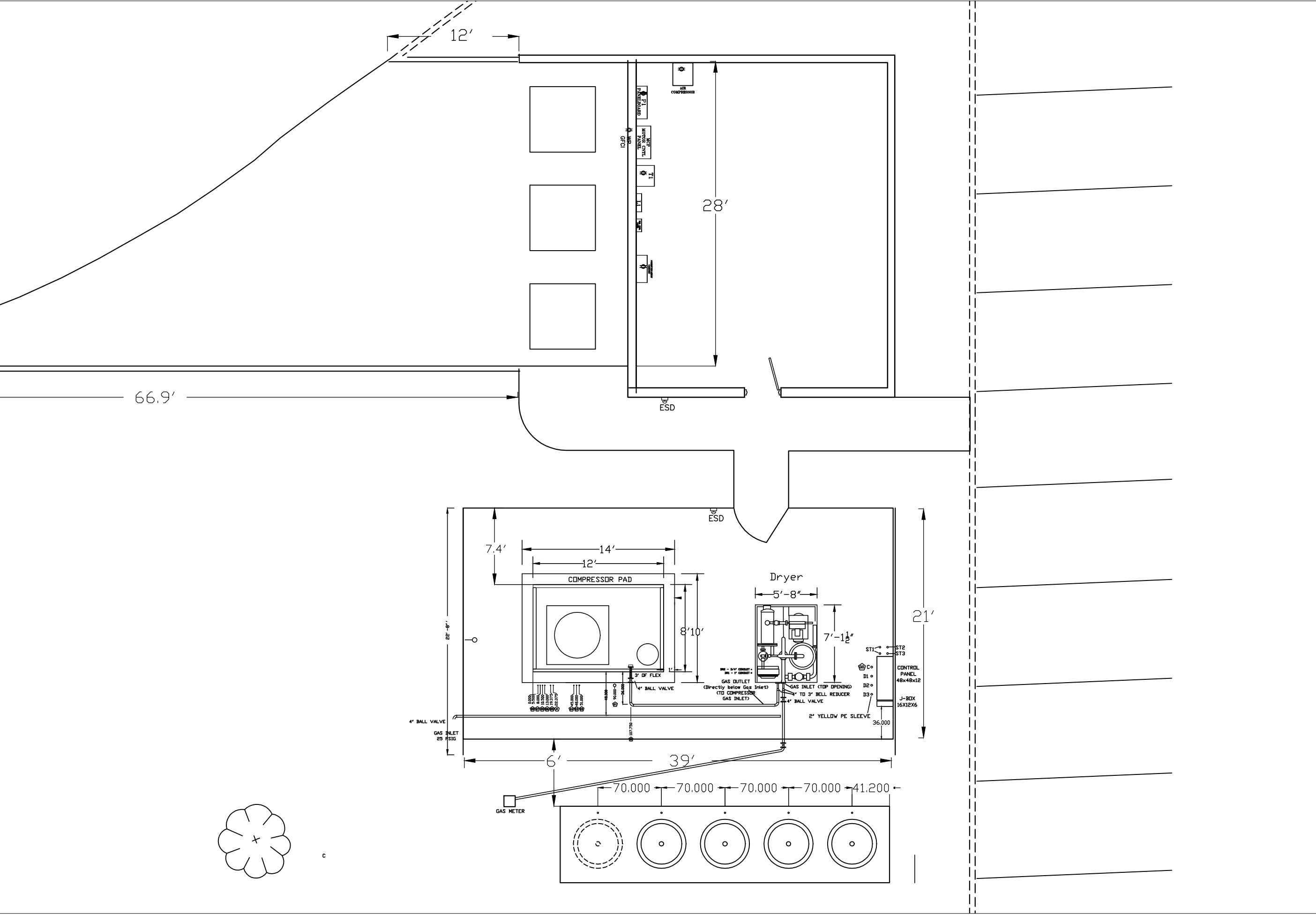


UCP = UNIT CONTROL PANEL

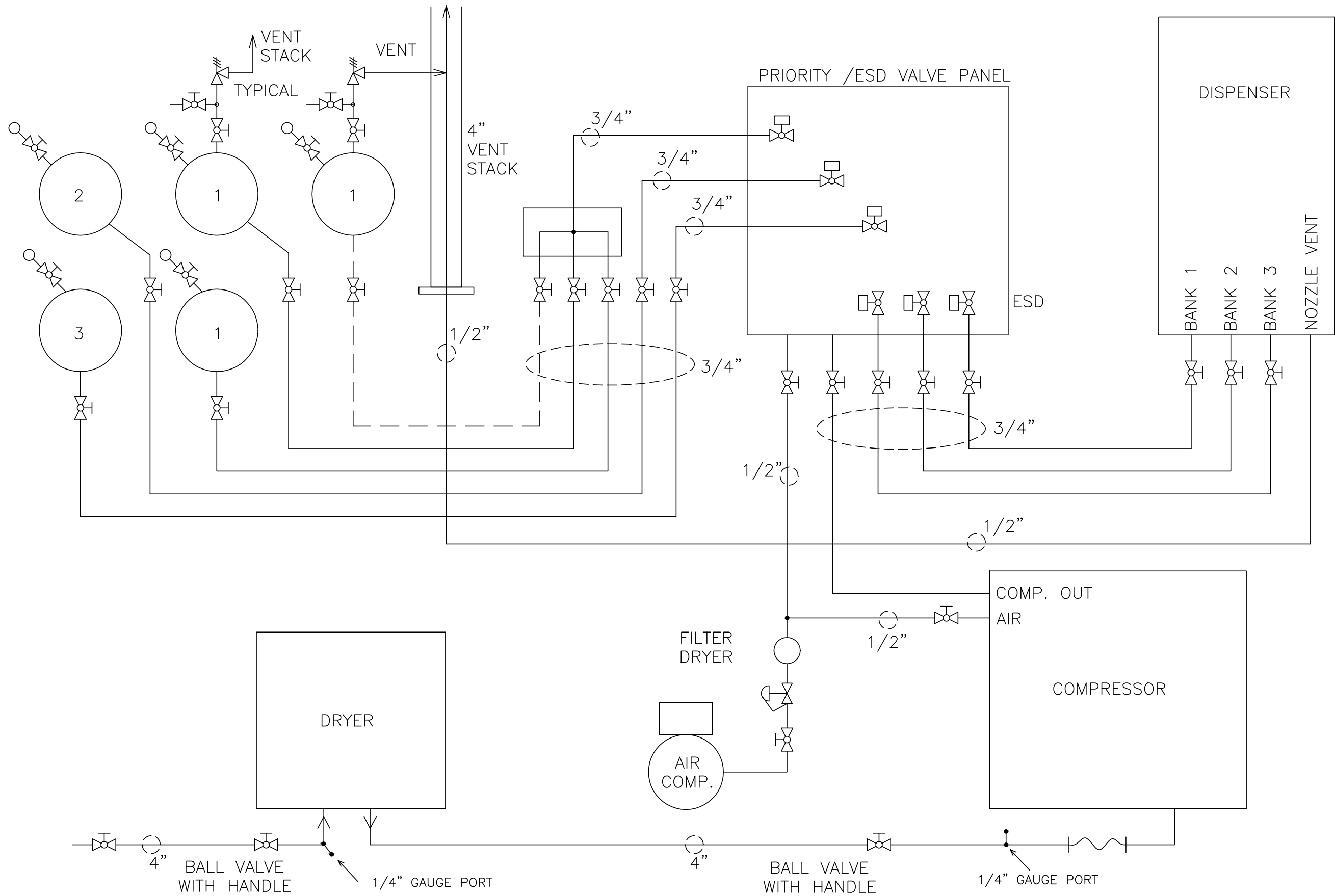
MODEL:		DRAWN BY:	MB	DATE:	10-06-14
SEQUENCE:	-	CHECKED BY:	-		
PROGRAM:	-	APPROVED BY:	-		
SERIAL NO.:	-	PART:	-		
WORK ORDER:	-	DWG. NO. PANELBOARD SCHEDULE			
MATERIAL:	-	EZGO STROUD OK			
SERVER: \Station Site Plans\STROUD SITE					

TULSA GAS TECHNOLOGIES, INC.
 4809 South 101st East Avenue
 Tulsa, OK 74146
 918-665-2641
 FAX: 918-665-2657





<p>TGT TULSA GAS TECHNOLOGIES, INC.</p> <p>TULSA GAS TECHNOLOGIES, INC. 4809 South 101st East Avenue Tulsa, OK 74146 918-665-2641 FAX: 918-665-2657</p>		<p>MODEL: —</p> <p>SEQUENCE: —</p> <p>PROGRAM: —</p> <p>SERIAL NO.: —</p> <p>WORK ORDER: —</p> <p>MATERIAL: —</p>	<p>DATE: 10-06-14</p> <p>DRAWN BY: MB</p> <p>CHECKED BY: —</p> <p>APPROVED BY: —</p> <p>PART: —</p> <p>DWG. NO. CONDUITI LAYOUT: EZGO STROUD OK</p> <p>SERVER: \Station Site Plans\STROUD SITE</p>
--	--	---	--



MODEL:	SEQUENCE	DATE
PROGRAM:	APPROVED BY:	10-06-14
SERIAL NO.:	PART:	
WORK ORDER:	DWG. NO. Pipe and Valve Diagram	
MATERIAL:	EZGO STROUD OK	
SERVER: \Station Site Plans\STROUD SITE		

TIGT
 TULSA GAS TECHNOLOGIES, INC.
 4809 South 101st East Avenue
 Tulsa, OK 74146
 918-665-2641
 918-665-2657

DRAWN BY: MB
 CHECKED BY: -
 APPROVED BY: -
 PART: -
 DWG. NO. Pipe and Valve Diagram
 EZGO STROUD OK