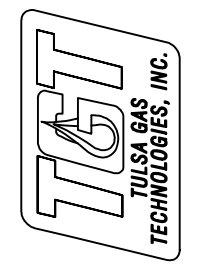
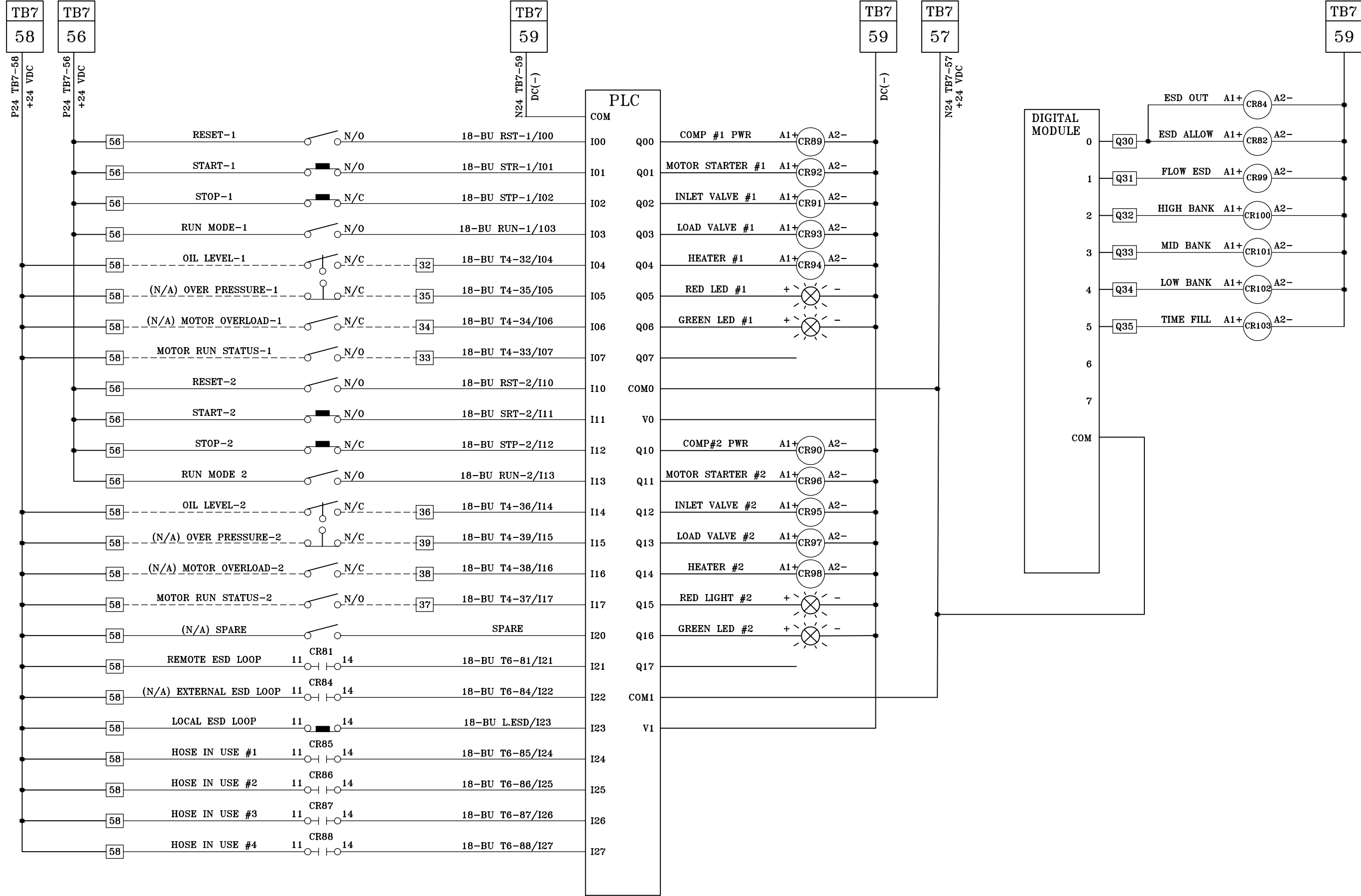


MODEL:	MB	DATE
SEQUENCE	CHECKED BY: <i>David Payne</i>	10-10-17
PROGRAM: TWIN_IR.V1.05-(08-30-2017)	APPROVED BY: <i>Ben Gould</i>	10-31-17
SERIAL NO.: 17091192	PART: -	
WORK ORDER: - SAGE072617	DWG. NO. POWER DISTRIBUTION WIRING	
MATERIAL: -		

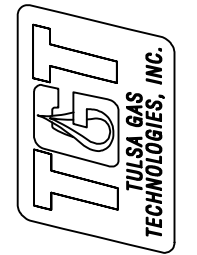
TULSA GAS TECHNOLOGIES, INC.
 4809 South 101st East Avenue
 Tulsa, OK 74146
 918-665-2641
 FAX: 918-665-2657



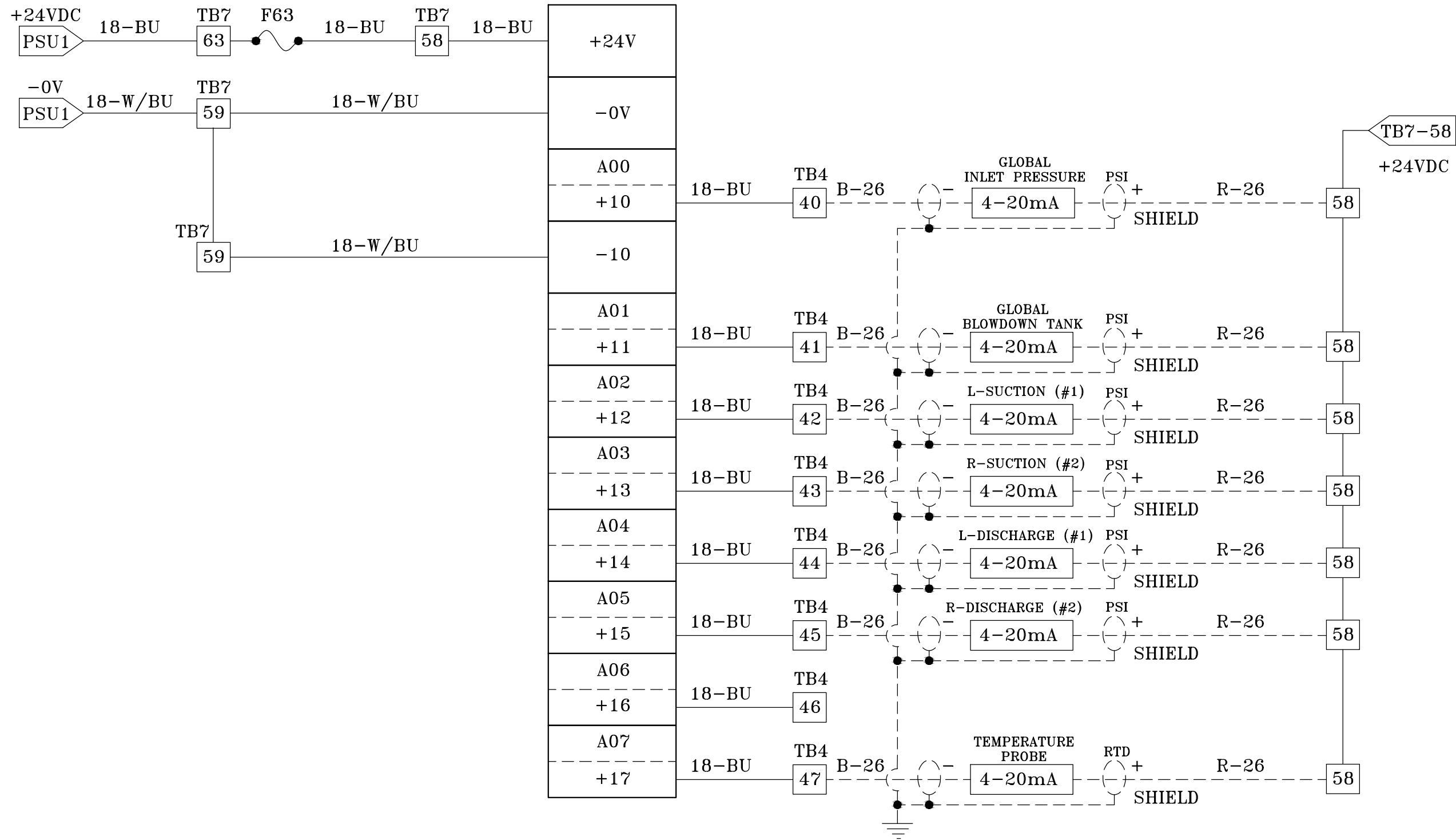


DATE	10-10-17
DRAWN BY: MB	
CHECKED BY: <i>Michael Payne</i>	
APPROVED BY: <i>Tom Spauld</i>	
MODEL: -	
SEQUENCE: -	
PROGRAM: TWIN_IR.V1.05--(08-30-2017)	
SERIAL NO.: 17091192	
WORK ORDER: - SAGE072617	
MATERIAL: -	
DWG. NO. I/O	

TULSA GAS TECHNOLOGIES, INC.
 4809 South 101st East Avenue
 Tulsa, OK 74146
 918-665-2641
 FAX: 918-665-2657

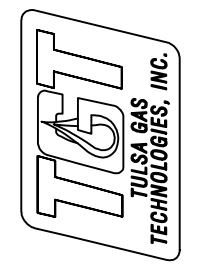


ANALOG #1

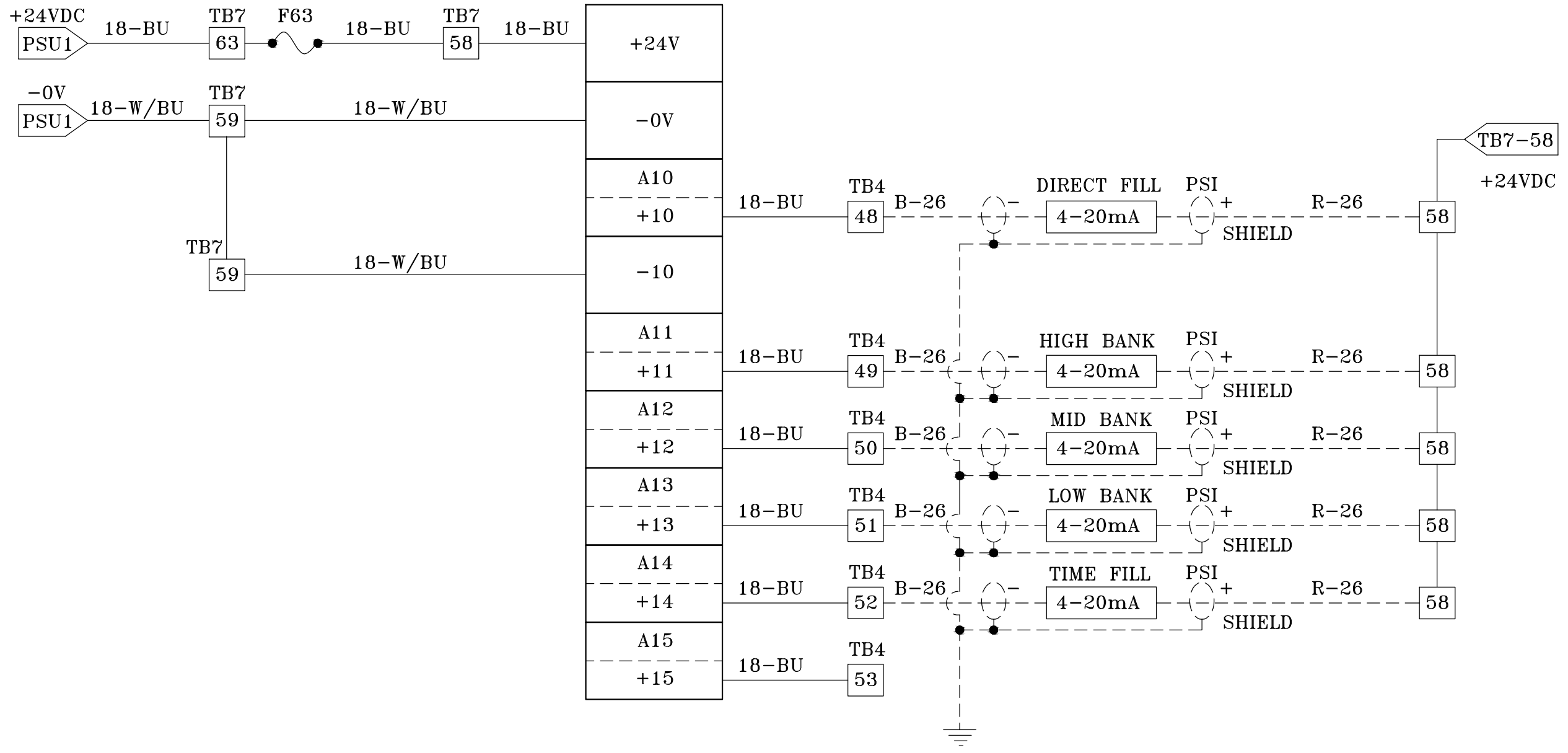


MODEL:	DRAWN BY: MB	DATE:
SEQUENCE: -	CHECKED BY: -	10-10-17
PROGRAM: TWIN_IR.V1.05-(08-30-2017)	APPROVED BY: -	10-31-17
SERIAL NO.: 17091192	PART: -	
WORK ORDER: - SAGE072617	DWG. NO.:	
MATERIAL: -		

TULSA GAS TECHNOLOGIES, INC.
 4809 South 101st East Avenue
 Tulsa, OK 74146
 918-665-2641
 FAX: 918-665-2657



ANALOG #2



MODEL:	DATE
SEQUENCE -	10-10-17
PROGRAM: TWIN_IR.V1.05--(08-30-2017)	10-31-17
SERIAL NO.: 17091192	
WORK ORDER: - SAGE072617	
MATERIAL: -	
DRAWN BY: MB	
CHECKED BY: -	
APPROVED BY: -	
PART: -	
DWG. NO. ANALOG INPUT #2	

TULSA GAS TECHNOLOGIES, INC.
 4809 South 101st East Avenue
 Tulsa, OK 74146
 918-665-2641
 FAX: 918-665-2657

