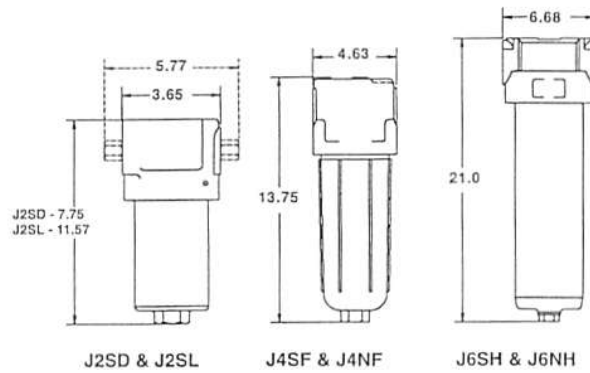


Dimensions (In Inches)



Compressed Gas
CNG/Alt. Fuels

How to Order

Use the steps below to build your own part number. The J-Series How to Order is broken into three connection sizes. First choose your connection size, then build your part number. For any permutation not mentioned below, please consult factory at 1-800-521-4357.

For a 1/2" connection size																				
J	2	S	D	10C	WC	11-035														
Series	Connection	Bowl Thread	Media Bowl	Media Type	Element Construction	Element Size														
J	2 = 1/2"	S (SAE)	D (Standard) L (Long)	<table border="1"> <tr><td>4C</td><td>WC</td></tr> <tr><td>10C</td><td>WC</td></tr> <tr><td>3P</td><td>WC</td></tr> <tr><td>A</td><td>WC</td></tr> <tr><td>100</td><td>WS</td></tr> </table>	4C	WC	10C	WC	3P	WC	A	WC	100	WS		11-035				
4C	WC																			
10C	WC																			
3P	WC																			
A	WC																			
100	WS																			
For a 1" connection size																				
J	4	N	F	3P	WC	15-070														
Series	Connection	Bowl Thread	Media Bowl	Media Type	Element Construction	Element Size														
J	4 = 1"	S (SAE) N (NPT)	F (Standard)	<table border="1"> <tr><td>4C</td><td>WC</td></tr> <tr><td>10C</td><td>WC</td></tr> <tr><td>3P</td><td>WC</td></tr> <tr><td>A</td><td>WC</td></tr> <tr><td>100</td><td>WS</td></tr> <tr><td>10J</td><td>WM</td></tr> <tr><td>10J</td><td>WA</td></tr> </table>	4C	WC	10C	WC	3P	WC	A	WC	100	WS	10J	WM	10J	WA		15-070
4C	WC																			
10C	WC																			
3P	WC																			
A	WC																			
100	WS																			
10J	WM																			
10J	WA																			
For a 1 1/2" connection size																				
J	6	S	H	10J	WM	23-130														
Series	Connection	Bowl Thread	Media Bowl	Media Type	Element Construction	Element Size														
J	6 = 1 1/2"	S (SAE) N (NPT)	H (Standard)	<table border="1"> <tr><td>4C</td><td>WC</td></tr> <tr><td>10C</td><td>WC</td></tr> <tr><td>3P</td><td>WC</td></tr> <tr><td>A</td><td>WC</td></tr> <tr><td>100</td><td>WS</td></tr> <tr><td>10J</td><td>WM</td></tr> <tr><td>10J</td><td>WA</td></tr> </table>	4C	WC	10C	WC	3P	WC	A	WC	100	WS	10J	WM	10J	WA		23-130
4C	WC																			
10C	WC																			
3P	WC																			
A	WC																			
100	WS																			
10J	WM																			
10J	WA																			

Application Notes:

For Media Types:
 4C (coalescer) = 99.995% efficiency
 10C (coalescer) = 95% efficiency
 3P = 3 micron particulate filter
 A = Hydrocarbon vapor removal
 100WS = 100 micron liquid removal
 10JWM = desiccant dryer with molecular sieve
 10JWA = desiccant dryer with activated aluminum

Element Construction:
 WC = Metal retainers, bonded on end caps with positive O-ring seal.

Replacement Elements:
 Start with the whole part number, but for the replacement element, drop the series name, thread connection and thread type. For example if you started with a J2SD-4CWC15-070, and you needed a replacement element, the element part number would be 4CWC15-070.

Examples (Housing and Element): J2SD-10CWC11-035
 J4NF-3PWC15-070
 J6SH-10JWM23-130

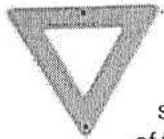
Replacement Elements: 10CWC11-035
 3PWC15-070
 10JWM23-130



Specifications



At high pressures, excessive amounts of oil aerosols may be present. Precoalescing with Grade 10 may be necessary before final coalescing.



Grade 4 (not Grade 6 as in other Finite filter series) is used as the standard coalescer media in the J Series. High pressure systems reduce the effectiveness of filter media, requiring the upgrade to Grade 4 as the standard.



Flow direction:
Coalescers (Grade 10 or 4)
Interceptors ("3P" Particulate)
Adsorbers ("A" Charcoal adsorber)



Replacement Elements:
Coalescing filters and particulate interceptors should be replaced a minimum of one time per year with a maximum 10 psid pressure drop. Adsorber elements should be replaced every six months, or as necessary. For example, in a breathing air application, adsorbers should be replaced when hydrocarbon vapor is detected as an odor.



Mount these filters in a vertical position.



Do not service these filters under pressure! The system pressure must be reduced to atmospheric levels before changing elements, draining bowls, or performing any other maintenance activity on or near these filters.

Compressed Gas
CNG/LHG/Fuels

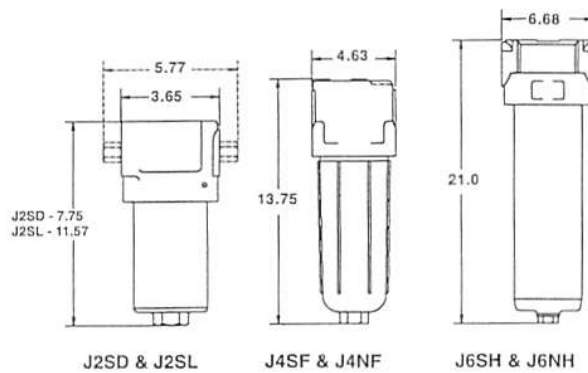
Port 1 to Port 2 (in to out)
Port 2 to Port 1 (out to in)
Port 2 to Port 1 (out to in)

Housing Model	J2SD	J2SL	J4SF	J4NF	J6SH	J6NH
Port Size	SAE-8 (Std) Adaptor Busings Provided for 1/2" NPT Female		SAE-16	1" NPT	SAE-24	1 1/2" NPT
Pressure (PSIG) Max.	5000		5000		5000	
Temperature (°F), Max	350°		350°		350°	
Sump Capacity (ml)	60ml	220ml	210 ml		637 ml	
Assembly Weight (lbs)	9.2	13.1	22.1		52.5	
Major Materials of Construction (with coalescing element installed)	Ductile iron, fluorocarbon seals, aluminum, fiberglass, carbon steel, epoxy, rayon		Nodular cast iron, carbon steel, fluorocarbon seals, fiberglass, epoxy, rayon, aluminum and engineered plastic		Nodular cast iron, carbon steel, fluorocarbon seals, fiberglass, epoxy, rayon, and aluminum	
Drain Port Size	SAE-6		SAE-6		SAE-6	

Flow Rates (SCFM @ indicated system pressures)

	Media	J2SD & J2SL	J4SF & J4NF	J6SH & J6NH
Flow @ 100 PSIG	4C, A	30	75	225
	10C, 3P	60	150	450
Flow @ 1500 PSIG	4C, A	400	1000	3000
	10C, 3P	800	2000	6000
Flow @ 3000 PSIG	4C, A	800	2000	6000
	10C, 3P	1600	4000	12000
Flow @ 4500 PSIG	4C, A	1200	3000	9000
	10C, 3P	2400	6000	18000

Dimensions (In Inches)



How to Order

Use the steps below to build your own part number. The J-Series How to Order is broken into three connection sizes. First choose your connection size, then build your part number. For any permutation not mentioned below, please consult factory at 1-800-521-4357.

Compressed Gas
CNG/Alt. Fuels

For a 1/2" connection size																				
J	2	S	D	10C	WC	11-035														
Series	Connection	Bowl Thread	Media Bowl	Media Type	Element Construction	Element Size														
J	2 = 1/2"	S (SAE)	D (Standard) L (Long)	<table border="1"> <tr><td>4C</td><td>WC</td></tr> <tr><td>10C</td><td>WC</td></tr> <tr><td>3P</td><td>WC</td></tr> <tr><td>A</td><td>WC</td></tr> <tr><td>100</td><td>WS</td></tr> </table>	4C	WC	10C	WC	3P	WC	A	WC	100	WS	WC	11-035				
4C	WC																			
10C	WC																			
3P	WC																			
A	WC																			
100	WS																			
For a 1" connection size																				
J	4	N	F	3P	WC	15-070														
Series	Connection	Bowl Thread	Media Bowl	Media Type	Element Construction	Element Size														
J	4 = 1"	S (SAE) N (NPT)	F (Standard)	<table border="1"> <tr><td>4C</td><td>WC</td></tr> <tr><td>10C</td><td>WC</td></tr> <tr><td>3P</td><td>WC</td></tr> <tr><td>A</td><td>WC</td></tr> <tr><td>100</td><td>WS</td></tr> <tr><td>10J</td><td>WM</td></tr> <tr><td>10J</td><td>WA</td></tr> </table>	4C	WC	10C	WC	3P	WC	A	WC	100	WS	10J	WM	10J	WA	WC	15-070
4C	WC																			
10C	WC																			
3P	WC																			
A	WC																			
100	WS																			
10J	WM																			
10J	WA																			
For a 1 1/2" connection size																				
J	6	S	H	10J	WM	23-130														
Series	Connection	Bowl Thread	Media Bowl	Media Type	Element Construction	Element Size														
J	6 = 1 1/2"	S (SAE) N (NPT)	H (Standard)	<table border="1"> <tr><td>4C</td><td>WC</td></tr> <tr><td>10C</td><td>WC</td></tr> <tr><td>3P</td><td>WC</td></tr> <tr><td>A</td><td>WC</td></tr> <tr><td>100</td><td>WS</td></tr> <tr><td>10J</td><td>WM</td></tr> <tr><td>10J</td><td>WA</td></tr> </table>	4C	WC	10C	WC	3P	WC	A	WC	100	WS	10J	WM	10J	WA	WM	23-130
4C	WC																			
10C	WC																			
3P	WC																			
A	WC																			
100	WS																			
10J	WM																			
10J	WA																			

Application Notes:

For Media Types:
 4C (coalescer) = 99.995% efficiency
 10C (coalescer) = 95% efficiency
 3P = 3 micron particulate filter
 A = Hydrocarbon vapor removal
 100WS = 100 micron liquid removal
 10JWM = desiccant dryer with molecular sieve
 10JWA = desiccant dryer with activated aluminum

Element Construction:
 WC = Metal retainers, bonded on end caps with positive O-ring seal.

Replacement Elements:
 Start with the whole part number, but for the replacement element, drop the series name, thread connection and thread type. For example if you started with a J2SD-4CWC15-070, and you needed a replacement element, the element part number would be 4CWC15-070.

Examples (Housing and Element): J2SD-10CWC11-035
 J4NF-3PWC15-070
 J6SH-10JWM23-130

Replacement Elements: 10CWC11-035
 3PWC15-070
 10JWM23-130

