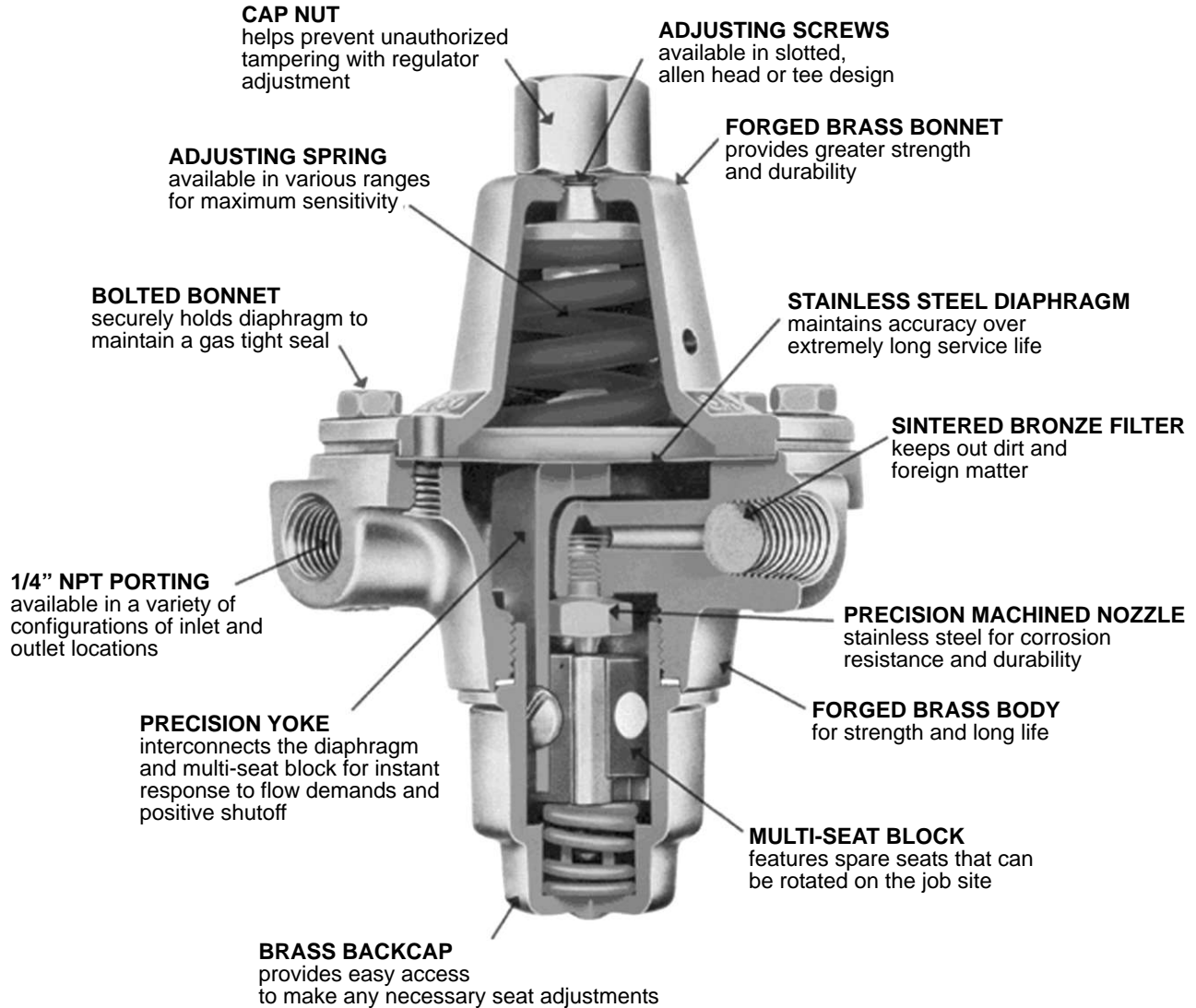




# YOKE TYPE REGULATORS

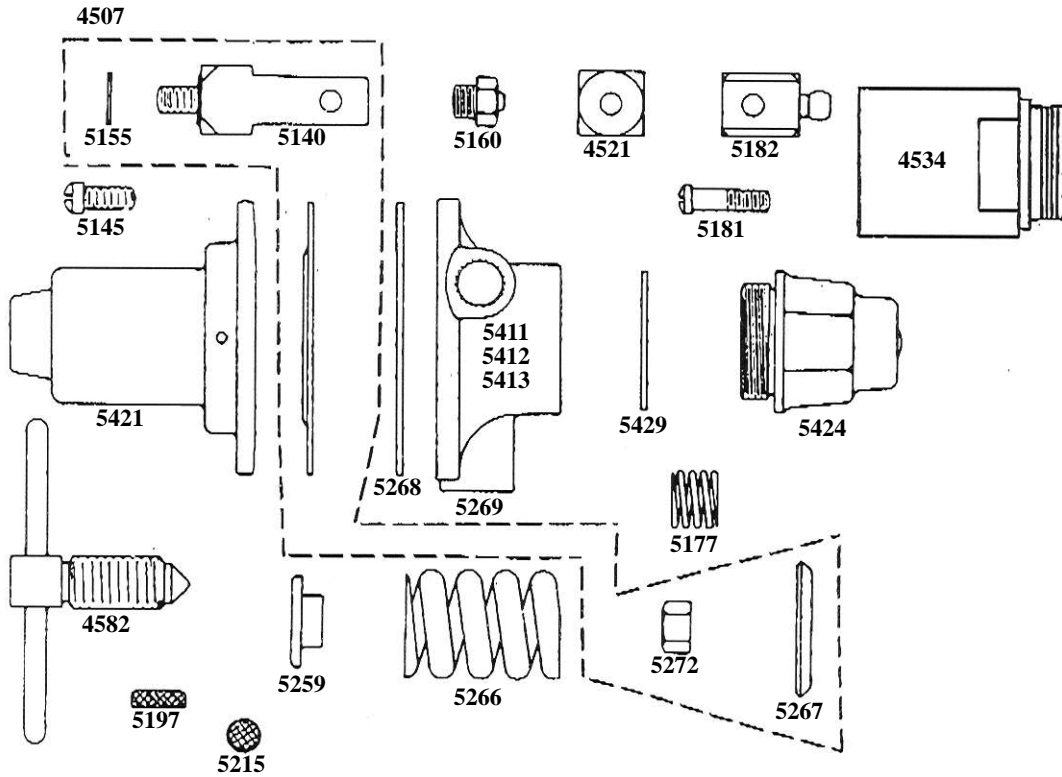


THE TYPE P HIGH PRESSURE REGULATORS . . . fill numerous needs throughout industry. Time proven for reliability and service, these regulators are designed around the special DIA-BLOCK feature. The diaphragm and seat block are directly connected by a precision machined YOKE. Any action on the diaphragm is instantly transmitted to the seat. The results being a high degree of sensitivity and accuracy.

MULTI-SEAT BLOCK . . . contains four seating surfaces which can be easily revolved as needed. No special tools are required to make this change. Various seating materials are available depending on gas compatibility.

ELECTROLESS NICKEL PLATING . . . is available as an option for most regulator models.

STAINLESS STEEL DIAPHRAGMS . . . manufactured in a convoluted design for easy flexing and sensitivity are standard.



Stock No.	Description
4507	Diaphragm-Yoke Assembly. 600 lb. type
4521	Seat Block with White Nylon Seats
4534	ENVIRO-CAP, Water Heated Back Cap Assembly
4582	Adjusting Screw 600 lb. Type.
5140	Yoke (Part of 4507)
5145	Bonnet Screw, (6 req'd.), Pkg. 12.
5155	Yoke Gasket, Teflon, Pkg. 12 (Part of 4507)
5160	Nozzle with 1/8 H Orifice, Standard, Pkg. 6
5177	Rear Spring
5181	Yoke Clamping Screw. Pkg. 6
5182	Yoke Guide
5197	Filter Screen. Pkg. 6
5215	Sintered Filter. Pkg. 12
5259	Spring Button for 600 lb. Type
5266	Compression Spnng for 600 lb. Pressure (Yellow)
5267	Diaphragm Plate (Part of 4507)..
5268	Diaphragm - 2 req'd (Part of 4507)
5269	Diaphragm Gasket, Pkg.6
5272	Diaphragm Plate Nut - (Part of 4507)
5411	Body. 1 inlet, 2 outlets P.1.DA
5412	Body, 1 inle1. 3 outlets P-1-DC
5413	Body, 2 inlets, 2 outlets P-1-DD
5421	Regulator Bonnet, Long Barrel 600 Type
5424	Back Cap
5429	Back Cap Gasket, Teflon, Pkg. 12