



# **FLOW SAFE**

*Environmental Performance for Industry!*

## **F80 SERIES SAFETY RELIEF VALVE**

- TYPE F84 (PLASTIC-SEATED)
- TYPE F85 (ELASTOMER-SEATED)
- -4, -6, -8 Orifices (WITH INTEGRAL BONNET)
- -4, -6, -8, -F, -G, -H, -J Orifices (WITH BOLTED BONNET)



## **INSTALLATION, OPERATION, & MAINTENANCE MANUAL**

Revision: D  
Date of Issue: April 1, 2003

Approved by:

\_\_\_\_\_  
Design Engineer

\_\_\_\_\_  
Service Manager

\_\_\_\_\_  
Engineering / Quality Mgr.

## TABLE OF CONTENTS

<u>Topic</u>	<u>Page</u>
1.0 General .....	3
2.0 Description, Operation, Service Envelope, Installation, & Startup	
2.1 Description / Operation .....	4
2.2 Service Envelope .....	5
2.3 Installation.....	5
2.4 Startup .....	6
3.0 Valve Maintenance	
3.1 Disassembly – ‘B’ Body (Integral Bonnet) Valves .....	7
3.2 Reassembly – ‘B’ Body (Integral Bonnet) Valves.....	7
3.3 Disassembly – ‘C’, ‘D’, ‘E’ Body (Bolted Bonnet) Valves.....	8
3.4 Reassembly – ‘C’, ‘D’, ‘E’ Body (Bolted Bonnet) Valves .....	8
4.0 Valve Testing and Adjustment	
4.1 Test Equipment.....	9
4.2 Setting / Adjustment Tolerances .....	9
4.3 Set Pressure and Blowdown Adjustments .....	10
4.4 Seat Tightness .....	10
4.5 Lift Lever Operation .....	10
5.0 Accessories.....	11
6.0 Troubleshooting Guide .....	12

### Illustrations

F84 - 4 / -6 / -8 (Plastic-Seated) Valve with “B” Body (Integral Bonnet).....	14
F84 Series (Plastic-Seated) Valve with Bolted Bonnet .....	15
F85 - 4 / -6 / -8 (Plastic-Seated) Valve with “B” Body (Integral Bonnet).....	16
F85 Series (Elastomer-Seated) Valve with Bolted Bonnet.....	17

## 1.0 GENERAL

1) This manual is intended to provide users with direction and guidance for the maintenance of FLOW SAFE F80 Series safety relief valves. This manual indicates the proper method of valve disassembly, soft goods replacement, and valve reassembly. FLOW SAFE provides this manual as a guideline and reference only. It is not intended to serve as a training manual or manufacturing guide. FLOW SAFE assumes no responsibility for personal or property damage that may occur in conjunction with this manual.

2) FLOW SAFE recommends that all valves be placed on a regular maintenance schedule that includes the routine replacement of softgoods. FLOW SAFE recommends softgoods replacement every three years but cautions that each customer make their own determination and set their own schedule based upon use and environment. FLOW SAFE believes that when maintenance and reassembly is performed as outlined in this manual there is no safety hazard.

Cycling the valve at least once a year is considered to be good practice to verify operation.

3) When a new valve leaves FLOW SAFE, it has been manufactured and tested by trained and experienced personnel. When you remove a valve from your system and perform the maintenance tasks that are outlined herein you will need proper training.

Do **not** attempt to accomplish these tasks without adequate training and understanding of the valve operation.

4) Any and all stated or implied warranties that are in effect during the purchase of a new FLOW SAFE valve are null and void once the valve has been disassembled by someone other than approved FLOW SAFE personnel.

All repair and resetting of "UV"-stamped safety relief valves should be performed either by FLOW SAFE, Inc., or by a National Board-certified valve repair shop holding a "VR" (Valve Repair) stamp.

5) It is highly recommended that all instructions herein be read in full prior to any assembly, disassembly, or operation of this equipment.

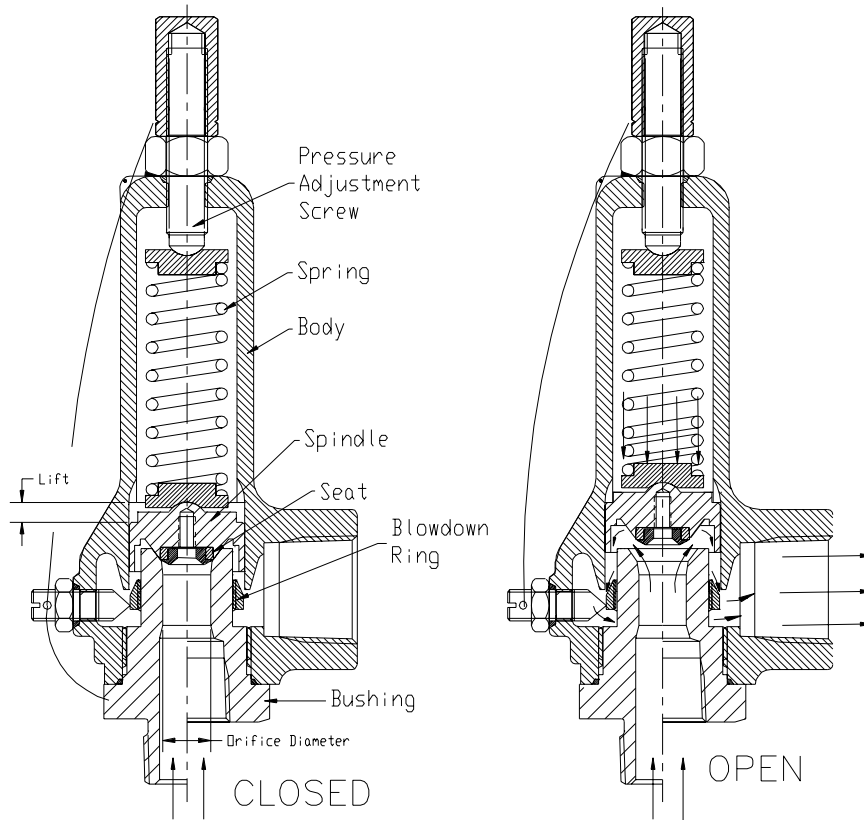
6) The noted manufacturer's standard lubricants should be used only if compatible with process fluid and application.

7) Specific design details described in this document are subject to change without notice.

8) Should the need arise for general assistance, contact the FLOW SAFE Sales department at (716) 662-2585 or (800) 828-1036. For more detailed technical assistance, contact the FLOW SAFE Engineering department at (716) 667-3640.

2.0 DESCRIPTION, OPERATION, SERVICE ENVELOPE,  
INSTALLATION, and STARTUP

2.1 DESCRIPTION / OPERATION



The FLOW SAFE F80 Series safety relief valve is a direct-acting spring-loaded relief valve, suitable for gas service. The Type F84 is plastic-seated and the F85 is elastomer-seated.

Orifice sizes are available in -4, -6, -8, -F, -G, -H, and -J with set pressures from 15 to 9612 psig (depending on the orifice size).

Blowdown, up to approx. 20%, is readily controlled by adjusting the blowdown ring. FLOW SAFE valves are typically shipped with 7% blowdown, allowing the valve to reseal bubbletight to approximately 93% of the set point.

**2.2 SERVICE ENVELOPE**

	Body Size	Material	ORIFICE SIZE						
			- 4	- 6	- 8	- F	- G	- H	- J
Maximum Set Pressure (psig)	Medium (B)	Brass	3500	2900	1125	---	---	---	---
		CS	4921	2900	1125	---	---	---	---
		SS	4921	2900	1125	---	---	---	---
		NACE	4921	2900	1125	---	---	---	---
	Large (C, D, E)	Brass	5000	4500	2600	500	500	382	298
		CS	9612	5774	4292	839	668	382	298
		SS	9612	5774	4292	839	668	382	298
		NACE	9612	5774	4292	839	668	382	298
	X-Large (C, D, E)	Brass	---	---	---	---	---	450	450
		CS	---	---	---	5000	3705	2750	2700
		SS	---	---	---	5000	3705	2750	2700
		NACE	---	---	---	5000	3705	2750	2700

SEAT MATERIAL	Temperature ( °F)	
	MAX.	MIN. *
<b>F84</b>		
Vespel	500	-423
PEEK	525	0
Teflon	400	-423
Kel-F	400	-423
<b>F85</b>		
Buna-N	275	-30
Viton	400	-30
EPR	325	-65
Kalrez	500	0
Polyurethane	225	-60

\* Confirm service / application with factory.

**2.3 INSTALLATION**

Prior to installation, check that the set pressure on the nameplate is as required, and meets the system requirements.

The F80 Series safety relief valve should be installed in the upright position per the figure on the next page, as close as possible to the pressure source, to minimize pressure losses between the system and the valve. This should be in accordance with accepted piping practices, as set forth in the API RP 520, Part II, which recommends that inlet piping pressure losses should not exceed 3% of the set pressure when the valve is flowing.

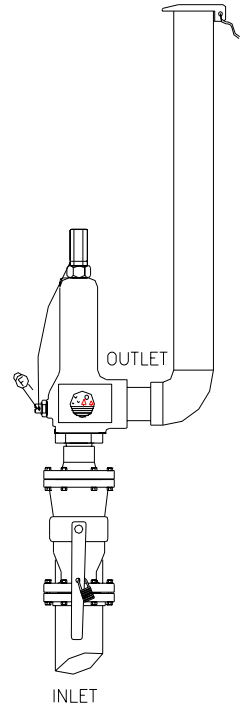
The valve discharge pipe should be sufficiently large so that backpressure does not exceed 10% of the set pressure when relieving. Higher backpressures may cause the valve to chatter (rapid cycle), or affect capacity.

The F80 Series valves are **not** balanced against superimposed backpressure, so that the set pressure will change one-for-one with the backpressure. This means that for each 1 psi of backpressure, the set pressure will increase by 1 psi. Refer to Section 4.3 for setting instructions. **Check the valve manufacturer's nameplate(s) to determine if the valve was already set with a correction for backpressure.**

Make sure that the inlet piping/flanges have an opening equal to or greater than the valve's inlet diameter. Make sure that there are no obstructions like gaskets, fittings, etc., in the flow path to restrict the flow or cause chatter.

If a block valve is used below the relief valve, it should be opened before pressurizing the system. This block valve should be locked open during normal system operation.

Use only the wrench flats on the valve inlet bushing, taking care not to make any wrench marks, for tightening and installation. Do not wrench on cast body or bonnet.



F80 SERIES  
TYPICAL INSTALLATION

## 2.4 STARTUP

Foreign particles or dirt can damage the valve and make it inoperative. Prior to installation, clean out the piping thoroughly. If the valve is not installed immediately, inlet and outlet connections should be protected and covered.

Pressure can be applied to the valve as system pressure increases, or by opening the block valve (if there is one) after the system has attained operating pressure. Verify the valve seat is leak-tight, in accordance with Section 4.4.

The valve is now ready for service. Inspection and maintenance should be performed on a regular basis, typically once a year, depending on the service conditions.

### 3.0 VALVE MAINTENANCE

#### 3.1 DISASSEMBLY – 'B' BODY (INTEGRAL BONNET) VALVES

(See Illustrations on pages 14 and 16)

**CAUTION:** It is extremely dangerous to attempt to disassemble any valve while it remains in service with incoming line pressure.

- 1) Remove the valve from service, or adequately and safely block the incoming pressure before disassembling the valve and performing maintenance.

**NOTE:** If bushing remains connected to the system piping, then the valve's internal components (spring, washer, spindle) will fall out of the body as it is removed.

- 2) Cut and remove the lockwire.
- 3) For valves with lift lever, first remove the lock nut and lift lever. Slowly unscrew the bushing, holding the shaft. Unscrew the lift lever housing.
- 4) Remove the pressure adjusting (PA) screw cap. Measure the height of the PA screw above the body and record value. For lift levers, record distance from jam nut to top of threaded lifting rod. Remove jam nut and lift nut.
- 5) Loosen the PA screw lock nut. Loosen PA screw until spring load is removed.
- 6) Record the gap between the bottom of the blowdown (BD) ring and bushing shoulder. Then loosen the BD lock nut and lock screw.
- 7) Unscrew and remove the bushing, using the wrench flats.
- 8) Remove the spindle assembly. Remove retainer screw (if applicable), retainer, and seat.
- 9) Remove the spring washer(s), spring, and lifting rod assembly (if applicable).
- 10) Replace the softgoods per the instructions in Section 3.2.
  - Replacement parts may be found in the appropriate FLOW SAFE softgoods kit, as listed in Section 5.0 of this manual.

#### 3.2 REASSEMBLY – 'B' BODY (INTEGRAL BONNET) VALVES

- 1) Reassembly of these valves is basically the reverse of the disassembly.

**NOTE:** Care must be taken in the handling of all items, particularly softgoods and nozzle surfaces.

- 2) Inspect condition of nozzle seating surface and spindle guide surface inside body. Buff out or polish any scratches that may interfere with a good seal, or replace part if necessary.
- 3) Apply Neverseez or DuPont Krytox (for oxygen service) to all straight threads.
- 4) Complete the seat assembly as follows:
  - a) **F84:** Insert the plastic seat, seat retainer, and retainer screw into the spindle. Install the seat dry. Apply Loctite or Vibra-tite to retainer screw threads. As screw is tightened, ensure that it meets firm resistance against the locking Heli-Coil in spindle.
  - b) **F85:** Insert the O-ring seat into the spindle. To ease seat installation, apply a light coat of Dow Corning 33 or 55 (or Molykote) or Krytox (oxygen service). If fitted with a push-in retainer, the retainer must fit tight as it is pushed in against the seat (tapered end inward). If fitted with a set screw, install the screw in the top of the spindle. Newer models will incorporate a retainer screw; apply Loctite or Vibra-tite to threads and tighten firmly.

- 5) Assemble the spring washer(s), spring, and lift lever (if applicable) into the body.
- 6) Insert the spindle assembly into the body, making sure that it travels freely on the guide surface.
- 7) Screw the blowdown ring onto the bushing, to the same gap as previously recorded.
- 8) Position the bushing seal on the appropriate shoulder of the bushing.
- 9) Screw the bushing / seal / BD ring assembly into the body and tighten using the wrench flats.
- 10) Screw the PA screw, lock nut, and seal into the top of the body, with top of screw at previously recorded value.
- 11) For lift levers, assemble the PA screw, lock nut, and seal around lifting rod. Then reassemble the lift nut and jam nut to the previously recorded position. Assemble the lift lever housing and then the bushing, seals, shaft, lift lever, and lock nut.
- 12) Screw the BD ring lock screw, lock nut, and seal into the back of the body.
- 13) The valve is now completely assembled and ready to be tested. See Section 4.0.

### **3.3 DISASSEMBLY – ‘C’, ‘D’, ‘E’ BODY (BOLTED BONNET) VALVES**

(See Illustrations on pages 15 and 17)

**CAUTION:** It is extremely dangerous to attempt to disassemble any valve while it remains in service with incoming line pressure.

- 1) Remove the valve from service, or adequately and safely block the incoming pressure before disassembling the valve and performing maintenance.

**NOTE:** If bushing remains connected to the system piping, then the valve's spindle will fall out of the body as it is removed.

- 2) Cut and remove the lockwire.
- 3) For valves with lift lever, first remove the lock nut and lift lever. Slowly unscrew the bushing, holding the shaft. Unscrew the lift lever housing.
- 4) Remove the pressure adjusting (PA) screw cap. Measure the height of the PA screw above the body and record value. For lift levers, record distance from jam nut to top of threaded lifting rod. Remove jam nut and lift nut.
- 5) Loosen the PA screw lock nut. Loosen the PA screw until the spring load is removed.
- 6) Unscrew and remove the four bolts, nuts, and lockwashers between the body and bonnet.
- 7) Remove the washer(s), spring, and lifting rod subassembly (if applicable).
- 8) Record the gap between the bottom of the blowdown (BD) ring and the bushing shoulder. Then loosen the BD lock nut and lock screw.
- 9) Unscrew and remove the bushing, using the wrench flats.
- 10) Remove the spindle assembly. Remove retainer screw (if applicable), retainer, and seat.
- 11) Replace the softgoods per the instructions in Section 3.4.
  - Replacement parts may be found in the appropriate FLOW SAFE softgoods kit, as listed in Section 5.0 of this manual.

### **3.4 REASSEMBLY – ‘C’, ‘D’, ‘E’ BODY (BOLTED BONNET) VALVES**

- 1) Reassembly of these valves is basically the reverse of the disassembly.

**NOTE:** Care must be taken in the handling of all items, particularly softgoods.

- 2) Inspect condition of nozzle seating surface and spindle guide surface inside body. Buff out or polish any scratches that may interfere with a good seal, or replace part if necessary.
- 3) Apply Neverseez or DuPont Krytox (for oxygen service) to all straight threads.



- 4) Complete the seat assembly as follows:
  - a) **F84:** Insert the plastic seat, seat retainer, and retainer screw into the spindle. Install the seat dry. Apply Loctite or Vibra-tite to retainer screw threads. As screw is tightened, ensure that it meets firm resistance against the locking Heli-Coil in spindle.
  - b) **F85:** Insert the O-ring seat into the spindle. To ease seat installation, apply a light coat of Dow Corning 33 or 55 (or Molykote) or Krytox (oxygen service). If fitted with a push-in retainer, the retainer must fit tight as it is pushed in against the seat (tapered end inward). If fitted with a set screw, install the screw in the top of the spindle. Newer models will incorporate a retainer screw; apply Loctite or Vibra-tite to threads and tighten firmly.
- 5) Insert the spindle assembly into the body, making sure that it travels freely on the guide surface.
- 6) Screw the BD ring onto the bushing, to the same gap as previously recorded.
- 7) Position the bushing seal on the appropriate shoulder of the bushing.
- 8) Screw the bushing / seal / blowdown ring assembly into the body and tighten using wrench flats.
- 9) Assemble the spring washer(s), spring, and lifting rod subassembly (if applicable) into the bonnet.
- 10) Assemble the bonnet, bolts, nuts, and lockwashers to the body. Torque to following value:
 

25-30 ft-lbs	--	3/8-in bolts marked "B8" on 'C'-body
25-30 ft-lbs	--	1/2-in bolts marked "B8" on 'D' or 'E' body
65-70 ft-lbs	--	1/2-in bolts marked "B8" on 'D' or 'E' body
- 11) Screw the PA screw, lock nut, and seal into the top of the body, with top of screw at previously recorded value.
- 12) For lift levers, assemble PA screw, lock nut, and seal around lifting rod. Then reassemble the lift nut and jam nut to previously recorded position. Assemble the lift lever housing and then the bushing, seals, shaft, lift lever, and lock nut.
- 13) Screw the BD lock screw, lock nut, and seal into the back of the body.
- 14) The valve is now completely assembled and ready to be tested. See Section 4.0.

## **4.0 VALVE TESTING AND ADJUSTMENT**

The following tests and adjustments are necessary for gas service valves: set pressure, reseal pressure (blowdown), and seat tightness.

### **4.1 TEST EQUIPMENT**

Where practical, a sufficiently large accumulator or pressure vessel should be used to read and set blowdown. At a minimum a four (4) ft<sup>3</sup> vessel is recommended for the -4 orifice to 4000 psig, -6 orifice to 1500 psig, and -8 to 600 psig. The supply pipe should have an ID equal to or greater than the valve's, and should be no more than 10" long.

### **4.2 SETTING / ADJUSTMENT TOLERANCES**

<u>Set Pressure:</u>	<u>Set Pressure</u>	<u>Tolerance</u>
	> 70 psig	<b>± 3%</b> of specified set pressure
	≤ 70 psig	<b>± 2 psi</b>

Seat Tightness: There should be ZERO leakage with inlet pressure at or below:

- **0.90 x set pressure**, if set pressure > 50 psig
- **5 psi below set pressure**, if set pressure ≤ 50 psig

### **4.3 SET PRESSURE and BLOWDOWN ADJUSTMENTS**

- NOTES:
- 1) If the set pressure is changed more than  $\pm 5\%$  from the nameplate set pressure, then the spring, spring washer, PA screw, body, and bonnet may need to be changed. Consult the factory or an authorized FLOW SAFE assembler for the correct parts.
  - 2) If the valve must be set to compensate for constant superimposed backpressure, the set pressure to be used on a test stand (with zero backpressure) is obtained by subtracting the amount of backpressure from the desired in-service set pressure.

Example:	Desired set point (in service):	100 psig
	Superimposed backpressure:	10 psig
	Adjusted set pressure ( <i>without</i> backpressure):	90 psig

- 1) Remove the PA screw cap (if installed), loosen the PA screw lock nut, and screw the PA screw in (clockwise) most of the way.
- 2) Increase the inlet pressure to the desired level, and then unscrew (counterclockwise) the PA screw until the valve pops. Tighten down the lock nut and retest. Readjust as required.
- 3) To adjust blowdown:
  - a) Be sure the blowdown lock screw and lock nut are loosened.
  - b) Raise or lower the blowdown ring using a screwdriver through the valve outlet. Raising the ring shortens blowdown; lowering the ring lengthens blowdown.
  - c) Re-tighten lock screw and lock nut after adjustments have been made. Tighten lock screw firmly into blowdown ring knurls enough to prevent ring from turning.
- 4) Install and tighten down the PA screw cap. Test valve at least one more time to verify pop pressure and blowdown.

### **4.4 SEAT TIGHTNESS**

- 1) After any repairs and set pressure adjustments, seat tightness should meet the criteria stated in Section 4.2.
- 2) If the valve leaks after repair refer to the troubleshooting guide on Pages 12 & 13. Check for:
  - Even seating between the spindle and bushing. With the F84's, you should be able to see a full circular line contact on the bushing surface. Make sure that the seat is installed all the way in the spindle and that the retainer is tight.
  - Foreign particles trapped between the seat and bushing. If found, they may have damaged the seat, requiring that it be replaced.
  - Scratches in the seating area of the bushing. On the F84, this is the top beveled surface, near the ID. On the F85, this is the top crown on the bushing.

### **4.5 LIFT LEVER OPERATION**

**CAUTION:** Do not operate a lift lever unless valve inlet pressure is at least 75% of nameplate set pressure. Prepare the system as necessary to handle a discharge from the valve.

**NOTE:** The lift lever enables verification that the valve spindle and seat can open freely, but does not allow set pressure to be verified.

- 1) With inlet pressure as stated in the above CAUTION, rotate the lift lever handle clockwise or counterclockwise until it meets resistance.

- 2) Continue rotating the handle slowly until there is indication of flow through the valve. The F80 spindle should pop open following initial simmer and then quickly reclose, assuming inlet pressure is below reseal pressure (normally 90-93% of set pressure). If the valve is opened above its reseal pressure, the valve should stay open long enough to blow down to that pressure.
- 3) Return the lift lever handle to the down position. If flow through valve could not be achieved, or if the valve does not close, have the valve disassembled and serviced by a qualified organization.

**5.0 ACCESSORIES**

**1) Softgoods Kits**

Orifice / Body	Kit Part Number			
	F84	F84 w/lift lever	F85	F85 w/lift lever
- 4 / B	F84B-4-XT	F84B-4L-XT	F85B-4-DXT	F85B-4L-DXT
- 6 / B	F84B-6-XT	F84B-6L-XT	F85B-6-DXT	F85B-6L-DXT
- 8 / B	F84B-8-XT	F84B-8L-XT	F85B-8-DXT	F85B-8L-DXT
- 4 / C	F84C-4-XT	F84C-4L-XT	F85C-4-DXT	F85C-4L-DXT
- 6 / C	F84C-6-XT	F84C-6L-XT	F85C-6-DXT	F85C-6L-DXT
- 8 / C	F84C-8-XT	F84C-8L-XT	F85C-8-DXT	F85C-8L-DXT
- F / D	F84D-F-XT	F84D-FL-XT	F85D-F-DXT	F85D-FL-DXT
- G / D	F84D-G-XT	F84D-GL-XT	F85D-G-DXT	F85D-GL-DXT
- H / E	F84E-H-XT	F84E-HL-XT	F85E-H-DXT	F85E-HL-DXT
- J / E	F84E-J-XT	F84E-JL-XT	F85E-J-DXT	F85E-JL-DXT

Code	X = Seat Material		D = Seat Hardness (F85)	
	F84M	F85M	Code	
T	Teflon	---	5	Soft: ≤ 50 psig
K	PCTFE / Kel-F	---	7	Medium: 51-999 psig
W	Vespel	---	9	Hard: ≥ 1000 psig
P	PEEK	---	0	“Universal”: 1 each of above seats
F	Ekonol-filled Teflon	---		
B	---	Buna-N		
V	---	Viton		
U	---	Polyurethane		
E	---	EPR / EPDM		
Z	---	Kalrez		
C	---	Chemraz		
N	---	Lo-temp nitrile		

*Most common seat materials listed; contact Flow Safe for availability of other materials. Seat hardness vs. set pressure listings for F85 are approximate only. “T” in kit part number indicates seals are Teflon.*

**SOFTGOODS KIT CONTENTS (See pages 14 through 17)**

<b>Qty.</b>	<b>Description</b>
1*	Seat
1	Bushing Seal
1	PA Screw Seal
1	Blowdown Lock Screw Seal
1	Bonnet / Body Seal ('C', 'D', 'E' Bodies only)

\* Additional seats provided with "universal" kit.

**2) Lift Lever Kits**

<b><u>Orifice</u></b>	<b><u>Part Number</u></b>
- 4, - 6, - 8 ('B' Body)	01-4200-03
- 4, - 6, - 8 ('C' Body)	01-4232-03
- F, - G ('D' Body)	01-4201-03
- H, - J ('E' Body)	01-4202-03

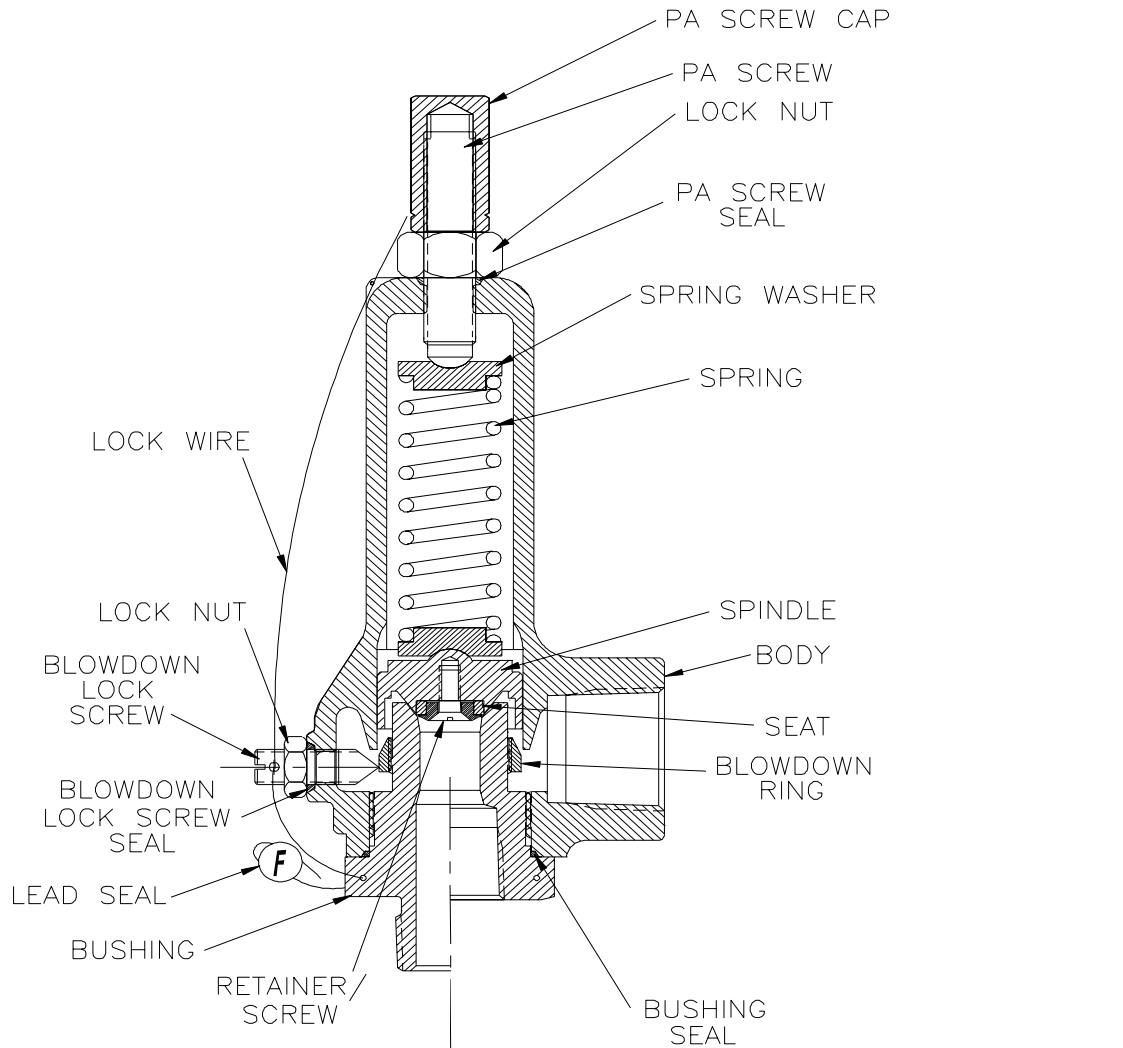
**6.0 TROUBLESHOOTING GUIDE:**

<b>Symptom</b>	<b>Possible Cause</b>	<b>Remedy</b>
The valve leaks around the bushing.	Inadequate bushing torque.	Tighten until the bushing bottoms firmly on the body.
	Sealing surface on body or bushing is damaged.	Inspect and polish sealing surfaces.
	Bushing seal is damaged or contaminated.	Remove bushing seal. If damaged, replace with new seal. If contaminated, clean and replace.
The valve leaks through the outlet.	Seat or nozzle seating surface is damaged or contaminated.	Disassemble the valve, remove the spindle, and examine the seat and seating surface under magnification. If damaged, replace with new seat; if contaminated, clean and reinstall.
	Uneven torque on body-to-bonnet bolts	Torque bolts evenly (see P. 9 for values)
The valve does not close.	The spindle is stuck.	Disassemble and check for binding. Deburr or replace parts.
The valve opens below the designated set point.	The spring preload is low due to misadjustment, vibration, or other.	Adjust pressure adjusting screw in (clockwise). Ensure PA screw lock nut and cap are tight.
	The seat leaks due to possible damage, allowing early simmer and pop.	Disassemble and inspect seat; replace if damaged.

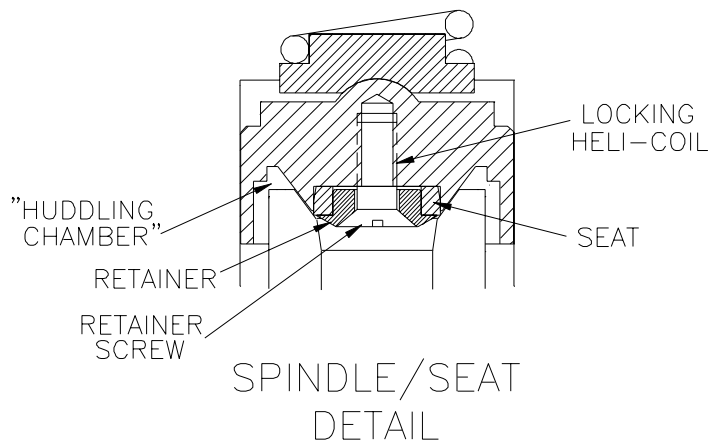
**6.0 TROUBLESHOOTING GUIDE (cont'd):**

<b>Symptom</b>	<b>Possible Cause</b>	<b>Remedy</b>
The valve opens above the designated set point.	The spring preload is high.	Adjust PA screw out (counterclockwise).
	The spindle is stuck or sticking.	Disassemble and check for binding. Deburr or replace parts. Check for a permanent nozzle impression in the O-ring seat (F85). Replace or contact factory.
	Backpressure exists.	See below under "The valve does not open."
The valve does not open.	Spindle is stuck closed.	Disassemble the valve and examine the sliding surfaces. If damaged, replace. If contaminated, clean.
	Nozzle stuck to seat.	Disassemble and check seat for permanent impression. Replace O-ring seat (F85) with harder material.
	The set pressure has not been reached.	Increase inlet pressure. Confirm pressure gage is calibrated.
	Isolation valve is closed.	Open isolation (block) valve.
	There is superimposed backpressure.	Increase pressure until valve pops, or adjust (lower) set pressure (1:1) to compensate for backpressure [See Section 4.3].
The valve chatters or rapid-cycles	The valve is oversized for the application.	Install smaller valve.
	The inlet is choked.	Open the inlet to be equal to or greater than the valve orifice.
	Too much built-up backpressure due to excessive flow, or outlet piping undersized or too long.	At a backpressure equal to approximately 40% of set pressure, chatter / rapid-cycling may start.  Reduce backpressure by reducing flow rate or reworking outlet piping (increase size; shorten; reduce number of turns). It is recommended that outlet piping size be equal to or greater than the valve outlet size.

**F84 -4 / -6 / -8 (Plastic-Seated) Valve  
with "B" Body (Integral Bonnet)  
ASSEMBLY ILLUSTRATION**



See Page 15 for  
typical lift lever assembly.



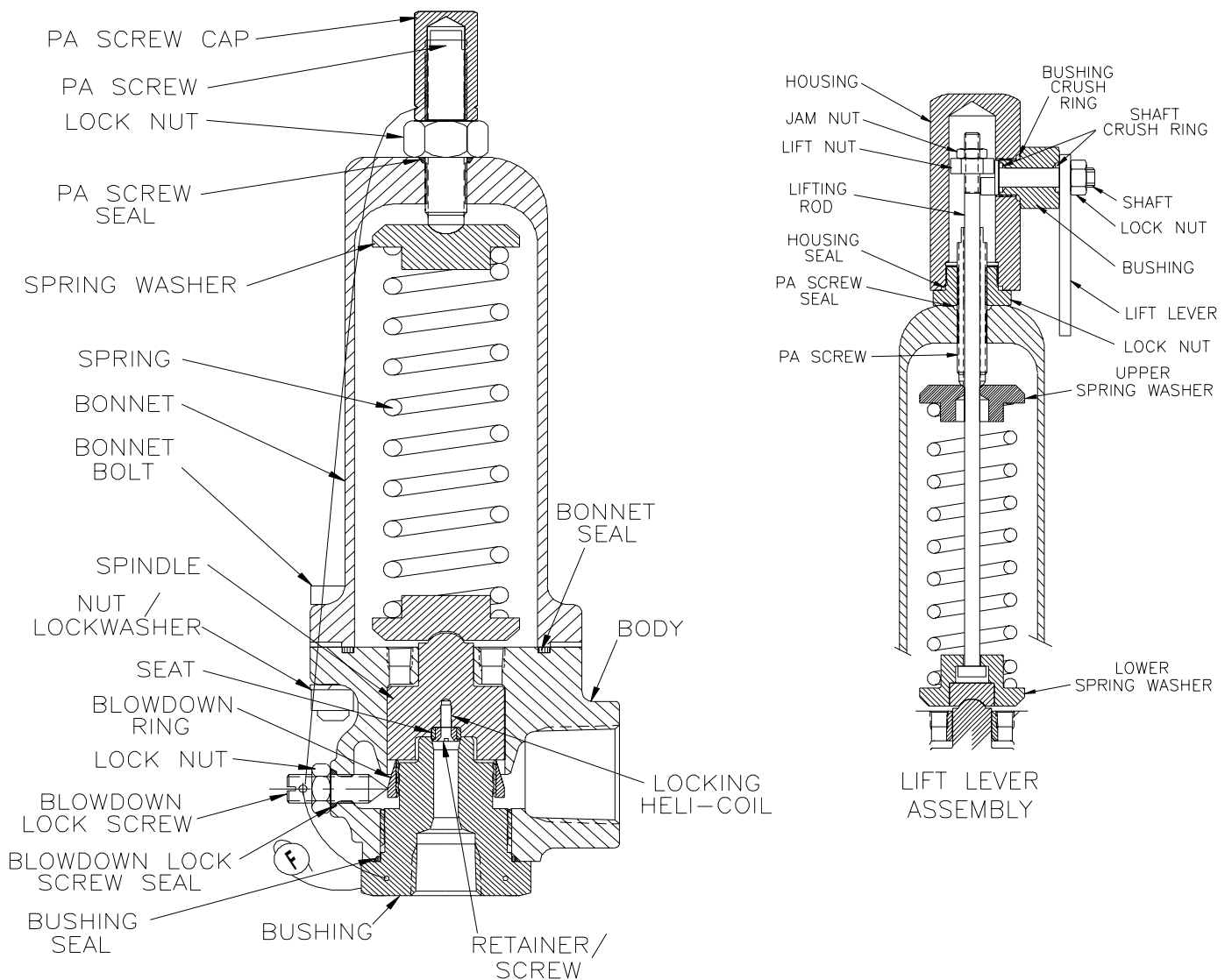
**F84 SERIES (Plastic-Seated) Valve  
with Bolted Bonnet**

**ASSEMBLY ILLUSTRATION**

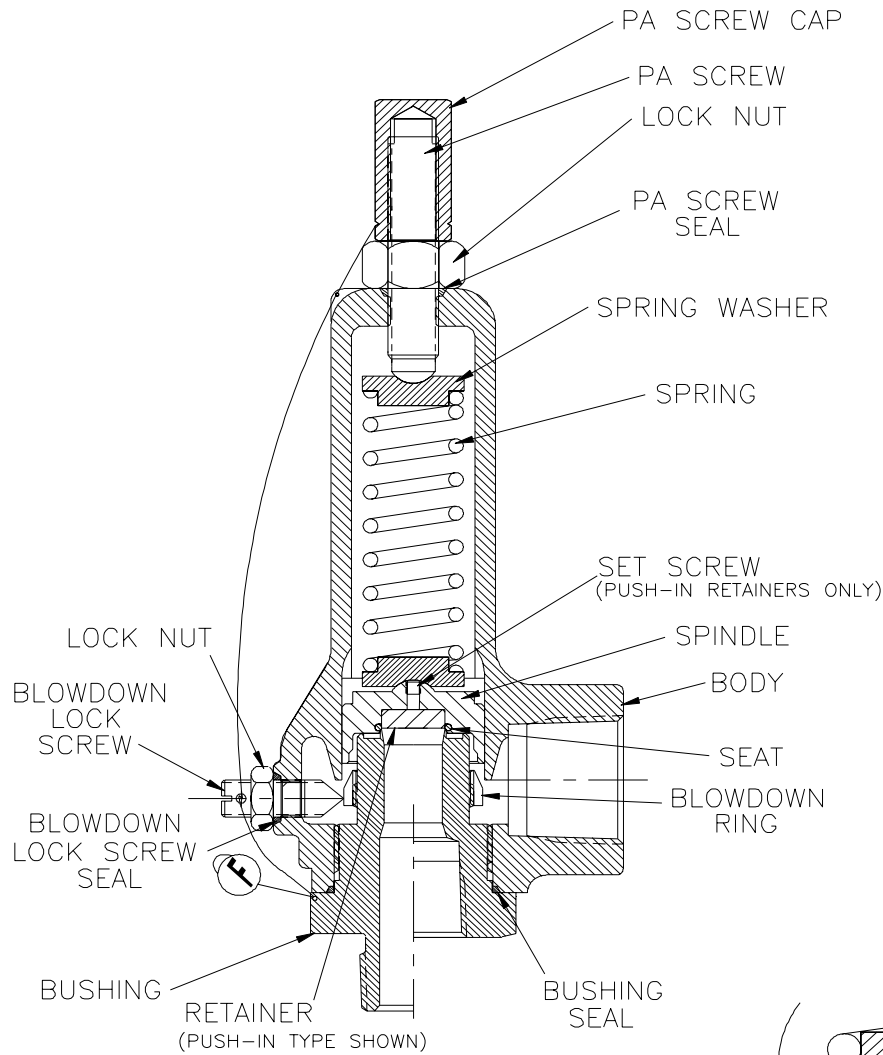
**F84 -4 / -6 / -8, "C" Body**

**F84 -F / -G, "D" Body**

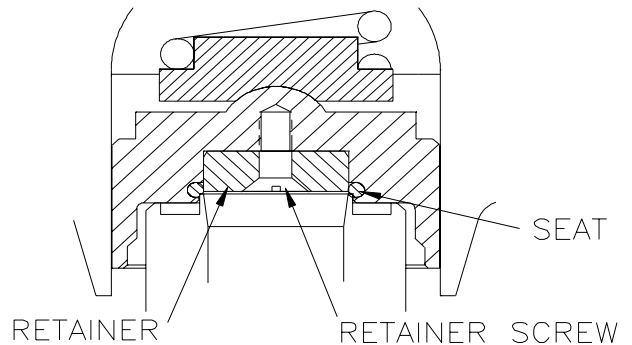
**F84 -H / -J, "E" Body**



**F85 -4 / -6 / -8 (Elastomer-Seated) Valve  
with "B" Body (Integral Bonnet)  
ASSEMBLY ILLUSTRATION**



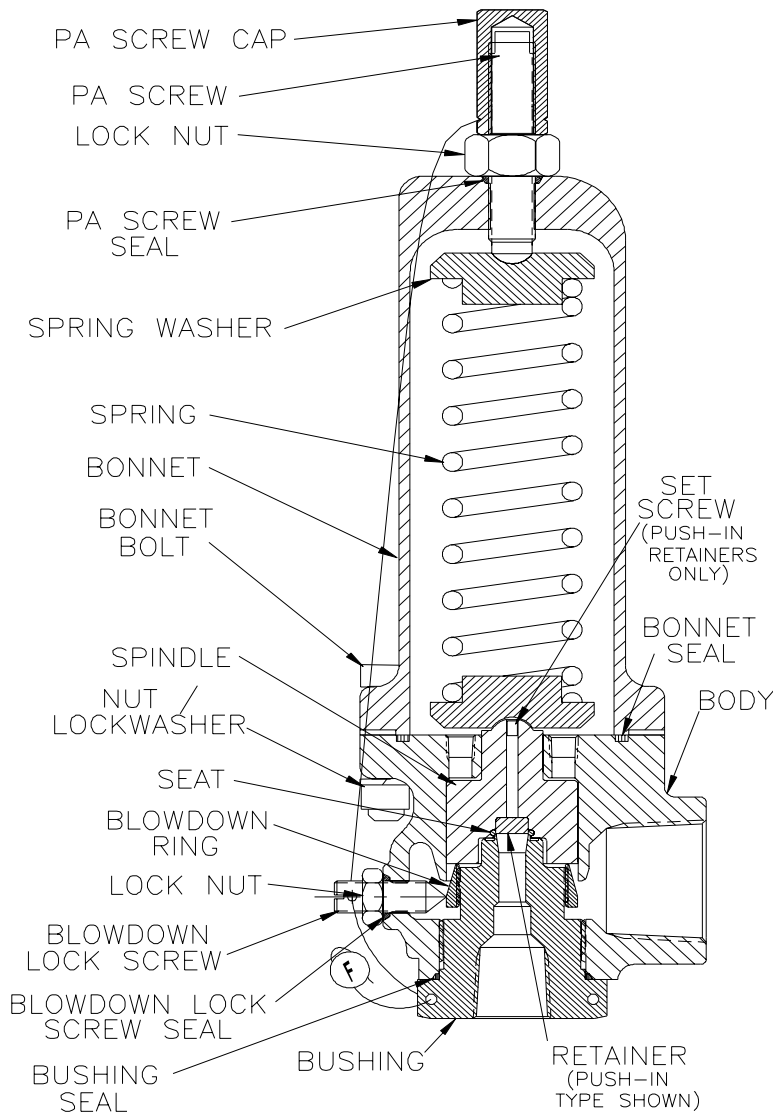
See Page 15 for  
typical lift lever assembly.



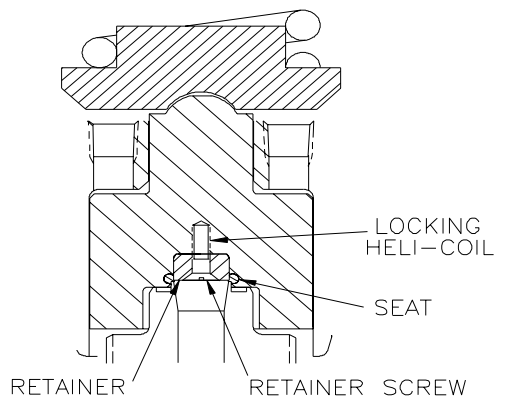
SPINDLE/SEAT DETAIL  
(NEWER MODELS ONLY)



**F85 SERIES (Elastomer-Seated) Valve  
with Bolted Bonnet  
ASSEMBLY ILLUSTRATION  
F85 -4 / -6 / -8, "C" Body  
F85 -F / -G, "D" Body  
F85 -H / -J, "E" Body**



See Page 15 for typical lift lever assembly.



**SPINDLE/SEAT DETAIL  
(NEWER MODELS ONLY)**