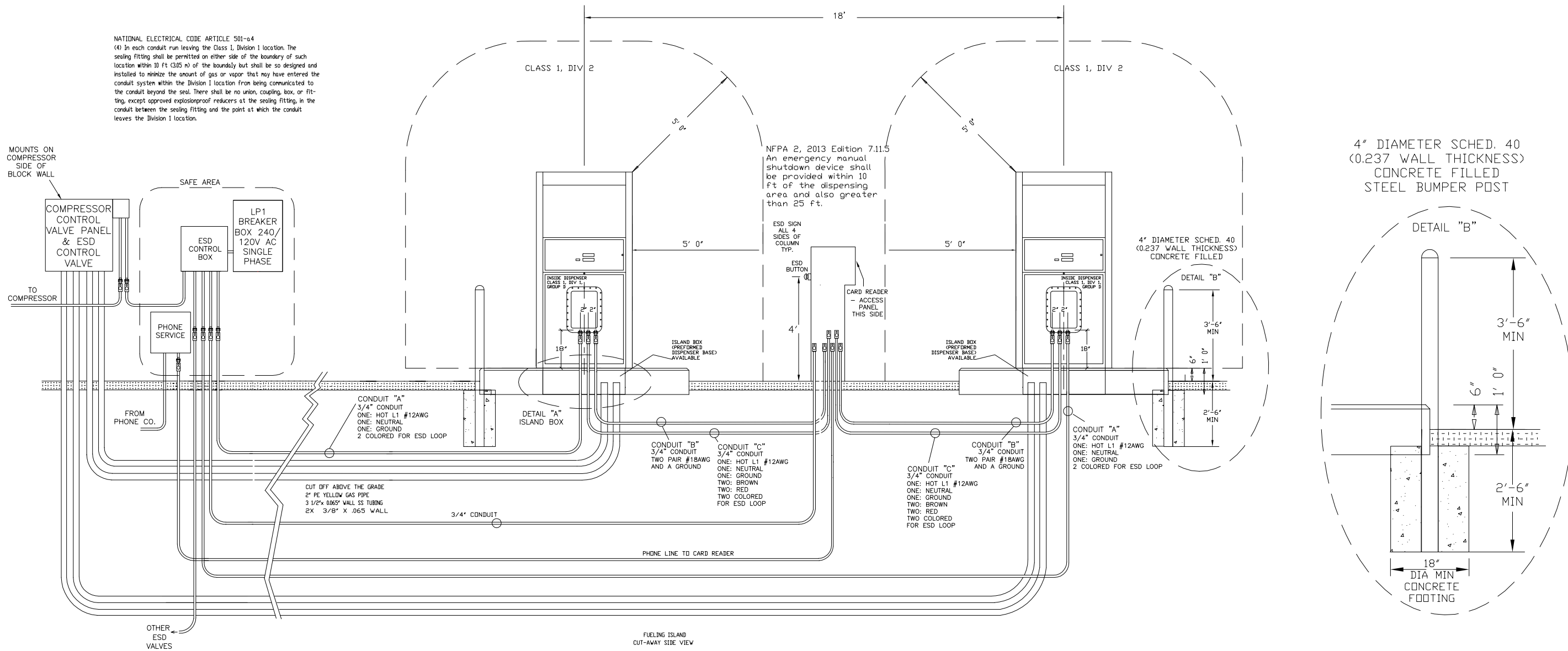
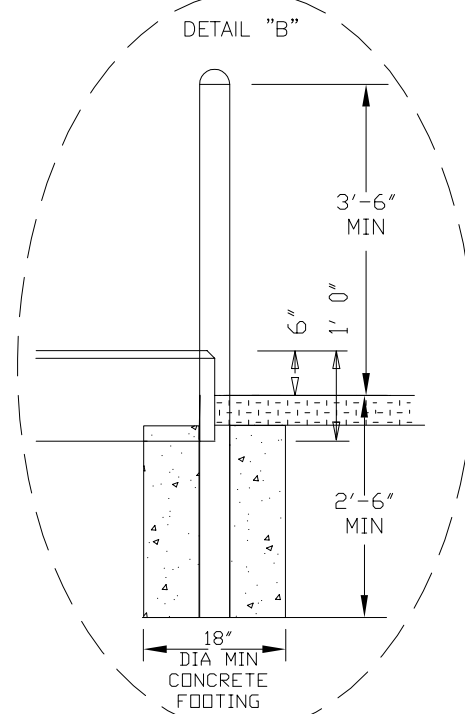


NATIONAL ELECTRICAL CODE ARTICLE 501-a4  
(4) In each conduit run leaving the Class 1, Division 1 location, the sealing fitting shall be permitted on either side of the boundary of such location within 10 ft (3.05 m) of the boundary but shall be so designed and installed to minimize the amount of gas or vapor that may have entered the conduit system within the Division 1 location from being communicated to the conduit beyond the seal. There shall be no union, coupling, box, or fitting, except approved explosionproof reducers at the sealing fitting, in the conduit between the sealing fitting and the point at which the conduit leaves the Division 1 location.



4" DIAMETER SCHED. 40  
(0.237 WALL THICKNESS)  
CONCRETE FILLED  
STEEL BUMPER POST



MODEL:	SEQUENCE	DATE
PROGRAM:	CHECKED BY: -	09-09-13
SERIAL NO.:	APPROVED BY: -	
WORK ORDER:	PART: -	
MATERIAL:	DWG. NO. Island Conduit for 2 Dispensers	
	DRAWN BY: MB	
	TULSA GAS TECHNOLOGIES, INC. 4809 South 101st East Avenue Tulsa, OK 74146 918-665-2641 FAX: 918-665-2657	

