

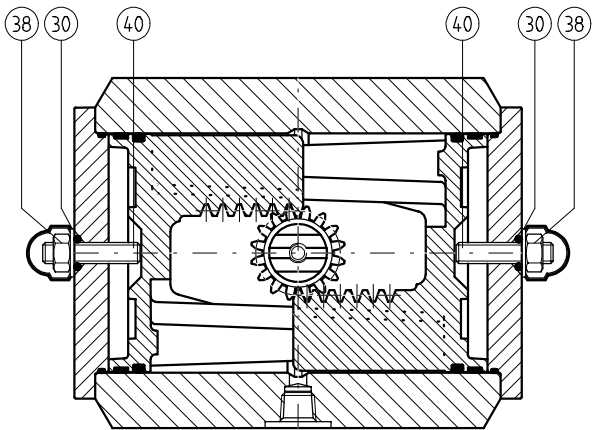
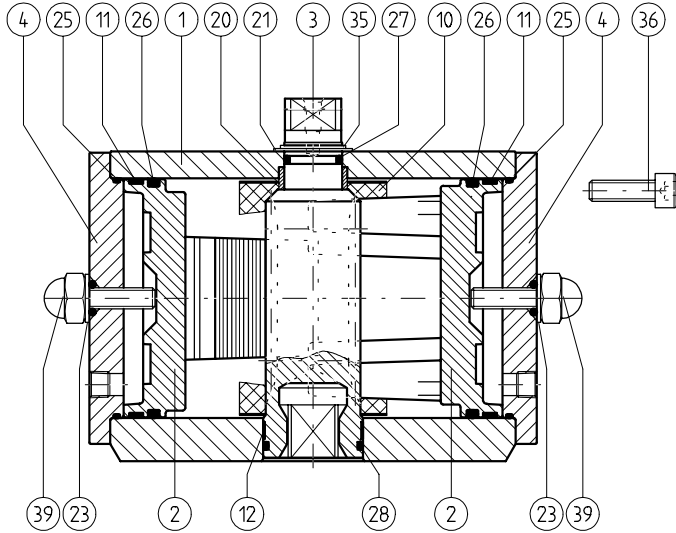
Subject to change without notice

VALVE AUTOMATION  
SYSTEMS

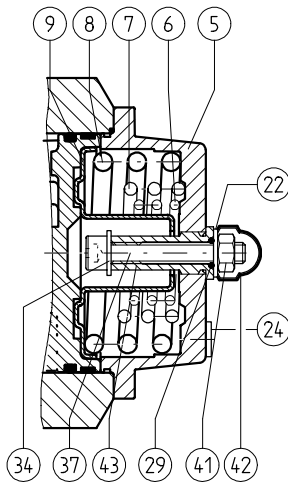
ELCO-MATIC  
INTERNATIONAL

Nr.:  
A1.101.40  
All rights reserved

Date:  
June '99



DOUBLE ACTING  
EDA



SPRING RETURN  
ESA

Nr.	Description	Qty.	Material	Specification	Note
1	Body	1	Steel	SAE 1518H	3
2	Piston	2	Aluminum Alloy	UNS A03560, ASTM B26	-
3	Drive Shaft	1	Stainless Steel	Sandvik 1802, SS2382	-
4	End Cap EDA	2	Steel	SAE 1518H	3
5	End Cap ESA	2	Steel	SAE 1518H	3
6	Spring- inner	2	Carbon Spring Steel	UNS G10860, ASTM A228	2
7	Spring- mid	2	Carbon Spring Steel	UNS G10860, ASTM A228	2
8	Spring- outer	2	Carbon Spring Steel	UNS G10860, ASTM A228	2
9	Spring Holder	2	Steel	C45, DIN 17200	1
10	* Guide Band	1	Nylatron GS	PA6.6 + MoS2	-
11	* Guide Band	2	PTFE, Carbon filled	PTFE + 25% C	-
12	* Bearing Bush	1	Nylatron GS	PA6.6 + MoS2	-
20	* Bearing Bush	1	Delrin	POM	-
21	* Thrust Washer	1	CRMZX100	-	-
22	* Washer ESA	2	Nylon	PA6	-
23	* Washer EDA	2	Nylon	PA6	-
24	Air Filter	2	Sintered Bronze	CuZn + CuSn	-
25	* O-ring	2	Nitrile Rubber	Buna N	-
26	* O-ring	2	Nitrile Rubber	Buna N	-
27	* O-ring	1	Nitrile Rubber	Buna N	-
28	* O-ring	1	Nitrile Rubber	Buna N	-
29	* O-ring	4	Nitrile Rubber	Buna N	-
30	* O-ring	2	Nitrile Rubber	Buna N	-
34	Washer ESA	2	Steel	SAE 1012	1
35	* Spring Clip	1	Carbon Spring Steel	MIL - R-212 48B	2
36	End Cap Bolt EDA/ESA	8	Steel	8.8 ASTM F568	1
37	Limit Stop Bolt ESA	2	Stainless Steel	AISI 304	-
38	Nut	2	Stainless Steel	AISI 304	1
39	Nut Cover EDA	2	Polyethylene	PE	-
40	Limit Stop Bolt EDA	2	Stainless Steel	AISI 304	-
41	Nut	2	Stainless Steel	AISI 304	-
42	Nut Cover ESA	2	Polyethylene	PE	-
43	Threaded Insert	2	Steel	UNS G10430, ASTM A29	3

\* and Spare Parts (contained in Repair Kit)

**Finish:** Two component polyurethane coating (see A 4.204.01)

**Note:** 1) Zinc plated and passivated.  
2) Delta Tone® coating  
3) Phosphated

Dimensions according to data sheet A1.103.131.  
All materials are European origin, listed are the nearest U.S. equivalents.

CONSTRUCTION, PARTS AND MATERIALS CARBON STEEL ACTUATOR

E