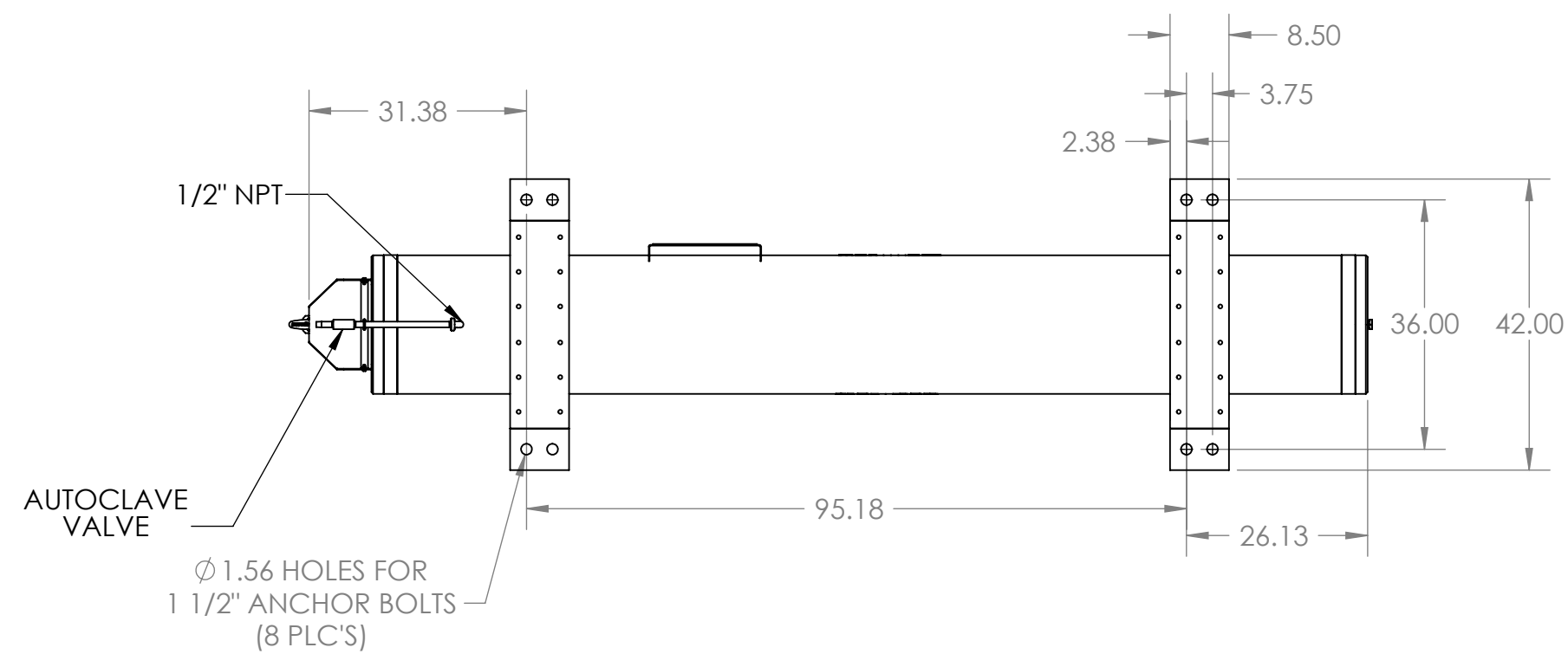



DETAIL A  
SCALE 1 : 4



<b>PROPRIETARY AND CONFIDENTIAL</b>			DIMENSIONS ARE IN INCHES			<b>WILCO MACHINE AND FAB, INC.</b>
THE INFORMATION CONTAINED IN THIS DRAWING IS THE SOLE PROPERTY OF WILCO MACHINE & FAB, INC. ANY REPRODUCTION IN PART OR AS A WHOLE WITHOUT THE WRITTEN PERMISSION OF WILCO MACHINE & FAB, INC. IS PROHIBITED.			TOLERANCES UNLESS OTHERWISE SPECIFIED:			
COMMENTS:			FABRICATION	MACHINE	TITLE: ASSY-CNG-STORAGE TANKS-3 X 12'-CYLINDRICAL-STACKED-CUSTOMER	
			X = ± .25	X = ± .030	SIZE	REV
			.XX = ± .125	.XX = ± .015	<b>C</b>	<b>A</b>
			.XXX = ± .060	.XXX = ± .005		
			ANGLES = ± 3°		187240-L12-3-CUSTOMER	
			MATERIAL		SCALE: 1:24	WEIGHT: xxxxxx
			FINISH		SHEET 1 OF 1	
Drawn	Date	Name	DO NOT SCALE DRAWING			
Checked	04/12/10	R.A.W.				
Eng. Appr.	04/12/10	P.A.S.				
		R.D.K.				