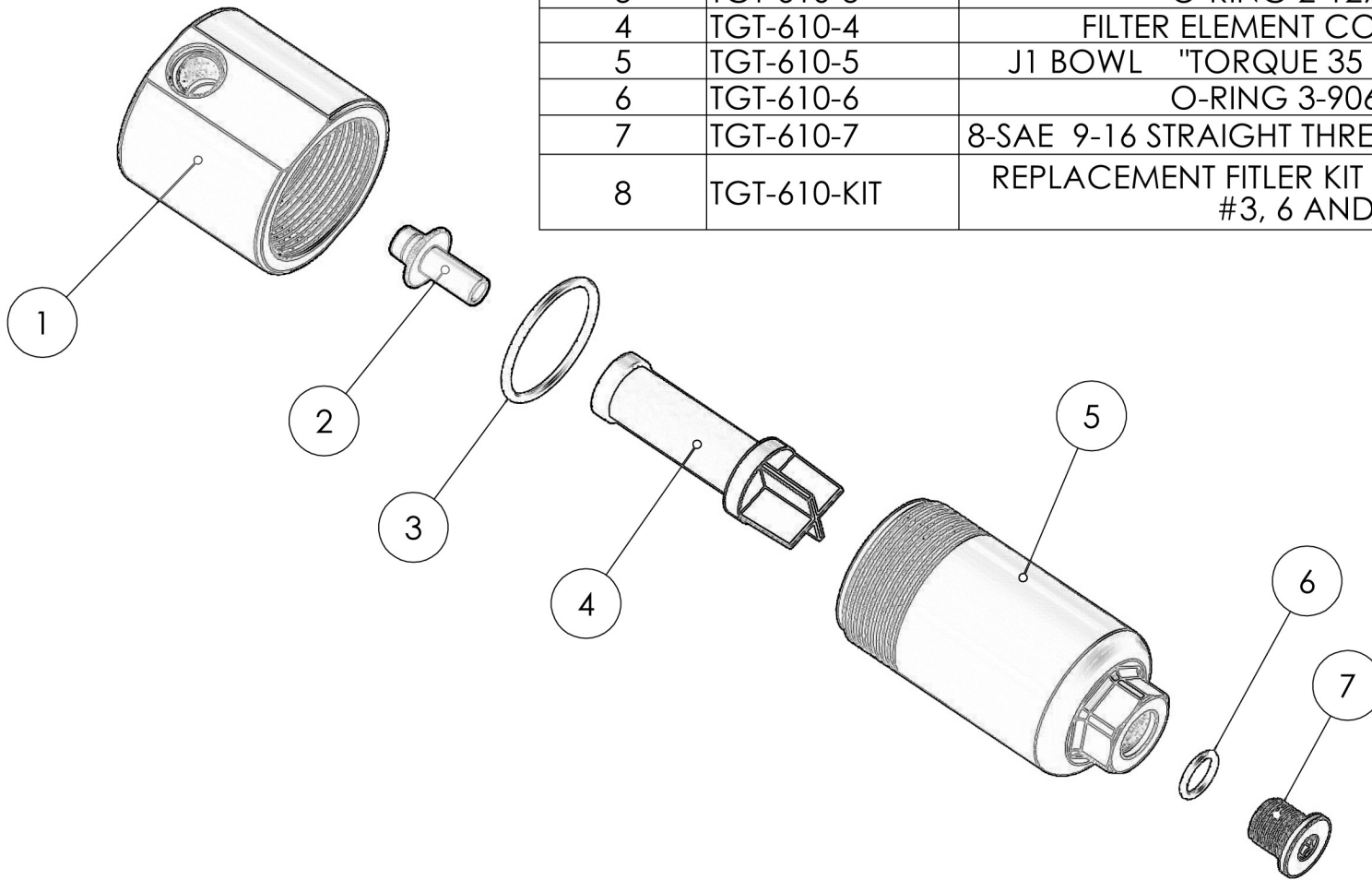


ITEM NO.	PART NUMBER	DESCRIPTION	QTY.
1	TGT-610-1	J1 TOP	1
2	TGT-610-2	PLASTIC INSERT	1
3	TGT-610-3	O-RING 2-127 V90	1
4	TGT-610-4	FILTER ELEMENT COALESCING	1
5	TGT-610-5	J1 BOWL "TORQUE 35 FOOT-POUNDS"	1
6	TGT-610-6	O-RING 3-906 V90	1
7	TGT-610-7	8-SAE 9-16 STRAIGHT THREAD O-RING PLUG	1
8	TGT-610-KIT	REPLACEMENT FITLER KIT ENCLUDES ITEMS #3, 6 AND 4	1



PROPRIETARY AND CONFIDENTIAL
 THE INFORMATION CONTAINED IN THIS DRAWING IS THE SOLE PROPERTY OF TULSA GAS TECHNOLOGIES, INC. ANY REPRODUCTION IN PART OR AS A WHOLE WITHOUT THE WRITTEN PERMISSION OF TULSA GAS TECHNOLOGIES, INC IS PROHIBITED.

		UNLESS OTHERWISE SPECIFIED:		NAME	DATE
		DIMENSIONS ARE IN INCHES TOLERANCES:	DRAWN	CRS	10/15/10
		TWO PLACE DECIMAL ± .010 THREE PLACE DECIMAL ± .005	CHECKED		
		INTERPRET GEOMETRIC TOLERANCING PER:	ENG APPR.	CRS	10/04/10
		MATERIAL ALUMINUM	MFG APPR.		
NEXT ASSY	USED ON	FINISH	Q.A.	DGN	11/4/10
APPLICATION		DO NOT SCALE DRAWING	COMMENTS: TORQUE TO 35 ft-lb		

TULSA GAS TECH		
TITLE:		
COALESCING FILTER 5000 MWP		
SIZE A	DWG. NO. TGT-610	REV 1
SCALE: 1:2	WEIGHT:	SHEET 1 OF 1