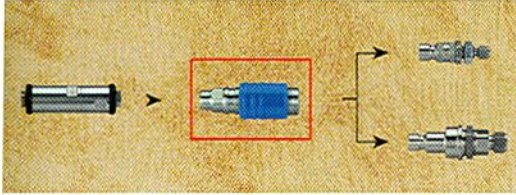


NGV 1 type 2-3 nozzles



Blue (3000 psi - 200 bars)
Yellow (3600 psi - 250 bars)

Applications

- Designed for time fill (or fast fill), public or private use.
- Specially recommended for fleet applications (refuelling of heavy or light duty vehicles).
- High flow capability.



Double alignment guiding system ensures long life.

Great for fleets who already have a three way valve installed.

Keying system prevents higher pressure nozzle from connecting onto lower pressure receptacle.

Automatic one-hand operation, push to connect.

Ball locking for reliability.

Available from stock in 2 different service pressures.

Color coded sleeve visually identifies service pressure.

Insulated coating protects hand from cold metal.

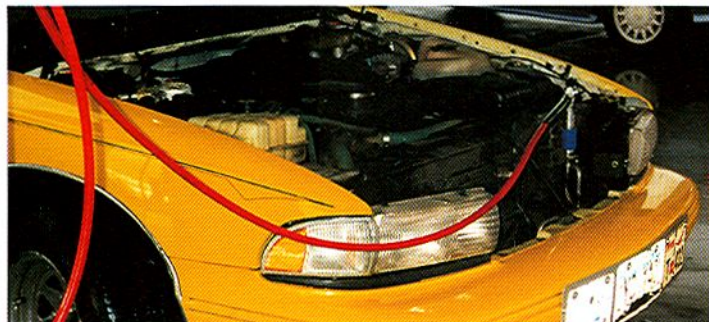
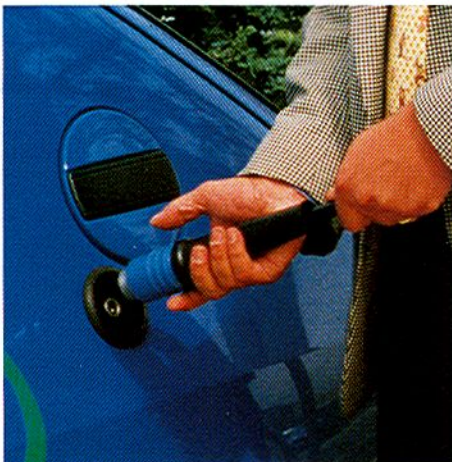
Cycle tested to withstand more than 100,000 connections.

Check valve prevents flow of gas when nozzle is disconnected.

Can be used with any type of vehicle which has an NVG 1 receptacle.

Storage requirement to protect the nozzle for water and dirt.

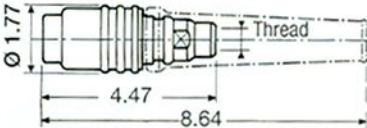


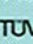






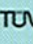


When not in use, each nozzle must be protected from water and dirt. It is why we propose the nozzle storage rack shown in the opposite page.



Technical data

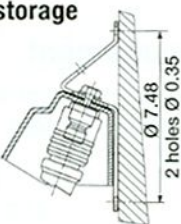
Internal diameter : 5/16" (7.5 mm).
 Flow area : 0.068 sq. in. (44 sq. mm).
 Service pressures
 (connected and disconnected) :
 3000 psi (200 bars)
 3600 psi (250 bars).

Material : stainless steel.
 Flow rate : see page 14.
 Service temperature :
 -40°F to 185°F (-40°C to 85°C).

Part numbers		THREAD	PART NUMBERS	
			BLUE 3000 psi (200 bars)	YELLOW 3600 psi (250 bars)
1/4 BSP female thread		1/4 BSP	AGA/NGV1: N 010 231 95 CGA/NGV1: N 010 231 95 TÜV : N 003 145 93   	AGA/NGV1: N 010 232 95 
SAE O-ring port for 3/8" OD tubing with 9/16-18 UNF female thread		9/16 - 18 UNF	AGA/NGV1: N 010 219 95 CGA/NGV1: N 010 219 95  	AGA/NGV1: N 010 220 95 
SAE O-ring port for 3/8" OD tubing with 9/16 - 18 UNF female left-handed thread		9/16 - 18 UNF LH	AGA/NGV1: N 010 229 95 CGA/NGV1: N 010 229 95 TÜV : N 002 271 95   	AGA/NGV1: N 010 230 95 
Nozzle hose guard			R 138 980 00	

Storage options

Mounting receptacle with cover
 protects nozzle from water and
 dirt when not in use.
 Contact us for other options.

Nozzle storage rack	PART NUMBERS	
	BLUE 3000 psi (200 bars)	YELLOW 3600 psi (250 bars)
	CMV 08. 9000/30	

All dimensions in inches