



# REDJACKET®

## VAPOR RECOVERY OVERHEAD RETRACTOR INSTALLATION INSTRUCTIONS

MODEL NO. 884-019-5 (Box Only) Coaxial Hose  
MODEL NO. 884-034-5 (Box Only) without Hose Clamp STD

The Red Jacket Overhead Retractor is certified for use in Stage II vapor recovery installations under Executive Order G-70-15-D of the California Air Resources Board.

### BOX INSTALLATION

The Red Jacket Overhead Retractors listed above are intended to be mounted onto a crossbar. On small spans, 2" x 2" 1/8" steel tubing, properly supported, has been successfully used.

IT IS THE RESPONSIBILITY OF THE INDIVIDUAL PERFORMING THE INSTALLATION TO COMPLY WITH ALL LOCAL CODES AND SAFETY REGULATIONS REGARDING GASOLINE AND VAPORS.

1. Install crossbar at desired height, usually 5-7 Ft. above the island.
2. Drill 3/8" mounting holes in the crossbar at the selected location.
3. Mount the Red Jacket Retractor Box using the (2) 3/8" - 16 x 3 1/2" hex bolts, (2) flat washers and (2) nuts as shown in Figure 1.

### HOSE INSTALLATION

Fluid Hose — 5/8 inch inside diameter, U.L. listed for gasoline. 12 foot length.\*  
 Vapor Hose — 5/8 inch inside diameter, U.L. listed for gasoline. Length as needed to permit natural drainage when hanging, but sufficient to avoid strain on the hose at the dispenser swivel when full extended.\*

\*Hose length referenced is based on standard softwall hose. Mounting configuration, hose type and climate may affect flexibility of hose. (Retractors for use with 5/8" or 3/4" I.D. Hose are available with either standard or heavy-duty reels.)

Swivels — 360° in line, .495 inches minimum inside diameter, one on each end of both hoses.  
 Hose Ties — Minimum of five (5), Panduit DHC 1.12 x 1.75, or equivalent.

1. Slip the hose into the clamp provided and adjust to comply with the 10" max. loop at the nozzle. See Figure 2 below. Tighten securely.
2. Pull the hose to its full length. It should extend easily and then retract completely.
3. If adjustment is required in spring tension, remove the (4) screws from the cover, extend cable approximately 18", wind or unwind one turn at a time and repeat step 2.

FIGURE 1

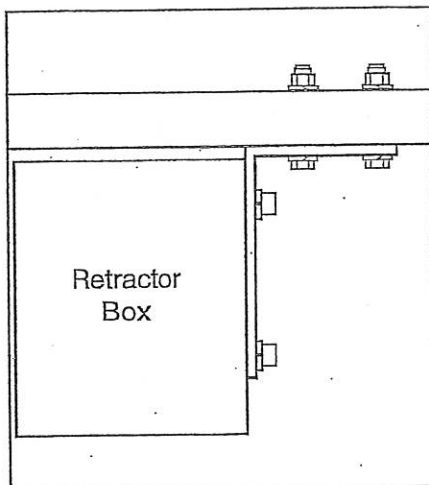
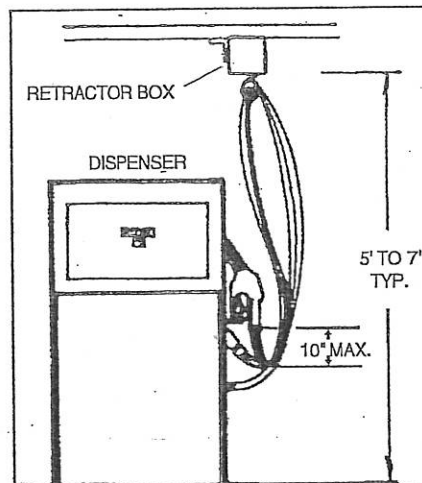


FIGURE 2

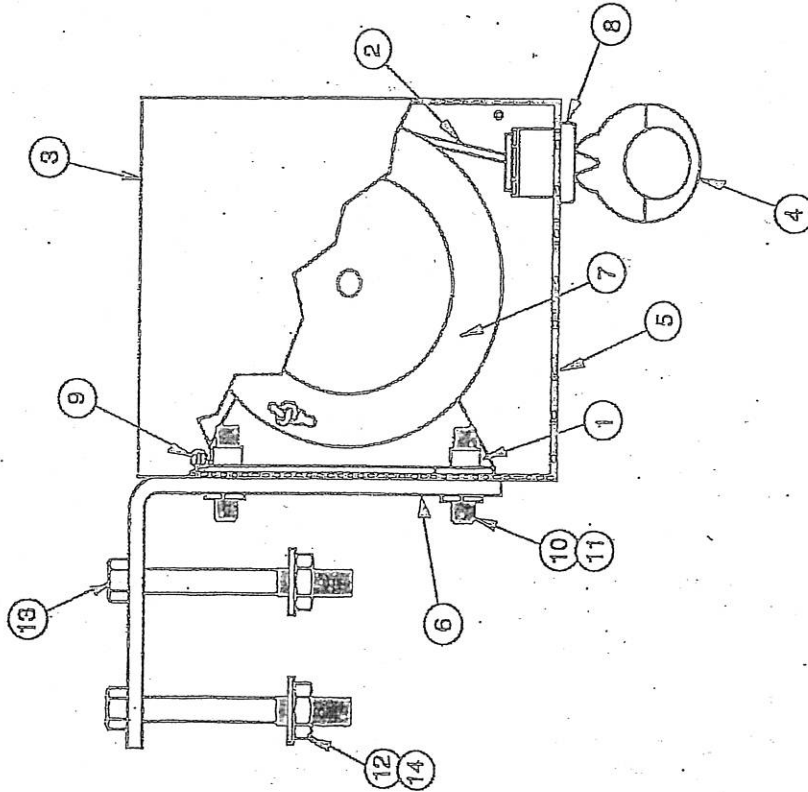


by  VEEDER-ROOT

125 Powder Forest Drive • Simsbury, CT 06070  
Tel: (860) 651-2700 • Fax: (860) 651-2719

051-144 Rev. F

# HOSE RETRACTOR PARTS LIST (Bracket Mount)



Part Number	Description	Quantity	Notes
1	Bracket	1	
2	Cable, 5/32" nylon braided	10'	
3	Cover	1	
4	Clamp, VR co-ax hose	1	
5	Frame	1	
6	Bracket, angle	1	
7	Reel, heavy duty	1	
7	Reel, standard duty	1	
8	Eye, cable assembly	1	
9	Screw, #8 x 3/8" pan head	4	
10	Screw, 3/8" - 16 x 1" socket head	2	
11	Lockwasher, 3/8"	2	
12	Washer, 3/8"	2	
13	Hex Bolt, 3/8" - 16 x 3 1/2"	2	
14	Nut, 3/8" - 16 zinc plated	2	



by VEEDER-ROOT

125 Powder Forest Drive • Simsbury, CT 06070  
Tel: (860) 651-2700 • Fax: (860) 651-2719

041-955 Rev. F