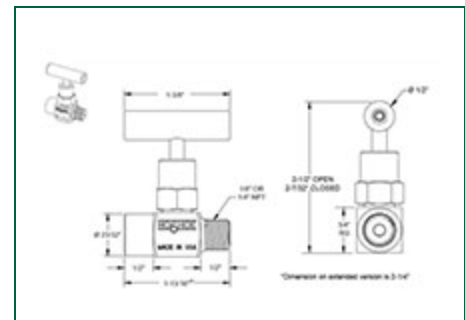




NOSHOK, INC.
 1010 W. Bagley Road
 Berea, OH 44017
Phone: 440.243.0888
Fax: 440.243.3472
Website: www.noshok.com

Part Number 152-MFC, 1/4" National Pipe Thread (NPT), Male x Female, Steel, 0.172" Orifice Soft Tip Mini Valve

- Compact size valve built for maximum durability and robust performance in the toughest applications
- 100% helium leak tested to 1×10^{-4} ml/s for guaranteed performance and reliability
- Soft tip valves feature a patented Acetal non-rotating soft tip stem, and a back-up metal-to-metal seal (U.S. Patent 6,820,857)



[Specifications](#) | [Additional Options](#) | [Prop 65 Warnings](#) | [Limitations Which Apply Are](#) | [Additional Information](#) | [Options and Accessories](#) | [Note](#)

Specifications

Type	Needle Valve
Series	150
Connection Size	1/4 in

Leave a message



Valve Type	Male-Female
Valve Material	Steel
Material	Zinc-Nickel Plated Steel
Stem Seal and Type	All 316 Stainless Steel stems with Fluorocarbon (FKM) o-ring and Polytetrafluoroethylene (PTFE) back-up ring below the threads, Polytetrafluoroethylene (PTFE) packing optional
Pressure Ratings at 200 Degree Fahrenheit (°F) Temperature	6,000 psi
Orifice Size	0.172 in
Cv Coefficient	0.42
Seat	Hard Seat
Handle Material	Steel
Optional Handle Material	Steel
Warranty	3 yr
Connection Type	National Pipe Thread (NPT)
Weight	0.5 lb

Additional Options

Additional Options

- Stem Tips
 - PCTFE (T3)
 - PEEK (T4)
 - Regulating Acetal (T10)
 - Regulating PCTFE (T11)
 - Regulating PEEK (T12)
- O-Rings
 - EPDM (EM1)
 - FFKM (Perfluoroelastomer) 3018 or equivalent) (KZ1)
 - NBR (NB1)

- Panel Mountings
 - Panel Mount (2 Nuts) (PM2)

Prop 65 Warnings

Prop 65 Warnings



WARNING: This product can expose you to chemicals including Lead, which is known to the State of California to cause cancer and birth defects or other reproductive harm. For more information go to www.P65Warnings.ca.gov

Limitations Which Apply Are

Limitations Which Apply Are

These units must be operated within the catalogued environmental and application parameters. Determination of failure will be made by NOSHOK, Inc.'s equipment and personnel or a certified test facility specializing in this type of evaluation.

In keeping with and for purposes of product and/or manufacturing process improvements, NOSHOK, Inc. reserves the right to make design changes without prior notice.

Additional Information

Additional Information

- FKM o-ring seal and PTFE back-up ring below the stem threads to protect from corrosion and galling; PTFE packing optional
- All stem threads are rolled for strength and ease of operation
- Patented body-to-bonnet, metal-to-metal seal is designed to significantly increase the pressure range of the valve (U.S. Patent 7,758,014)

Options and Accessories

Installed Options and Accessories

- Packing
 - PTFE (P1)
- Stem Tips
 - PCTFE (T3)
 - PEEK (T4)
 - Regulating Acetal (T10)
 - Regulating PCTFE (T11)
 - Regulating PEEK (T12)
- O-Rings (Other o-ring materials available on request)
 - EPDM (EM1)
 - FFKM (Perfluoroelastomer) 3018 or equivalent (KZ1)
 - NBR (NB1)
- Panel Mount
 - 1 nut (PM1)
 - 2 nuts (PM2)
- Handles
 - 1" Round Knurled Handle (HL3)
- Cleaning For Oxygen Service (Stainless Steel & Brass Only)

Assembly Options

NOSHOK offers multiple assembly options to meet your specific system requirements. Consult factory to discuss your customized solution.

Note

All NOSHOK valve products conform to the MSS SP-99 instrument valves standards, and valves supplied with packing also conform to MSS SP-132 compression packing systems for instrument valves standard.

Please note that the standard o-ring in all the NOSHOK mini valves is FKM and the standard handles are brass round knurled handles (HL3), steel 1-3/8" mini "T" handles (HL7), and 316SS 1-3/8" mini "T" handles (HL7)

Note

The handle material will always match the material

of the valve, unless otherwise specified. For example, the round knurled handles (HL3) on a 152-FFB will be brass. When only the standard configuration is needed, no additional designations are necessary. Please consult the factory for special application requests.

O-Ring - Other o-ring materials available on request.