



Maintenance for Jayco Thief Hatches

Before proceeding with maintenance on the thief hatch, consult your company's safety and operations manuals concerning the dangers involved with working on a thief hatch and tank battery. USE EXTREME CAUTION!

Observe...

- The operation of the thief hatch, is it holding pressure?
- Does it relief pressure as set?

Clean...

- Keep the gaskets and moving parts free of dirt and residue

Inspect...

- The gaskets for wear, cracking and swelling; replace as needed
- The aluminum seats on the base and plunger for damage and repair or replace as needed

Repair or Replace...

- Replace gaskets with Jayco gaskets sets only
- If H₂S is present or other chemicals that react with the current gaskets, replace with Viton® gasket sets
- If ambient temperature is above 200 degrees F, replace gaskets with Viton®

Order Jayco parts from your local Oilfield Supply Company or Tank Manufacturer

The following pages will assist your selection of replacement parts

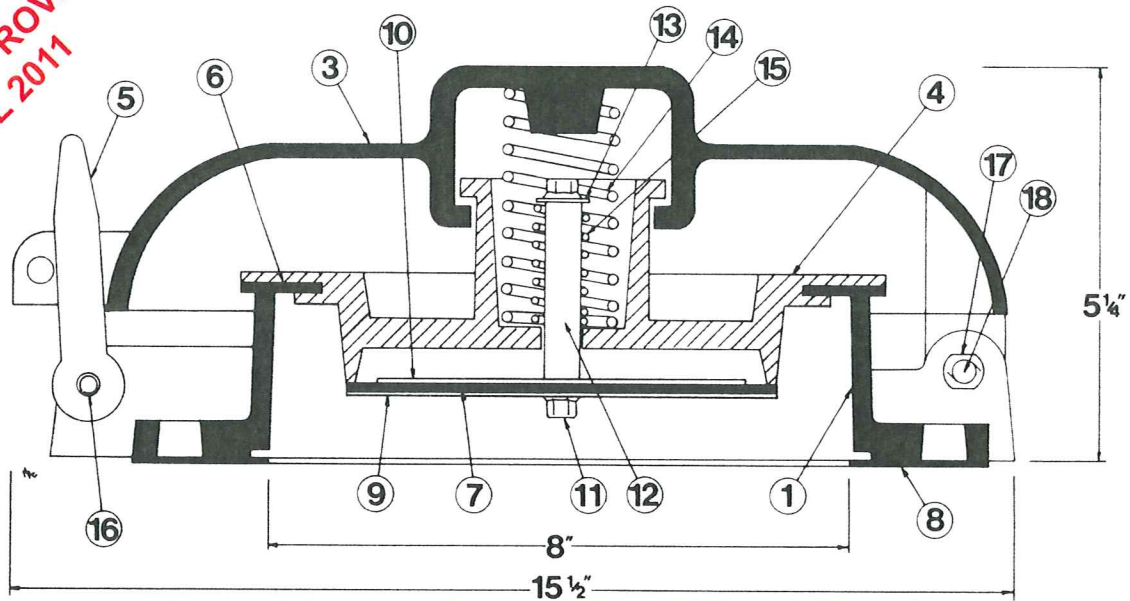
Please note that the parts list are in two time frames; *before* October 2011 and *after* October 2011 (current design).

Keep the thief hatch clean and inspect on a regular basis

If leaks persist, order the redesigned Jayco plunger assembly designed for greater sealing - part no. JT1818S with Supreme65 (high grade Buna N) gaskets or JT1818V which has Viton® gaskets.

Page 1	Identifying the style of plunger for ordering replacement parts
Page 2	JT-8 Parts List for Jayco Hatches made prior to October 2011
Page 3	JT-20 Parts List for Jayco Hatches made prior to October 2011
Page 4	JT-8.1 Parts List for Jayco Hatches made after October 2011
Page 5	JT-20.1 Parts List for Jayco Hatches made after October 2011
Page 6	Expended view of the New Jayco Plunger with Part Numbers
Page 7	Information on the Redesigned Plunger Assembly for Jayco Thief Hatches

**NEW & IMPROVED
FALL 2011**



Parts List for Jayco JT-8.1 Thief Hatch

①	Base	JT8172	Aluminum
③	Lid	JT18176	Aluminum
④	Pressure/Vacuum Valve Complete	JT1818S	Aluminum
⑤	Latch	JT8205	Aluminum
** ⑥	Pressure Gasket	JT1815S	Supreme65
	Pressure Gasket (Sour Service)	JT1815V	Viton®
** ⑦	Vacuum Gasket	JT1820S	Supreme65
	Vacuum Gasket (Sour Service)	JT1820V	Viton®
⑧	Base Gasket	JT1810S	Supreme65
	Base Gasket (Sour Service)	JT1810V	Viton®
⑨	Washer (Lower)	JT1865	Aluminum
⑩	Washer (Upper)	JT0860	Aluminum
⑪	Screw HHTL 1/4-20 x 3/4	JT0871	Stainless
⑫	Stem 1/2 x 2 1/2	JT0850	Aluminum
⑬	Washer 1/4	JT0855	Plated or Stainless
⑭	Spring, Pressure 4 oz (Plain) (Standard)	JT0835	Plated
	2 oz (Black)	JT0830	Stainless
	6 oz (Cream)	JT0837	Stainless
	8 oz (Orange)	JT0838	Stainless
	12 oz (White)	JT0846	Stainless
	16 oz (Blue)	JT0847	Stainless
** ⑮	Spring, Vacuum	JT0825	Stainless
⑯	Latch Roll Pin	JV0130	Zinc Plated
⑰	Push Nut, 1/4 (USE ONLY ONCE - THEN REPLACE)	JT0887	
⑱	Hinge Pin (Short)	JT0875	Galvanized
	Bolt, Top Assembly HHWL	JT0857	Zinc Plated
	Washer, Internal Lock, Bottom	JT0872	Stainless

IN KEEPING WITH, AND FOR THE PURPOSE OF PRODUCT IMPROVEMENT, JAYCO RESERVES THE RIGHT TO MAKE DESIGN CHANGES WITHOUT PRIOR NOTICE.

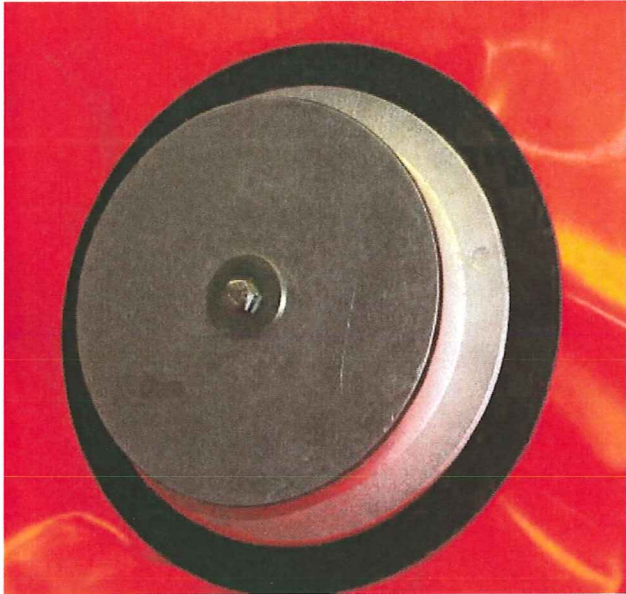
** Repair Kit

Viton® is a registered trademark of DuPont Dow Elastomers

Bulletin Number 1015 12

IDENTIFYING THE ORIGINAL STYLE PLUNGER VERSE THE NEW STYLE PLUNGER

Original Jayco Plunger



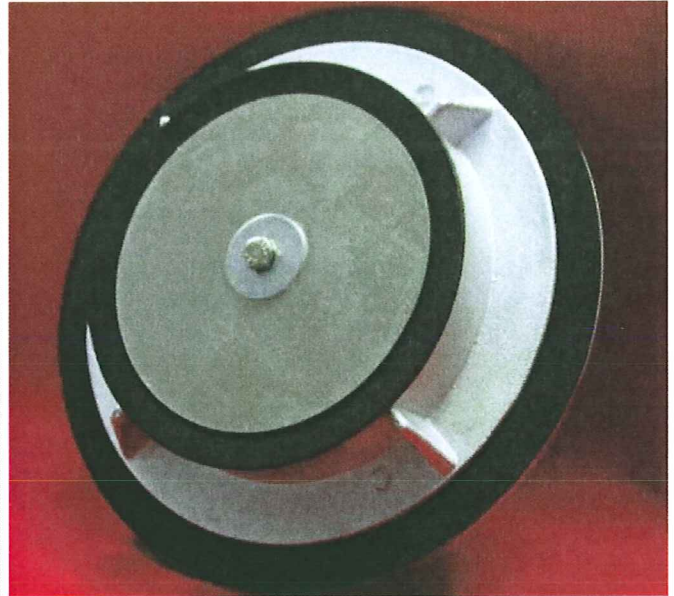
To identify the older version of the Jayco thief hatch plunger assembly: the lower washer (6") covers the whole vacuum gasket and the aluminum casting is smooth with no guides (shown above).

Notes:

Produced July 1986 to Sept 2011
This plunger assembly is no longer available.
Order the New Jayco Plunger for a replacement.
However parts for this Original Plunger are available and listed on pages 2 and 3.

Use the following Plunger replacement upgrades available in two gasket versions
JT818S FOR SUPREME65 TRIM
JT818V FOR VITON® TRIM

New Jayco Plunger



Identify the latest Jayco thief hatch plunger assembly by the guides on the aluminum casting and the smaller lower washer (5") which shows more of the vacuum gasket (shown above).

Notes:

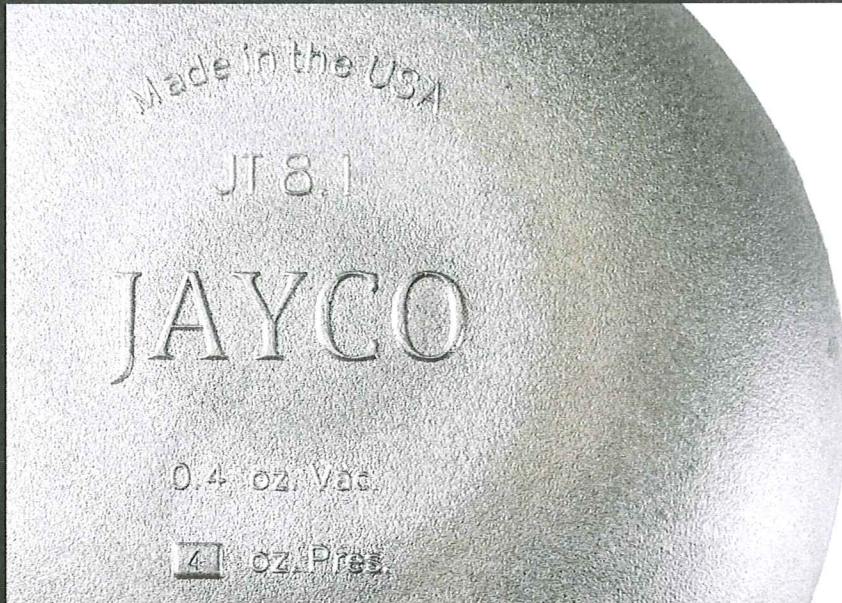
Produced October 2011 to present

Parts for this Plunger are listed on pages 4 and 5.

available in two gasket versions
JT818S FOR SUPREME65 TRIM
JT818V FOR VITON® TRIM

THE NEW ASSEMBLY CAN BE INSTALLED TO ENHANCE
PREEXISTING JAYCO HATCHES AND IS
INCLUDED IN ALL NEW JT-8.1 AND JT-20.1 HATCHES

Viton® is a registered trademark of DuPont Dow Elastomers



THE PURPOSE OF THE THIEF HATCH IS TO WORK IN TANDEM WITH THE VENT VALVE TO MINIMIZE THE ESCAPE OF LIGHT ENDS OF CRUDE IN LEASE STORAGE BY MAINTAINING A PRESSURE ON THE TANK. A VACUUM RELIEF FUNCTION IS ALSO STANDARD TO PREVENT A SUCTION OR DRAW DOWN FROM COLLAPSING THE TANK. THE THIEF HATCH PERMITS ACCESS TO THE CONTENTS OF THE TANK FOR SAMPLING AND GAUGING. THE VENT VALVE SHOULD BE SET TO VENT PRESSURE BEFORE THE THIEF HATCH.

JAYCO THIEF HATCHES ARE DESIGNED FOR OPTIMUM PERFORMANCE AND EASY CLEANING AND MAINTENANCE, WITH STANDARD SETTINGS OF 4.0 OUNCE PRESSURE AND 0.4 OUNCE VACUUM WITH OPTIONAL SPRINGS FOR 2, 6, 8, 12 AND 16 OUNCE PRESSURE SETTINGS. BASE GASKET STANDARD WITH HATCH.

JT-8.1 SPECIFICATIONS

BASE AND LID SIZE:	NOMINAL 8" ROUND
BOLT PATTERN:	16 HOLES AT 10 3/8" CIRCLE (API)
CONSTRUCTION:	ALL ALUMINUM CASTINGS
SYSTEM OPERATIONS:	SPRING LOADED PRESSURE AND VACUUM
STANDARD SETTINGS:	4 OZ. PRESSURE 0.4 OZ. VACUUM
GASKET MATERIAL:	SUPREME65, BLACK VITON® OR BLUE VITON®
BASE GASKET:	INCLUDED

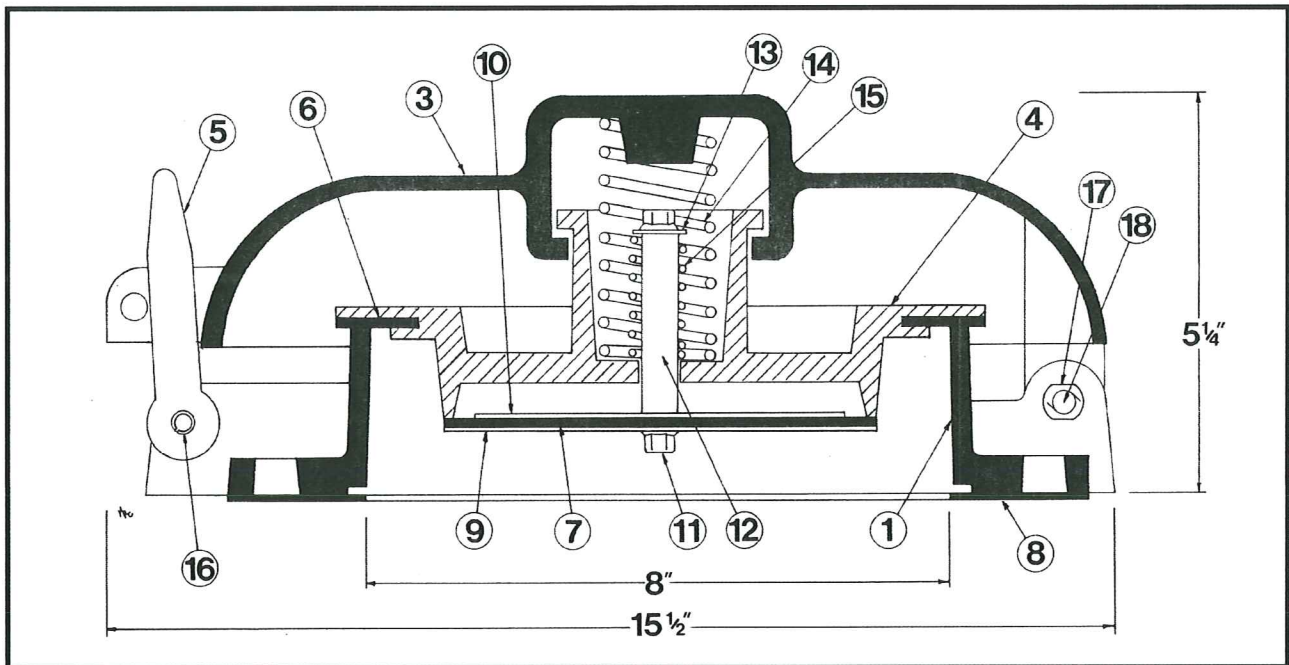
APPROXIMATE SHIPPING WEIGHT: 14 LBS • VITON® IS A REGISTERED TRADEMARK OF DUPONT DOW ELASTOMERS

PRESSURE SPRINGS



9412 NICHOLS ROAD • PO BOX 20026 • OKLAHOMA CITY, OK 73156

800-654-9263 • 405-751-6903 • FAX 405-755-7940 • WWW.JAYCO.ORG



1. BASE		JT8172	ALUMINUM
3. LID		JT18176	ALUMINUM
4. PRESSURE/VACUUM VALVE COMPLETE		JT1818S	ALUMINUM
5. LATCH		JT8205	ALUMINUM
** 6. PRESSURE GASKET		JT1815S	SUPREME65
PRESSURE GASKET (SOUR SERVICE)		JT1815V	VITON®
** 7. VACUUM GASKET		JT1820S	SUPREME65
VACUUM GASKET (SOUR SERVICE)		JT1820V	VITON®
8. BASE GASKET		JT1810S	SUPREME65
BASE GASKET (SOUR SERVICE)		JT1810V	VITON®
9. WASHER (LOWER)		JT1865	ALUMINUM
10. WASHER (UPPER)		JT0860	ALUMINUM
11. SCREW HHTL 1/4-20 X 3/4		JT0871	STAINLESS
12. STEM 1/2 X 2 1/2		JT0850	ALUMINUM
13. WASHER 1/4		JT0855	PLATED
14. SPRING, PRESSURE	4 oz (PLAIN) (STANDARD)	JT0835	PLATED OR SS
	2 oz (BLACK)	JT0830	STAINLESS
	6 oz (YELLOW)	JT0837	STAINLESS
	8 oz (ORANGE)	JT0838	STAINLESS
	12 oz (WHITE)	JT0846	STAINLESS
	16 oz (BLUE)	JT0847	STAINLESS
** 15. SPRING, VACUUM		JT0825	STAINLESS
16. LATCH ROLL PIN		JV0130	ZINC PLATED
17. PUSH NUT, 1/4 (USE ONLY ONCE - THEN REPLACE)		JT0887	
18. HINGE PIN (SHORT)		JT0875	GALVANIZED
BOLT, TOP ASSEMBLY HHWL		JT0857	ZINC PLATED
WASHER, INTERNAL LOCK, BOTTOM		JT0872	STAINLESS

IN KEEPING WITH, AND FOR THE PURPOSE OF PRODUCT IMPROVEMENT, JAYCO RESERVES THE RIGHT TO MAKE DESIGN CHANGES WITHOUT PRIOR NOTICE.

** REPAIR KIT

VITON® IS A REGISTERED TRADEMARK OF DUPONT DOW ELASTOMERS

BULLETIN NUMBER 1015 12