

# GFS Ground Fault Circuit Interrupter

Cl. I, Div. 1 & 2, Groups C, D  
 Cl. II, Div. 1, Groups E, F, G  
 Cl. II, Div. 2, Groups F, G  
 Cl. III  
 NEMA 3, 7CD, 9EFG, 12

Explosionproof  
 Dust-Ignitionproof

## Applications:

GFS ground fault circuit interrupters are used:

- With portable electrical equipment such as tools, lighting systems, compressors and similar devices for personnel protection
- In areas made hazardous by the presence of flammable vapors, gases or combustible dusts
- In branch circuits of 15 to 20 amperes at 125 volts AC
- In conjunction with ENR or CPS152 receptacles

## Features:

- Factory sealed chamber encloses the ground fault circuit interrupter (GFCI) and its potentially arcing components in an enclosure with explosionproof ground joints. No additional sealing is required when proper body is used.
- GFCI protects personnel against possible injury due to unwanted ground faults; meets requirements for personnel protection as defined in the *National Electrical Code*®.
- GFCI is feed-through type to serve several receptacles.
- Decentralized GFCI protection on branch circuits permits immediate identification of circuit where a ground fault is occurring; does not interrupt power on total branch circuit if tripped or when periodically tested; significantly reduces incidence of nuisance tripping; provides for use of 125 VAC portable lighting even when working on metal floors or catwalks.
- Field installation is accomplished with standard tools.
- Can be installed on any Eaton's Crouse-Hinds single or multiple gang EDS or EDSC device box.

## Certifications and Compliances:

- NEC/CEC  
 Class I, Division 1 and 2, Groups C, D  
 Class II, Division 1, Groups E, F, G  
 Class II, Division 2, Groups F, G  
 Class III
- ANSI/UL Standard: 943, 1203
- NEMA/EEMAC 3, 7CD, 9EFG, 12
- CSA Standard: C22.2 No. 30, 144

## Standard Materials:

- Cover – sand cast copper-free aluminum
- Sealing well – die cast copper-free aluminum
- Pushbuttons and guards – stainless steel
- Shaft seals – neoprene
- Interior: body – polycarbonate; contacts – brass



## Standard Finishes:

- Copper-free aluminum – aluminum lacquer
- Stainless steel – natural
- Polycarbonate – natural (ivory)
- Brass – natural

## Electrical Rating Ranges:

- 20 amperes
- 125 VAC
- 5 milliamperes trip setting
- Class A per ANSI/UL943

## Ordering Information:

Amps	Description	Cat. #
20	Factory-sealed ground fault circuit interrupter – 5 milliamperes trip	GFS1

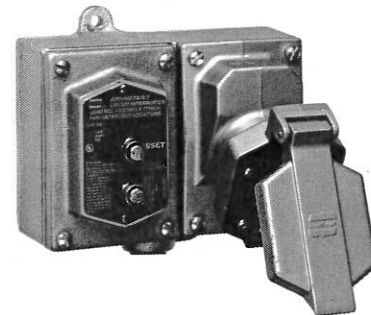
## Application Recommendations:

- GFS-1 can be installed in an EDS back box (see page 517) for point-of-use protection or for protection of downstream receptacles.



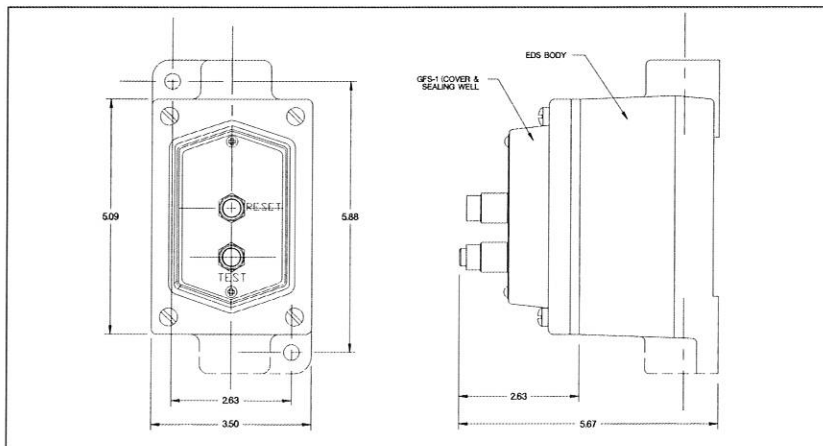
GFS-1 with EDS271 back box

GFS-1 can be used with ENR or CPS receptacles and EDS back box for circuit interrupter protection of portable equipment.



GFS-1 with EDS172 back box and ENR5201 receptacle

## Dimensions In Inches:



**Crouse-Hinds**  
 by **E.T.N.**