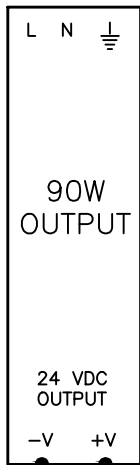
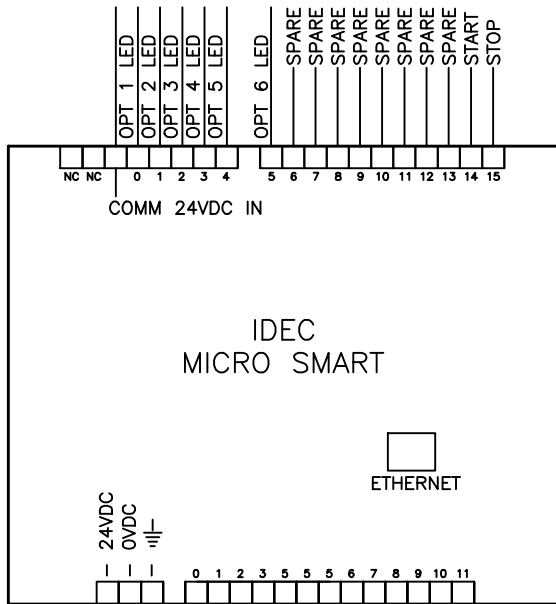


POWER SUPPLY



DIGITAL INPUTS



- OPT 1 LED
 - OPT 2 LED
 - OPT 3 LED
 - OPT 4 LED
 - OPT 5 LED
 - OPT 6 LED
 - SPARE
 - SPARE
 - SPARE
 - SPARE
 - SPARE
 - SPARE
 - SPARE
 - SPARE
 - START
 - STOP
- COMM, HMI & PLC (24V)
 - OPT 1 LED
 - OPT 2 LED
 - OPT 3 LED
 - OPT 4 LED
 - OPT 5 LED
 - OPT 6 LED
 - IN USE LED
 - STANDBY LED
 - SPARE
 - SPARE
 - FAULT LED
 - VALVE

RELAY OUTPUT



TULSA GAS TECHNOLOGIES, INC.
 4809 South 101st East Avenue
 Tulsa, OK 74146
 (918) 665-2641 FAX: (918) 665-2657

MODEL:	DRAWN BY: MB	DATE:
SEQUENCE: -	CHECKED BY: -	10-12-23
PROGRAM: -	APPROVED BY: -	
SERIAL NO.: -	PART: -	
WORK ORDER: -	DWG. NO. MOBILE FILL POST DIAGRAM	
MATERIAL: -		