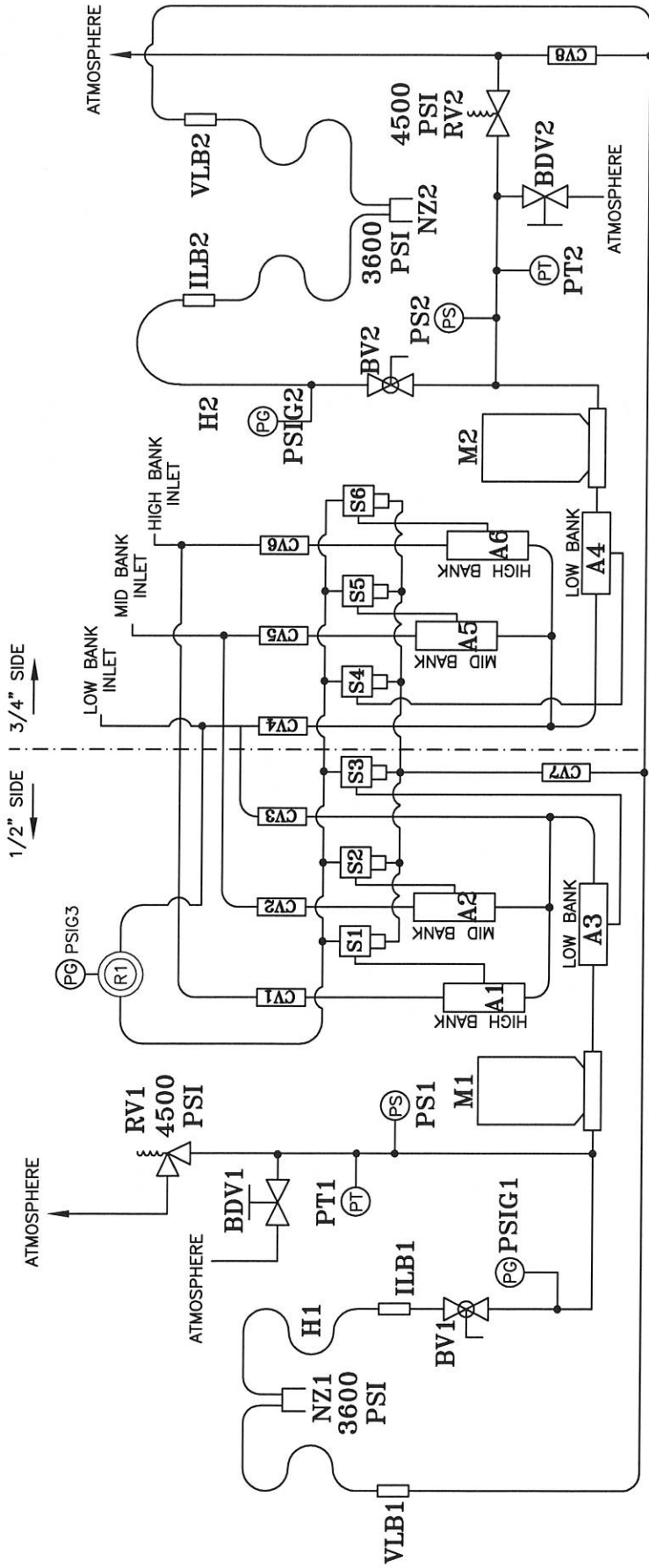




TULSA GAS TECHNOLOGIES, INC.
 4809 South 101st East Avenue
 Tulsa, OK 74146
 (918) 665-2641 FAX: (918) 665-2657

MODEL:	DRAWN BY:	TC	DATE
SEQUENCE	-	-	04-12-22
PROGRAM	-	-	
SERIAL NO.:	-	-	
WORK ORDER:	-	-	
	DMC NO.	T7203-12-8CNG50W P&ID	



- A1-3.....1/2" BI-TORQ ACTUATOR
- A4-6.....3/4" BI-TORQ ACTUATOR
- BDV1,2.....BLEED VALVE, PARKER
- BV1.....PARKER 1/2" BALL VALVE, 62 SERIES
- BV2.....OASIS 3/4" BALL VALVE
- CV1-3.....OASIS CHECK VALVE, 1/2", CV304-6NXDN
- CV4-6.....OASIS CHECK VALVE, 3/4", CV306-6NXDP
- CV7,8.....OASIS CHECK VALVE, 1/4", CV102-3NBSO
- H1.....HOSE, PARKER PARFLEX 3/8"
- H2.....HOSE, PARKER 3/4"
- ILB1.....INLINE BREAKAWAY, OPW ILB5
- ILB2.....INLINE BREAKAWAY, OPW ILB5
- M1,2.....METER, MICRO MOTION SENSOR MM-CNG50S290NCAAEZZZ
- M2.....MICRO MOTION TRANSMITTER MM-2700I13ABEZZZ
- NZ1.....OPW CT1000
- NZ2.....OPW CT5000
- PSIG1,2.....TGT 2.5" GAUGE 5000PSI
- PSIG3.....NOSHOK, 0-200PSI
- PS1,2.....NASON PRESSURE SENSOR, CD-1C-4500R/WL293
- PT1,2.....ASHCROFT PRESSURE TRANSMITTER, G27M02RMG35000#G
- R1.....REGULATOR, BELGAS P39
- RV1,2.....MERCER RELIEF VALVE, 1400 SERIES
- VLB1.....VENT LINE BREAKAWAY, TGT-ILB6
- VLB2.....VENT LINE BREAKAWAY, OPW ILB-5
- S1-6.....ASCO RED HAT SOLENOID VALVE