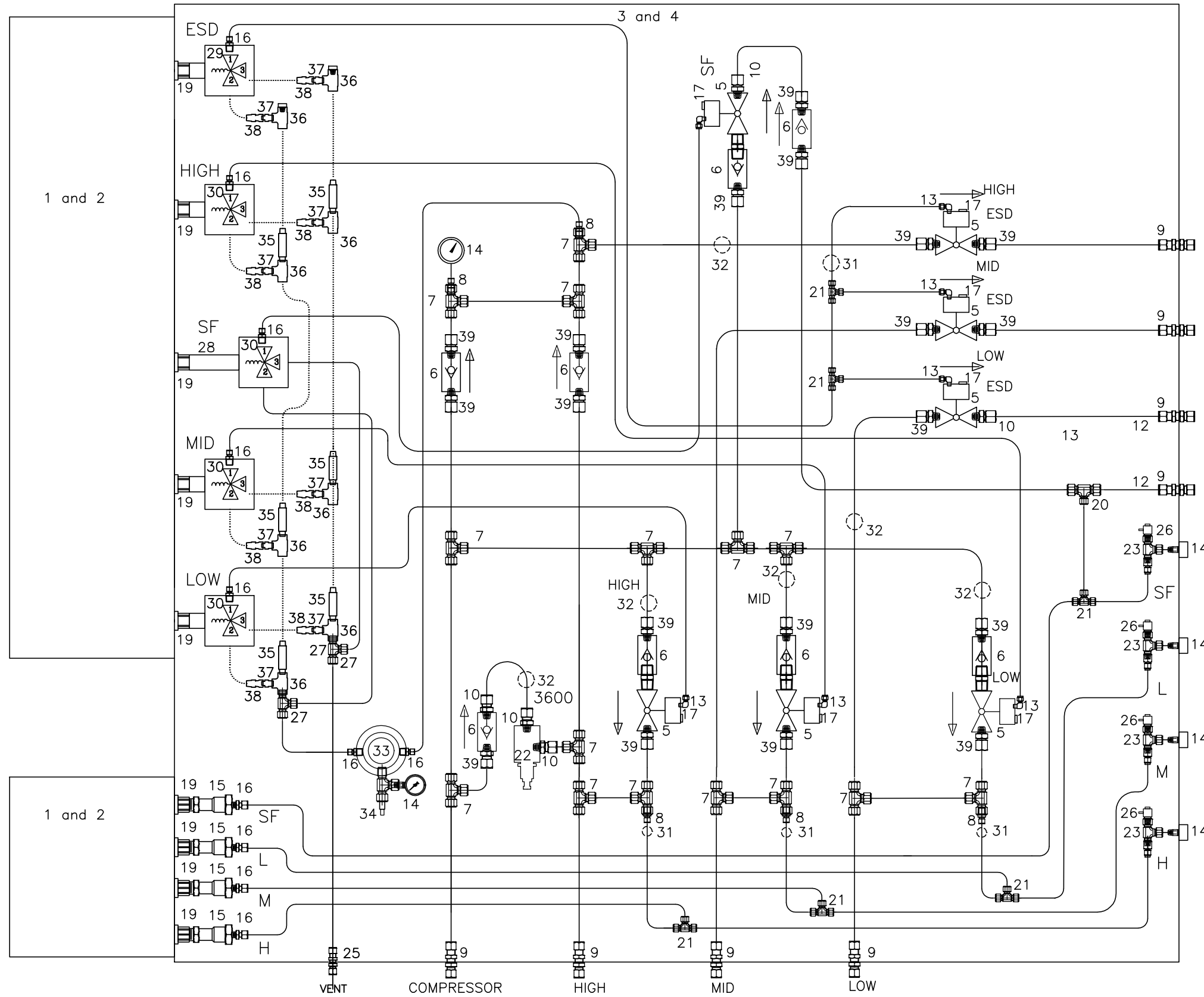


NTS



ITEM	QTY	PART#	DESCRIPTION
1	2	N4161210	BOX 16X12X6
2	2	NP1612	BACKPLATE 16X12
3	1	WA423612WF	BOX 42X36X12
4	1	N12423612	BACKPLATE for 42X36
5	7	BV704-4N6A	OASIS BALL VALVE W/BI-TORQ ACTUATORS
6	7	CV204	OASIS CHECK VALVE
7	15	SS-810-3	SWAGELOK TUBE TEE 1/2"
8	5	SS-400-R-8	SWAGELOK TUBE REDUCER
9	8	SS-810-61	SWAGELOK TUBE BULKHEAD
10	5	SS-810-1-8	SWAGELOK MALE CONNECTOR
11			STAINLESS STEEL TUBE 1/4"
12	2	SS-811-PC	SWAGELOK PORT CONNECTOR
13	7	SS-400-2-2	SWAGELOK 90° ELBOW
14	5	50230158	WIKA PRESSURE PRESS. GAUGE 6000 PSI W/MOUNT
15	4	PXT-6000	MURPHY TRANSDUCERS 0-6000
16	11	SS-400-1	MALE CONNECTOR
17	7	ASP-1BV	BREATHER CAPS 1/8"
18			
19	10	HUBSODN	MYERS HUB 1/2"
20	1	SS-810-3-8-4	1/2" REDUCING TEE
21	6	SS-400-3	UNION TEE
22	1	635-L	AQUA BACK PRESSURE VALVE
23	4	SS-4-ST	SWAGELOK STREET TEE 1/4" NPT
24			
25	1	SS-400-61	SWAGELOK BULKHEAD UNION
26	4	4M-BV4-SS	PARKER BLEEDER 1/4"
27	2	SS-400-3-4TMT	RUN TEE
28	1		4" NIPPLE
29	1	EF8210G084	110V ASCO REDHAT 3-WAY VALVE
30	4	8210G084	24V ASCO REDHAT 3-WAY VALVE
31			1/4" TUBE .035
32			1/2" TUBE .083
33	1	P39	BELGAS REGULATOR
34	1	KSV-10-2	1/4" RELIEF VALVE
35	6	5404-N-4-4X3	LONG NIPPLE
36	8	1/4-MMD-S	UNION TEE
37	8	4-4-FTX-S	1/4 MNPT - 1/4 JIC MALE
38	8	4-4-F6X-S	1/4 MNPT - 1/4 JIC FEMALE
39	17	ASSEMBLY	PARKER 8BL-SS NUT PARKER 8TPL-S SLEEVE PARKER 8-8FLO-SS MALE CONNECTOR



TULSA GAS TECHNOLOGIES, INC.  
 4809 South 101st East Avenue  
 Tulsa, OK 74146  
 (918) 665-2641 FAX: (918) 665-2657

MODEL:	DRAWN BY: MB	DATE
SEQUENCE -	CHECKED BY: -	03-05-21
PROGRAM: -	APPROVED BY: -	
SERIAL NO.: -	PART: -	
WORK ORDER: -	DWG. NO. TGT-8-3BP-G-24,8-ESD-G-120	
G:\All Products Infor by Serial Number\		
21011310 TGT-8-3BP-G-24,8-ESD-G-120 J-W POWER COMPANY		