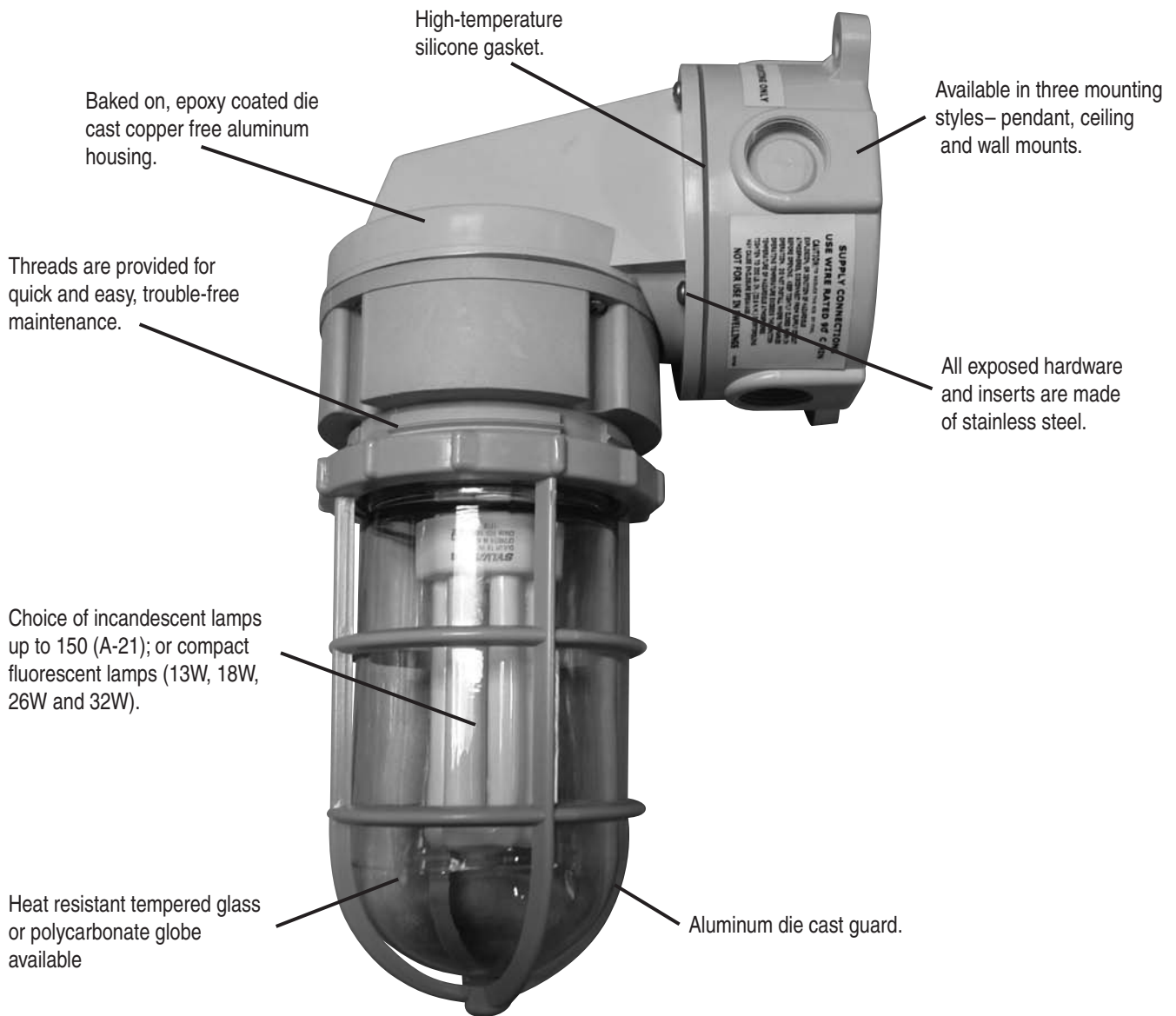


# AVP SERIES

## Aluminum Lighting for Hazardous and Severe Environments

Designed to meet the rugged demands of highly corrosive industrial applications, the AVP Series is vapor-tight and rated for Class I, Division 2 hazardous areas. Its rugged construction precludes contamination by dirt, moisture and chemicals and is suitable for indoor and outdoor applications.



# AVP Series

Hazardous Locations • Class I, Division 2 • UL 844 • UL 1598A • Wet Locations • CUL



- Class I, Division 2, Groups A, B, C and D
- Zone 2, Groups IIA, IIB and IIC
- NEMA 3, 4 & 4X
- UL 1598A Marine Outside Type
- UL 844 Hazardous Locations
- Copper Free Aluminum
- Enclosed and gasketed
- Glass or polycarbonate globe
- Suitable for indoor or outdoor use
- Suitable for hose-down
- Compact fluorescent or incandescent available
- Suitable for commercial and industrial uses only
- Twist Lock Lamp Holder (CFL)
- 3/4" NPT Hubs

## Catalog Number Logic

# AVP 15I -24-HR-G-C-XX



1

### BASIC SERIES

AVP Aluminum Series

(i) AVPH = Class I, Division 2, Groups A, B, C & D  
 UL 844 Hazardous Locations  
 UL 1598A Marine Outside Type  
 NEMA 3, 4 & 4X

(ii) AVP = Marine  
 UL 1598A Marine Outside Type  
 NEMA 3, 4 & 4X

2

### LAMP WATTAGE AND TYPE

13F = 13 Watt Comp. Fluor. (GX23-2 Base/120V)<sup>1</sup>  
 13F = 13 Watt Comp. Fluor. (GX24q-1 Base/277V)<sup>1</sup>  
 18F = 18 Watt Comp. Fluor. (G24q-2 Base)<sup>2</sup>  
 26F = 26 Watt Comp. Fluor. (GX24q-3 Base)<sup>3</sup>  
 32F = 32 Watt Comp. Fluor. (GX24q-2 Base)<sup>7</sup>  
 15I = Up to 150 Watt (A-21 Max.) Incandescent  
 (Medium Base)<sup>4</sup>

3

### BALLAST VOLTAGE

12 = 120V 60HZ  
 22 = 220V 50HZ<sup>5</sup>  
 24 = 240V 50-60HZ (Incandescent)  
 27 = 277V 60HZ

Starting Temperature with Electronic Ballast is 0°C (32°F)  
 Socket for incandescent lamp is rated 240V 50-60HZ max.  
 Lamp of any voltage up to 240V can be used.

<sup>1</sup> Philips PLC 10mm/13/USA, OSRAM/Sylvania Dulux D(CF-13CC) or equal lamps for 120V. Philips PLC 13W/4P, OSRAM CF13DD/E or equal for 277V.

<sup>2</sup> Philips PLC 18, OSRAM/Sylvania Dulux (CF-18DD) or equal lamps.

<sup>3</sup> PLT-26. Dulux T-26 or equal lamps.

4

### GLOBE

HR = Heat Resistant Tempered Glass

P = Polycarbonate Prismatic Globe (75 Watt Max.)<sup>6</sup>

CP = Clear Polycarbonate (75 watt max.)<sup>6</sup>

GP = Glass Prismatic

Colored Globes Available with AVP Only

Other Globes Available - Consult Factory

5

### GUARD

G = Guard<sup>6</sup>

6

### MOUNTING STYLE

P = Pendant

W = Wall Mount with Box

C = Ceiling

7

### OPTIONS

B = Black Epoxy Powder Coat

W = White Epoxy Powder Coat

X = Custom colors (consult factory)

<sup>4</sup> Can only be ordered with 240V option but can be wired from 110-240V

<sup>5</sup> 220V/50HZ available for 18, 26 & 32 watt fluorescent fixtures.




<sup>6</sup> Guard not available with polycarbonate globe.

<sup>7</sup> Phillips PLT-32 lamp.

COMPACT FLUORESCENT • INCANDESCENT

# AVP Series

Hazardous Locations • Class I, Division 2 • UL 844 • UL 1598A • Wet Locations • CUL

Mounting Style	Lamp Type <sup>①②</sup>	Lamp Watt	Catalog Number <sup>③④</sup>		Shipping Weight (Lbs.)
			Marine UL 1598A	Hazardous & Marine Locations UL 844 & UL1598	
<b>Pendant Mount</b> 	Incandescent	150	AVP15-I-24-HR-G-P	AVPH15-I-24-HR-G-P	3.25
	Compact Fluor.	13	AVP13-F-12-HR-G-P	AVPH13-F-12-HR-G-P	3.6
	Compact Fluor.	18	AVP18-F-12-HR-G-P	AVPH18-F-12-HR-G-P	3.8
	Compact Fluor.	26	AVP26-F-12-HR-G-P	AVPH26-F-12-HR-G-P	4.0
	Compact Fluor.	32	AVP32-F-12-HR-G-P	AVPH32-F-12-HR-G-P	4.2
<b>Ceiling Mount</b> 	Incandescent	150	AVP15-I-24-HR-G-C	AVPH15-I-24-HR-G-C	3.25
	Compact Fluor.	13	AVP13-F-12-HR-G-C	AVPH13-F-12-HR-G-C	3.6
	Compact Fluor.	18	AVP18-F-12-HR-G-C	AVPH18-F-12-HR-G-C	3.8
	Compact Fluor.	26	AVP26-F-12-HR-G-C	AVPH26-F-12-HR-G-C	4.0
	Compact Fluor.	32	AVP32-F-12-HR-G-C	AVPH26-F-12-HR-G-C	4.2
<b>Wall Mount</b> 	Incandescent	150	AVP15-I-24-HR-G-W	AVPH15-I-24-HR-G-W	4.15
	Compact Fluor.	13	AVP13-F-12-HR-G-W	AVPH13-F-12-HR-G-W	4.3
	Compact Fluor.	18	AVP18-F-12-HR-G-W	AVPH18-F-12-HR-G-W	4.45
	Compact Fluor.	26	AVP26-F-12-HR-G-W	AVPH26-F-12-HR-G-W	4.6
	Compact Fluor.	32	AVP32-F-12-HR-G-W	AVPH32-F-12-HR-G-W	4.8

① Incandescent lamps not furnished with the fixture.

② Compact fluorescent lamps furnished with the fixture.

③ 120V 13 Watt compact fluorescent fixture furnished with magnetic ballast.

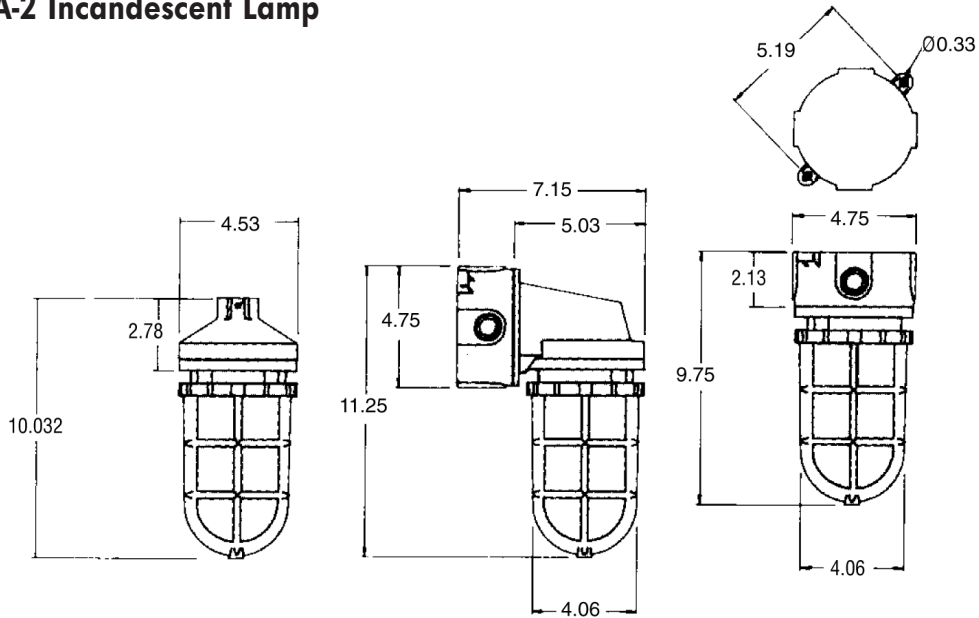
④ 13 Watt/277V 18 & 26 Watt compact fluorescent fixture furnished with high power factor electronic ballast.

# AVP Series

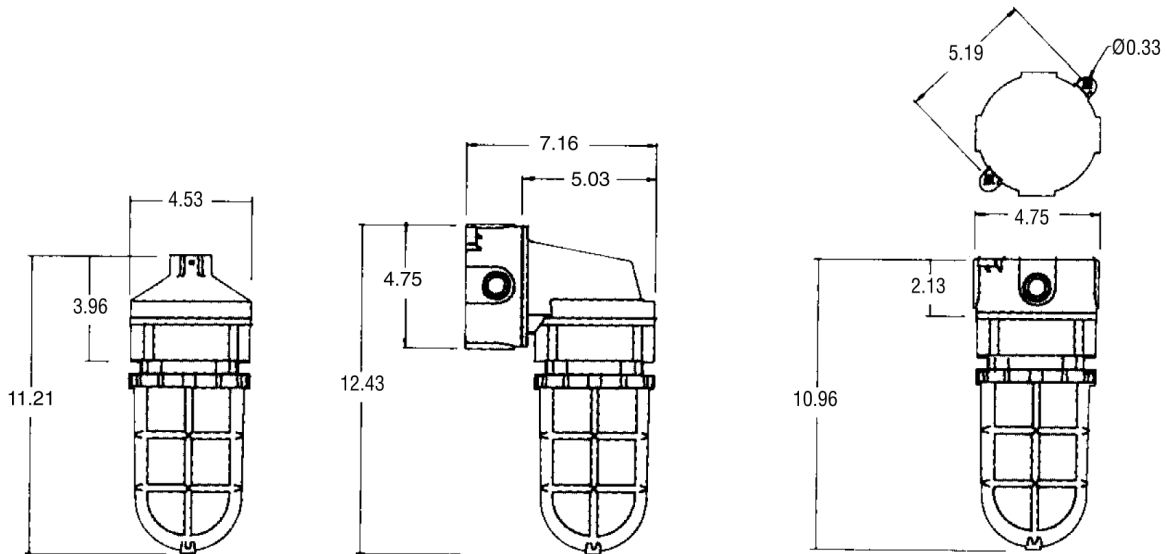
Hazardous Locations • Class I, Division 2 • UL 844 • UL 1598A • Wet Locations • CUL

## Fixture Dimensions (inches)

### 150 Watt A-2 Incandescent Lamp



### 13, 18 & 26 Watt Compact Fluorescent Lamp with Glass Globe

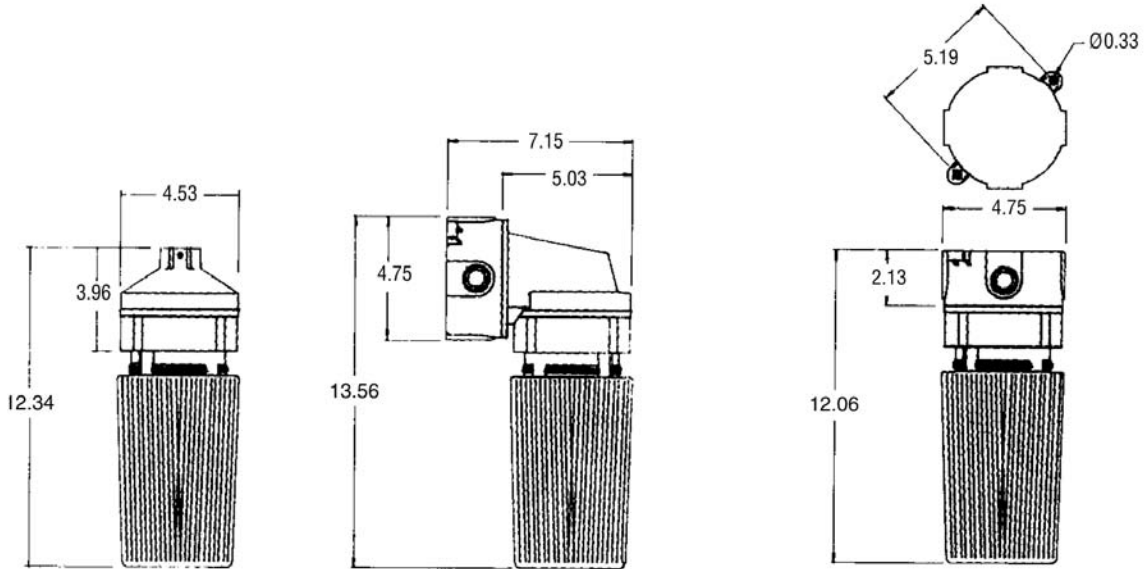


# AVP Series

Hazardous Locations • Class I, Division 2 • UL 844 • UL 1598A • Wet Locations • CUL



## Fixture Dimensions (inches)

### 26 Watt Compact Fluorescent Lamp with Polycarbonate Globe




## Accessories

### Globes

	Type	Lamp Size	Color	Thread Diameter	Catalog Number
	Heat Resistant Tempered Glass	150W	Clear	3-5/16 in.	VGL100HR
	Polycarbonate Prismatic	75W	Clear	3-5/16 in.	VGL100PPG <sup>1</sup>

### Guard

	Description	Catalog Number
	Cast Marine Aluminum Guard	59030AL

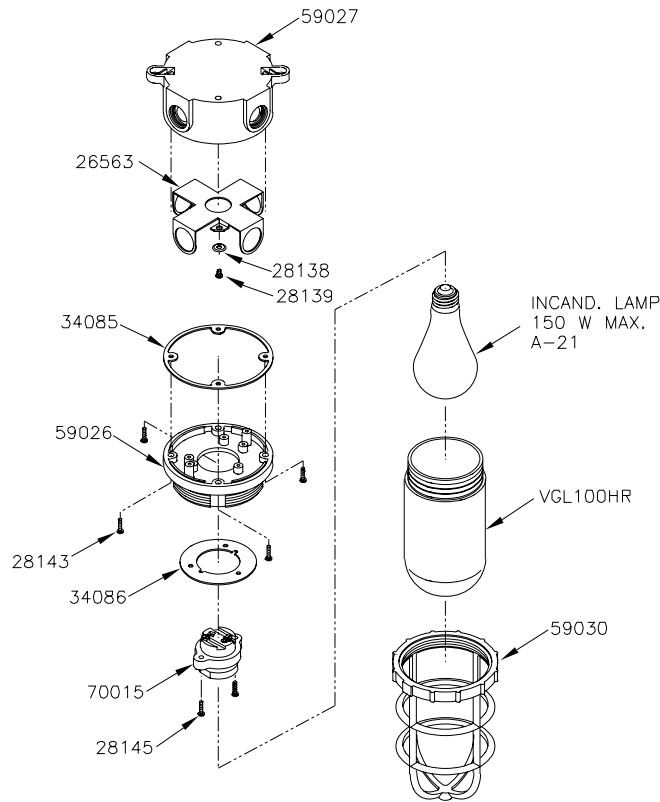
<sup>1</sup>To order colored globes, add suffix A (Amber), B (Blue), R (Red) or G (Green) to catalog number.

# AVP Series

Hazardous Locations • Class I, Division 2 • UL 844 • UL 1598A • Wet Locations • CUL

## Parts List

### CATALOG NUMBER AVP15-I-24-HR-G-C



Part No.	Description	Weight
26563	GROUNDING PLATE CEIL MT	0.1
28138	RETAINER GND WIRE	0.1
28139	SCREW PAN PHLP	0.1
28143	SCREW PAN PHLP	0.1
28145	SCREW PAN PHLP AB	0.1
34085	GSKT OUTLET BOX	0.1
34086	GSKT GLOBE CVP	0.1
59026	HSG LPHLDR MT INC CVP	0.3
59027	OUTLET BOX CEILING MT	0.5
59030	GUARD GLASS GLOBE CVP	0.2
70015	LPHLDR INCAND MED	0.2
VGL100HR	GLOBE CLEAR GLASS	1.0

- Note: 1. Above drawing and part numbers are for fixture catalog no. AVP15-I-24-HR-G-C.  
 2. Parts may vary for other models. Contact factory if parts for other models are required.  
 3. Ballasts and lamps are listed on separate pages.  
 4. Fluorescent lamp included.  
 5. Incandescent lamp not included.