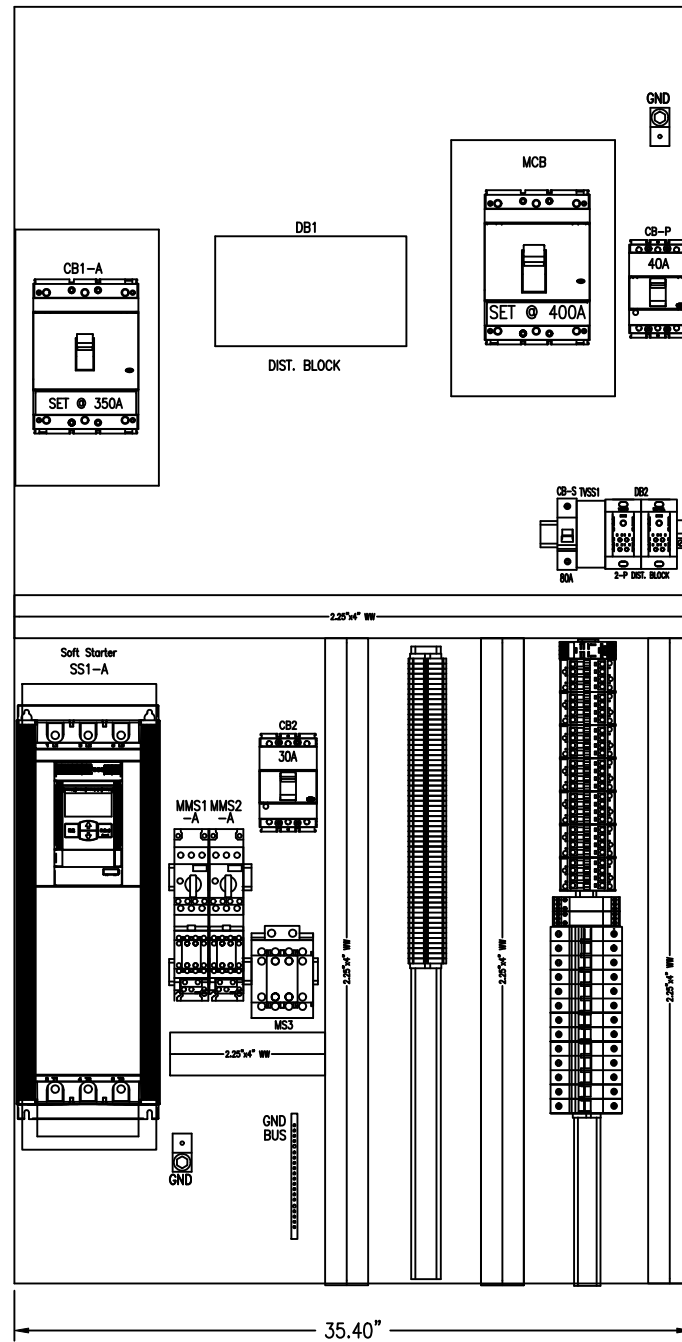
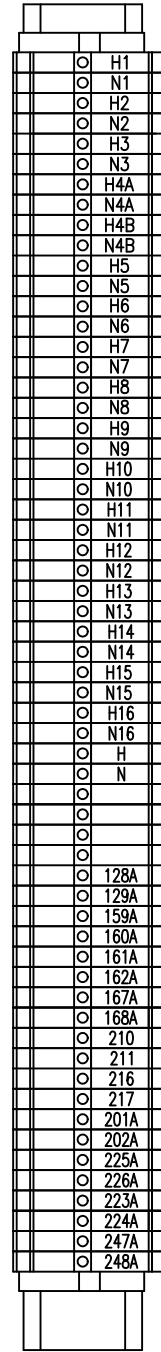
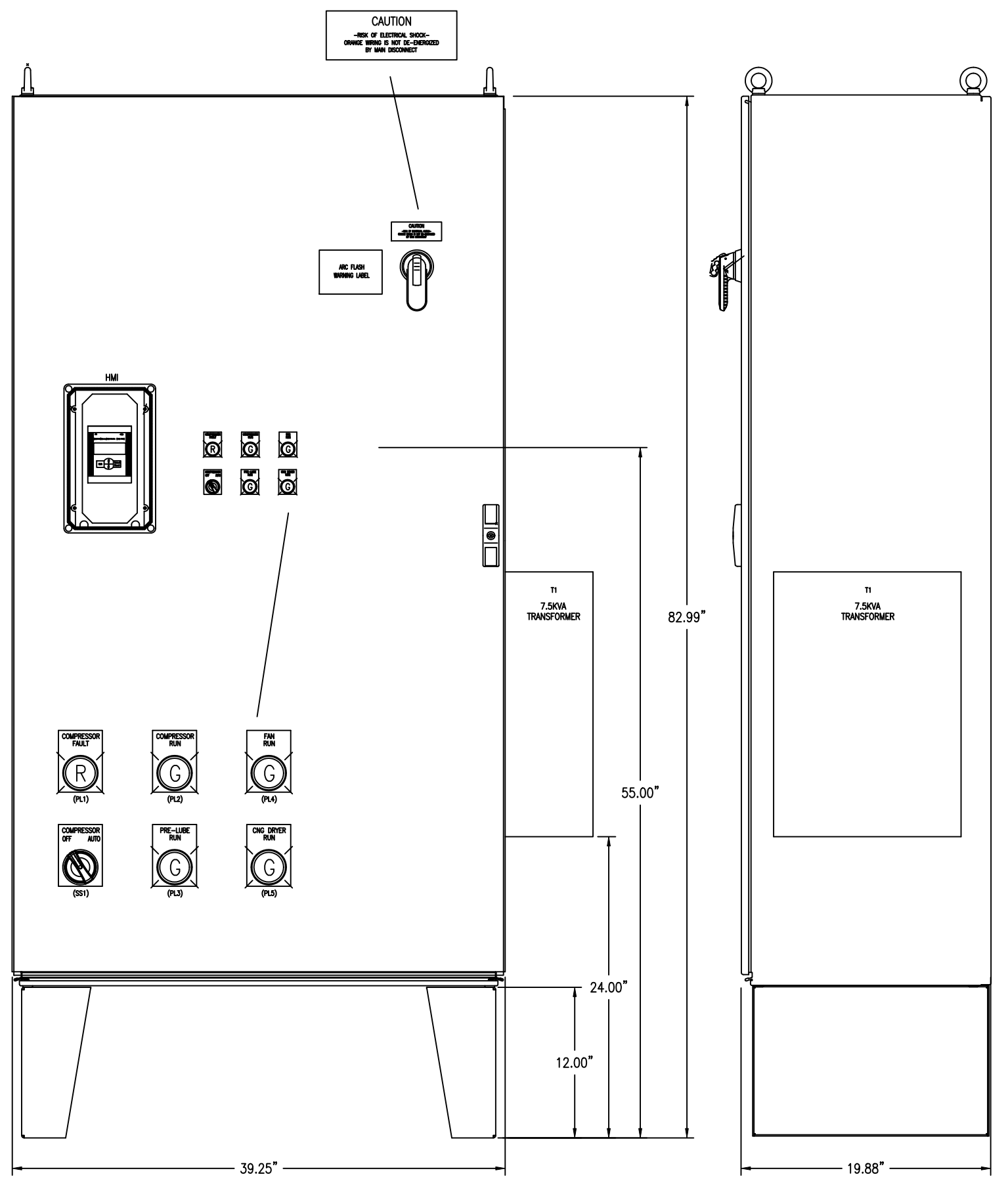
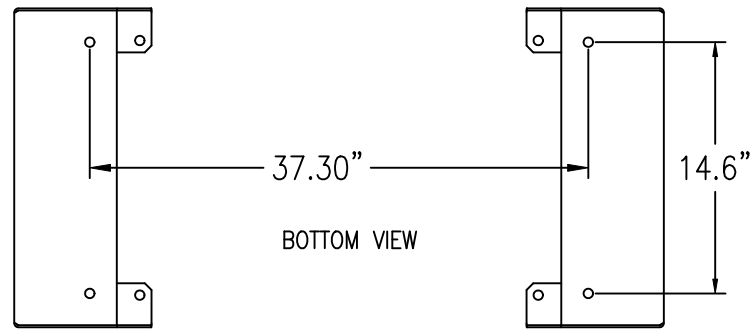


TERMINAL STRIP
DETAILS



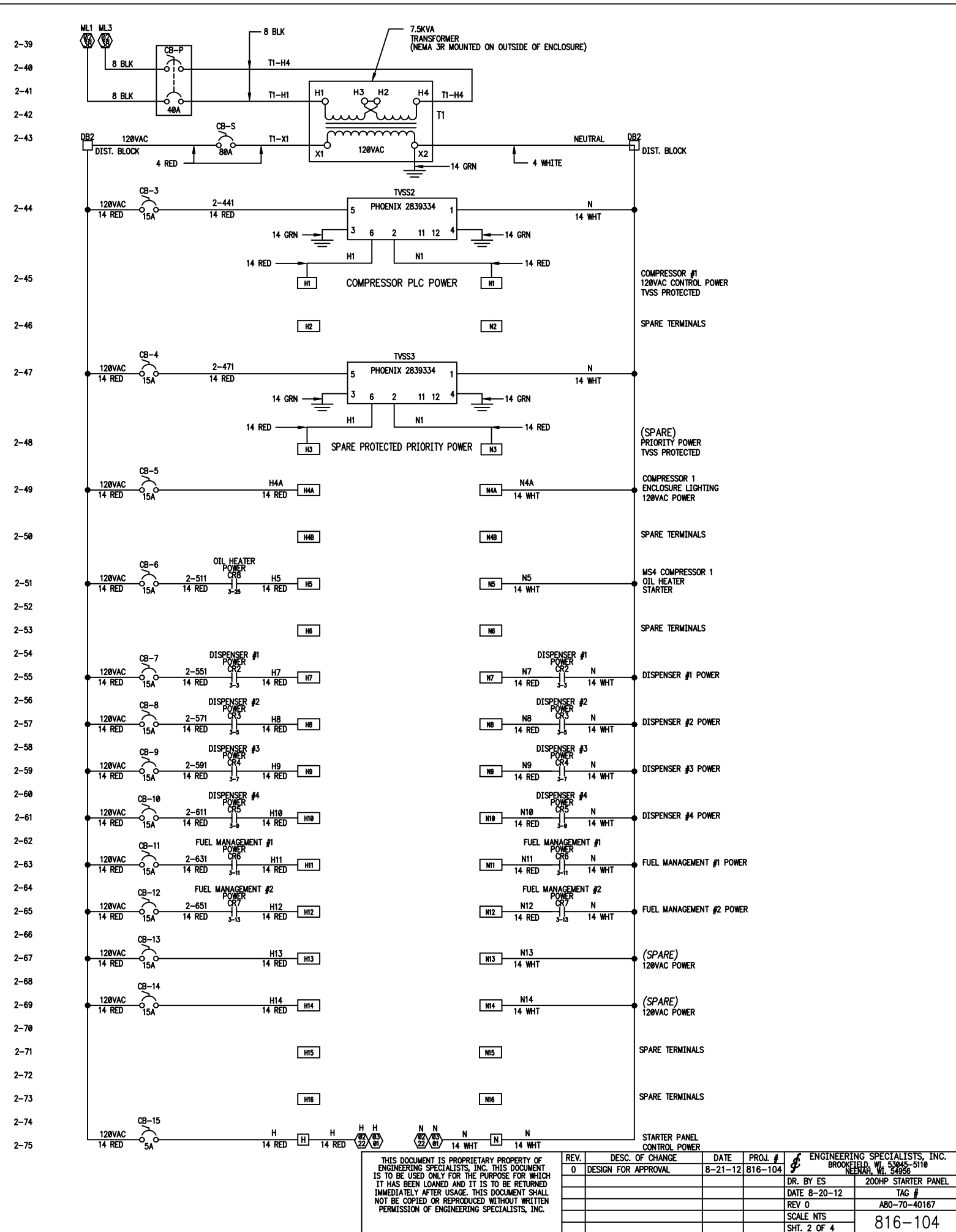
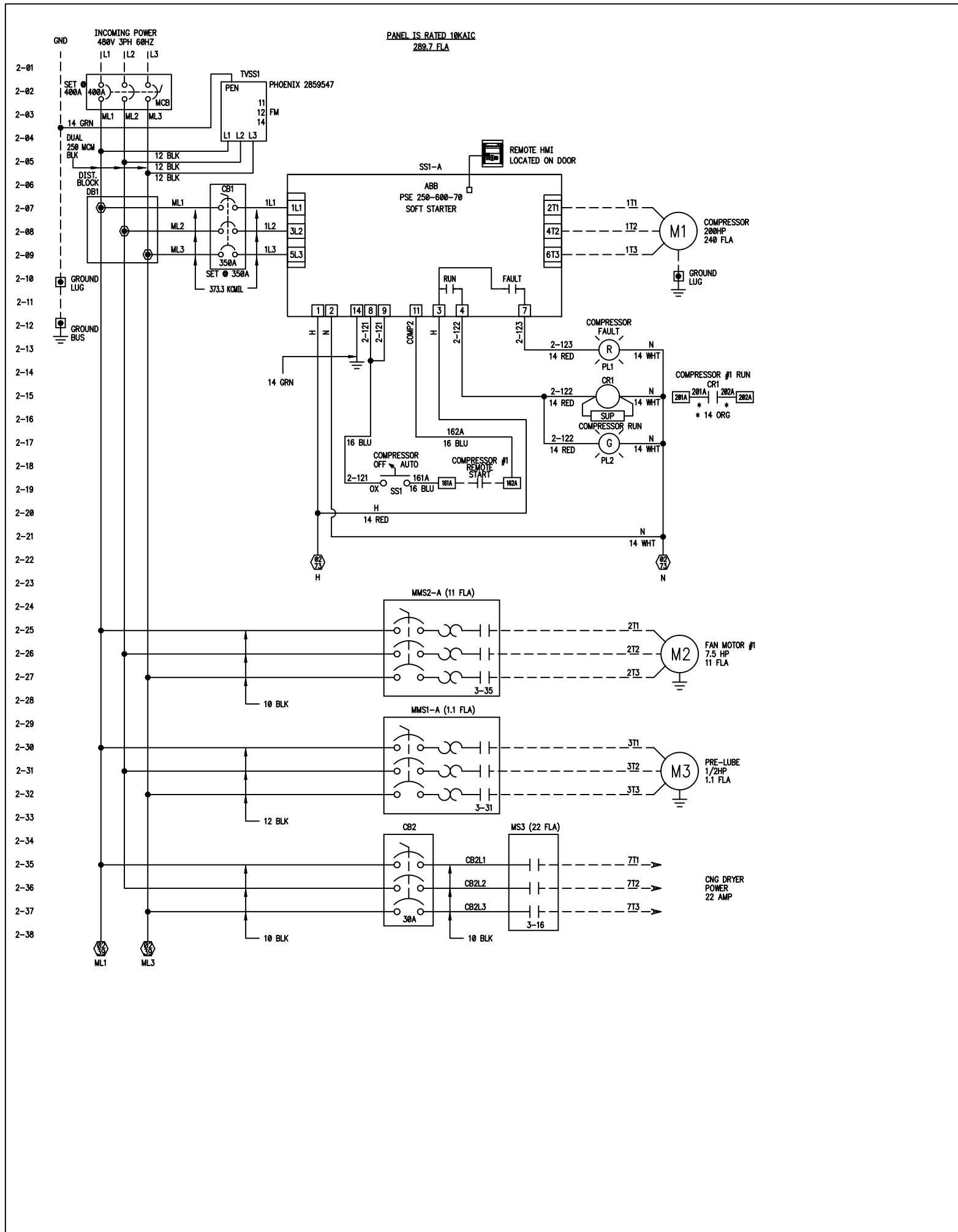
- CR1
- CR2
- CR3
- CR4
- CR5
- CR6
- CR7
- CR8
- TVSS2
- TVSS3
- CB3 15 AMP
- CB4 15 AMP
- CB5 15 AMP
- CB6 15 AMP
- CB7 15 AMP
- CB8 15 AMP
- CB9 15 AMP
- CB10 15 AMP
- CB11 15 AMP
- CB12 15 AMP
- CB13 15 AMP
- CB14 15 AMP
- CB15 5 AMP



SUBMITTED FOR APPROVAL
APPROVED BY _____
DATE _____

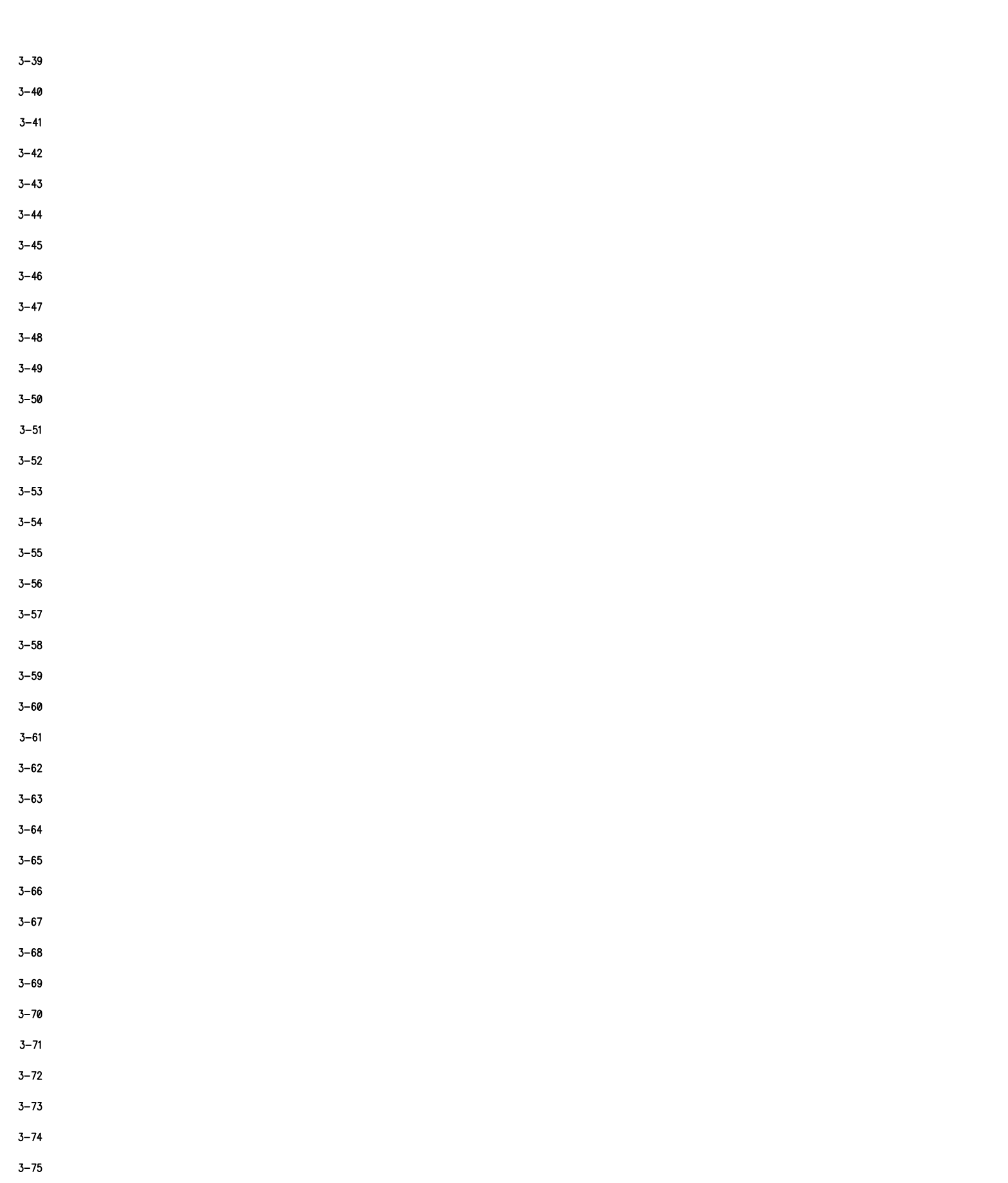
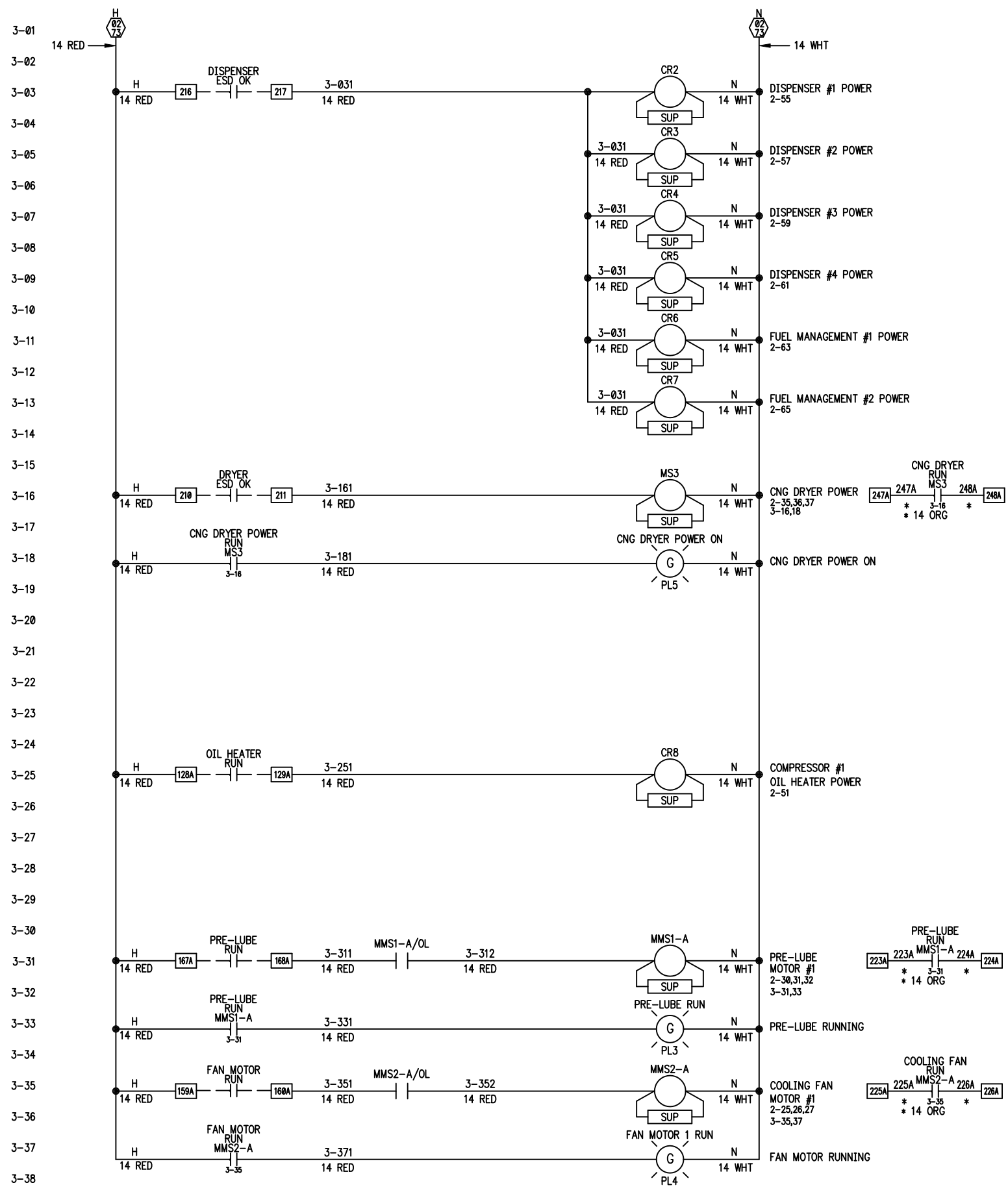
REV.	DESC. OF CHANGE	DATE	PROJ. #	ENGINEERING SPECIALISTS, INC.
0	DESIGN FOR APPROVAL	8-21-12	816-104	BROOKFIELD, WI. 53045-5110 NEWARK, WI. 53956
				DR. BY ES 200HP STARTER PANEL
				DATE 8-20-12 TAG #
				REV 0 A80-70-40167
				SCALE NTS 816-104
				SHT. 1 OF 4

THIS DOCUMENT IS PROPRIETARY PROPERTY OF ENGINEERING SPECIALISTS, INC. THIS DOCUMENT IS TO BE USED ONLY FOR THE PURPOSE FOR WHICH IT HAS BEEN LOANED AND IT IS TO BE RETURNED IMMEDIATELY AFTER USAGE. THIS DOCUMENT SHALL NOT BE COPIED OR REPRODUCED WITHOUT WRITTEN PERMISSION OF ENGINEERING SPECIALISTS, INC.



THIS DOCUMENT IS PROPRIETARY PROPERTY OF ENGINEERING SPECIALISTS, INC. THIS DOCUMENT IS TO BE USED ONLY FOR THE PURPOSE FOR WHICH IT HAS BEEN LOANED AND IT IS TO BE RETURNED IMMEDIATELY AFTER USAGE. THIS DOCUMENT SHALL NOT BE COPIED OR REPRODUCED WITHOUT WRITTEN PERMISSION OF ENGINEERING SPECIALISTS, INC.

REV.	DESC. OF CHANGE	DATE	PROJ. #	ENGINEERING SPECIALISTS, INC. BROOKFIELD, VT. 53045-5110 NEENAH, WI. 54956
0	DESIGN FOR APPROVAL	8-21-12	816-104	DR. BY ES DATE 8-20-12 REV 0 SCALE NTS SHT. 2 OF 4
				200HP STARTER PANEL TAG # ABO-70-40167 816-104



REV.	DESC. OF CHANGE	DATE	PROJ. #	ENGINEERING SPECIALISTS, INC.
0	DESIGN FOR APPROVAL	8-21-12	816-104	BROOKFIELD, VT. 53045-5110 NEENAH, WI. 54956
				DR. BY ES 200HP STARTER PANEL
				DATE 8-20-12 TAG
				REV 0 A80-70-40167
				SCALE NTS 816-104
				SHT. 3 OF 4

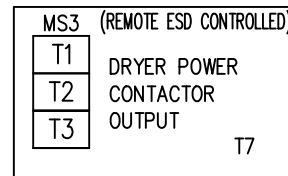
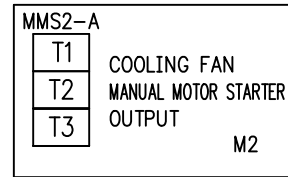
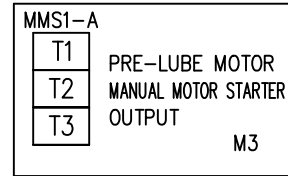
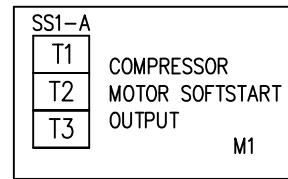
THIS DOCUMENT IS PROPRIETARY PROPERTY OF ENGINEERING SPECIALISTS, INC. THIS DOCUMENT IS TO BE USED ONLY FOR THE PURPOSE FOR WHICH IT HAS BEEN LOANED AND IT IS TO BE RETURNED IMMEDIATELY AFTER USAGE. THIS DOCUMENT SHALL NOT BE COPIED OR REPRODUCED WITHOUT WRITTEN PERMISSION OF ENGINEERING SPECIALISTS, INC.

CUSTOMER TERMINAL STRIP

Apache Corp., Canadian, Tx
A80-70-40167 200 HP SINGLE LINE 10KAIC RATING

H1	COMPRESSOR #1 TVSS PROTECTED CONTROL POWER
N1	
H2	SPARE TERMINALS
N2	
H3	SPARE TVSS PROTECTED PRIORITY POWER
N3	
H4A	COMPRESSOR #1 ENCLOSURE LIGHTING 120VAC POWER
N4A	
H4B	SPARE TERMINALS
N4B	
H5	COMPRESSOR #1 OIL HEATER POWER STARTER
N5	
H6	SPARE TERMINALS
N6	
H7	DISPENSER #1 120VAC POWER
N7	
H8	DISPENSER #2 120VAC POWER
N8	
H9	DISPENSER #3 120VAC POWER
N9	
H10	DISPENSER #4 120VAC POWER
N10	
H11	FUEL MANAGEMENT #1 120VAC POWER
N11	
H12	FUEL MANAGEMENT #2 120VAC POWER
N12	
H13	SPARE 120VAC POWER
N13	
H14	SPARE 120VAC POWER
N14	
H15	SPARE TERMINALS
N15	
H16	SPARE TERMINALS
N16	
H	STARTER PANEL CONTROL POWER
N	

128A	OIL HEATER RUN
129A	DRY CONTACT INPUT
159A	FAN MTR #1 RUN
160A	DRY CONTACT INPUT
161A	COMPRESSOR #1 MOTOR RUN
162A	DRY CONTACT INPUT
167A	PRE-LUBE MOTOR #1 RUN
168A	DRY CONTACT INPUT
210	DRYER ESD OK
211	DRY CONTACT INPUT
216	DISPENSER ESD OK
217	DRY CONTACT INPUT
201A	COMPRESSOR #1 MOTOR RUNNING
202A	DRY CONTACT OUTPUT
225A	COOLING FAN MOTOR RUNNING SIGNAL
226A	DRY CONTACT
223A	PRE-LUBE MOTOR #1 RUNNING
224A	DRY CONTACT OUTPUT
247A	DRYER RUNNING SIGNAL
248A	DRY CONTACT OUTPUT



PART NAME	PART NUMBER	MANUFACTURER	DESCRIPTION	QUA.
ENCLOSURE	8085009	RITTAL	RITTAL NEMA 3R ENCLOSURE	1
RT SIDE OF ENCLOSURE	816-XFMRPLT	CIAM	XFMR 3R MOUNTING PLATE	1
MCB DOOR HANDLE	0H895J10	ABB	PSTL HDL	1
MCB SHAFT	0XP10X500	ABB	PSTL SHAFT 19.7 6X430	1
MCB MECHANISM	K75W-M	ABB	VARIABLE DEPTH MECH T4-T5	1
MCB	TSN400TW	ABB	400 AMP MAIN BREAKER	1
MCB	K75300-3	ABB	LUG KIT FOR T5	2
MCB	K75HTC-3	ABB	TERMINAL COVER FOR T5 BREAKER	1
MCB	K75KLF	ABB	LOCKING MECH FOR MAIN BREAKER	
TVSS1	2859547	PHOENIX	PHOENIX, VAL-CP-3C-350	1
CB1	TSN400TW	ABB	400 AMP BREAKER SET TO 350 AMPS	1
CB1	K75300-3	ABB	LUG KIT FOR T5	2
CB1	K75HTC-3	ABB	TERMINAL COVER FOR T5 BREAKER	1
DB1	1353705	MARATHON	POWER DISTRIBUTION BLOCK	1
SS1-A	PSE250-600-70	ABB	200HP SOFTSTARTER	1
SS1-A	ATK300/2	ABB	LUG KIT FOR SOFTSTARTER	2
SS1-A	LT300-AL	ABB	TERMINAL COVERS FOR SOFT STARTER	1
HMI	PSEEK	ABB	PST ELECTRONIC REMOTE KEYPAD	1
HMI	A31DTCOVERKIT	VYNKIER	UV/ NEMA 3R COVER FOR KEYPAD	1
MMS2-A	CL7-16-10-120-AS16A-A10	SPRECHER & SCHUH	7.5 HP MANUAL MOTOR STARTER FOR FAN MOTOR	1
MMS2-A	CA7-PV-20	SPRECHER & SCHUH	AUX CONTACT	1
MMS1-A	CL7-9-10-120-AS1.6A-A10	SPRECHER & SCHUH	1/2 HP MANUAL MOTOR STARTER FOR LUBE PUMP	1
MMS1-A	CA7-PV-20	SPRECHER & SCHUH	AUX CONTACT	1
CB2	T1N030TL	ABB	30 AMP 3-POLE CIRCUIT BREAKER FOR DRYER	1
MS3	CA7-72-10-120	SPRECHER & SCHUH	72A 3-POLE CONTACTOR FOR DRYER	1
CB-P	T1N040TL	ABB	40 AMP THREE POLE BREAKER FOR 120 VAC INPUT CONTROL XFMR	1
CB-S	S801U-K80	ABB	80 AMP SINGLE PHASE BREAK FOR 120 VAC OUTPUT CONTROL XFMR	1
CB3-CB14	S201U-K15	ABB	15 AMP CIRCUIT BREAKER SINGLE PHASE 120 PLC, LIGHT AND BLOCK HEATER	12
CB15	S201U-K5	ABB	5 AMP CIRCUIT BREAKER FOR CONTROL POWER	1
CR1	SH2B-05	IDEC	SOCKET	1
CR1	RH2B-ULAC120V	IDEC	CONTROL RELAY	1
TVSS2,3	2839334	PHOENIX	PLUG TRAB FILTER	2
TVSS2,3	2839282	PHOENIX	BASE FOR PLUG TRAB FILTER, PLC POWER	2
T1	HSF7.5AS/ANGI	HEVI-DUTY	HEAVY DUTY, NEMA 3R 7.5 KVA TRANSFORMER	1
PL2,PL3,PL4,PL5	CL-513G	ABB	COMPACT PILOT GREEN 120 VAC	4
PL1	CL-513R	ABB	COMPACT PILOT RED 120 VAC	1
SS1	C2SS210B-10	ABB	TWO POSITION SHORT HANDLE, NON ILLUMINATED (1 NO) AUTO MANUAL	1
DB1	16528-1	BUSSMAN	BUSSMAN, 3-POLE DISTRIBUTION BLOCK	1
DB1	CPDB165	BUSSMAN	COVER FOR DISTRIBUTION BLOCK	1
TERMINALS	3044102	PHOENIX	UT4 TERMINAL BLOCK	150
TERMINALS	3047028	PHOENIX	END STOP	8
TERMINALS	3022276	PHOENIX	END CLAMP	10
TERMINALS	3044128	PHOENIX	GROUND TERMINAL	1
TERMINALS	801733	PHOENIX	DIN 3 PRE-PUNCHED RAIL	2
TERMINALS	1851003	PHOENIX	Z86 TERMINAL LABEL	30
CR2-CR8	A9-30-10-84	ABB	ABB CONTACTOR BLOCK FOR BLOCK HEATER, DISPENSORS AND FUEL MANAGEMENT	7
SUP	12859-009	INNOVATIVE AUTOMATION	SURGE SUPPRESSOR	10
DB2	FSPDB3A	MERCEN	DISTRIBUTION BLOCK FOR TRANSFORMER CONNECTIONS	2
WIREWAY	QD225X400SG	ABB	2 X 4 WIRE WAY	3

THIS DOCUMENT IS PROPRIETARY PROPERTY OF ENGINEERING SPECIALISTS, INC. THIS DOCUMENT IS TO BE USED ONLY FOR THE PURPOSE FOR WHICH IT HAS BEEN LOANED AND IT IS TO BE RETURNED IMMEDIATELY AFTER USAGE. THIS DOCUMENT SHALL NOT BE COPIED OR REPRODUCED WITHOUT WRITTEN PERMISSION OF ENGINEERING SPECIALISTS, INC.	REV.	DESC. OF CHANGE	DATE	PROJ. #	ENGINEERING SPECIALISTS, INC. BROOKFIELD, VT. 53045-5110 NEWARK, VT. 52856
	0	DESIGN FOR APPROVAL	8-21-12	816-104	DR. BY ES
					DATE 8-20-12
					REV 0
					SCALE NTS
				SHT. 4 OF 4	200HP STARTER PANEL TAG # A80-70-40167 816-104