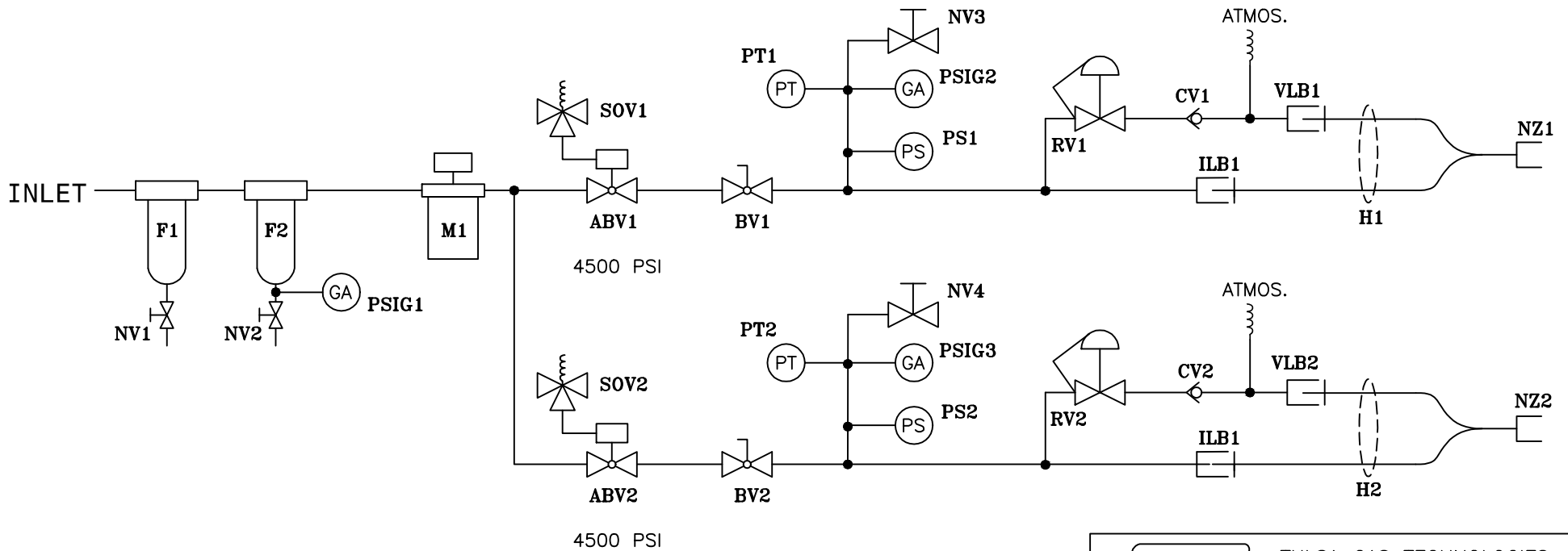


ABV1.....ACTUATED BALL VALVE, BI-TORQ PN75SR WITH
 OASIS BALL VALVE, BV706-4N6LDDN
 ABV2.....ACTUATED BALL VALVE, BI-TORQ PN75SR WITH
 OASIS BALL VALVE, BV706-4N6LDDN
 BV1,BV2...OASIS BALL VALVE, BV706-4N6LDDN
 CV1,2.....OASIS CHECK VALVE, CV304-6NXDN
 F1.....PARKER FILTER, JN4D-4CP, ELEMENT P/N 4CJDK
 F2.....PARKER FILTER, JN4D-10CP, ELEMENT P/N 10CJDK
 H1.....PARKER 3/4" X 3/8" PARFLEX HOSE
 ILB1,2....SHEREX/OPW ILB5
 NV1-4.....NOSHOK NEEDLE VALVE, 152MFC
 NZ1.....OPW SHEREX NOZZLE, CT5000
 NZ2.....OPW SHEREX NOZZLE, CT1000

M1.....ENDRESS+HAUSER, CNGMASS DN25 FLOW METER
 TRANSMITTER/SENSOR
 PS1,2.....NASON PRESSURE SWITCH, XM-IC-4500R/W LAU 163
 PSIG1,2,3..TGT 2.5" GAUGE 0-6000 PSI
 PT1,2.....MURPHY TRANSDUCER, PXT-K
 RV1,2.....MERCER RELIEF VALVE, 1400 SERIES
 SOV1,2.....ASCO RED HAT SOLENOID VALVE
 VLB1,2.....TGT VENT LINE BREAKAWAY



TULSA GAS TECHNOLOGIES, INC.
 4809 South 101st East Avenue
 Tulsa, OK 74146
 (918) 665-2641 FAX: (918) 665-2657

MODEL: -	DRAWN BY: MB	DATE
SEQUENCE -	CHECKED BY: -	06-01-26
PROGRAM: -	APPROVED BY: -	
SERIAL NO.: -	PART: -	
WORK ORDER: -	DWG. NO. T7214-12-12-8FF25 P&ID	