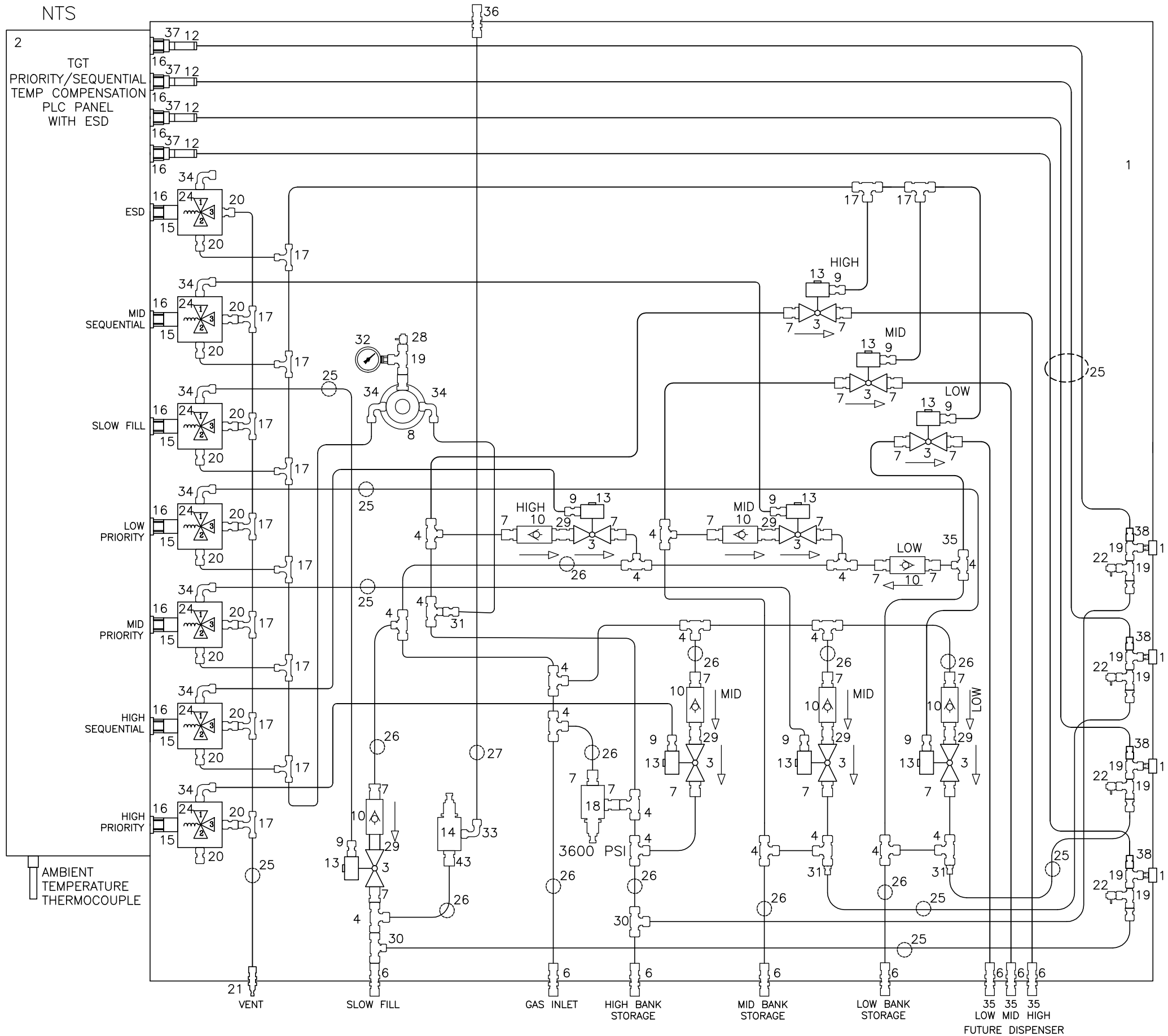


NTS

2  
TGT  
PRIORITY/SEQUENTIAL  
TEMP. COMPENSATION  
PLC PANEL  
WITH ESD



**Bill of Materials: TGT Electronic Priority/Sequential/ESD/Slow Fill Panel**

1. 42x36x12 - Panel Enclosure w/Back panel. Wiegmann (1)
2. 16x12x10 - PLC Panel Enclosure w/Back Panel. Wiegmann (1)
3. BV704-4N6A - 1/2" Oasis Ball valve w/Bi-Torque Actuator (9)
4. SS810-3 Swagelok 1/2" Union Tee. (17)
5. SS-811-PC-4 Swagelok Reducing Port Connector (3)
6. SS-810-61 Swagelok Bulkhead Connector (8)
7. SS-810-1-8 Swagelok 1/2" Male Connector (22)
8. P39 Belgas Regulator
9. SS-400-1-2 Swagelok 1/4" Male connector (11)
10. CV 204 Oasis 1/2" Check Valve (7)
11. 50230158 TGT 6000# Pressure gauge w/Mount (4)
12. PXT-10000 Murphy 4ma - 20ma Transducer. 0 - 10000# (4)
13. ASP-18V 1/8" Breather Cap (9)
14. 1400 Mercer Relief Valve. 4500# (1)
15. 05532 Pipe Nipple 1/2" x 2 1/2" (7)
16. HUBS0DN Myers hub 1/2" (11)
17. SS-400-3 Swagelok 1/4" Union Tee (14)
18. 635-L Aqua Environmental Backpressure Valve (1)
19. SS-4-ST Swagelok Street Tee (5)
20. SS-4-TA-1-4 Swagelok 1/4" Male Adaptor (14)
21. B-400-61 Brass Swagelok 1/4" Bulkhead Union(1)
22. 4M-BV4-SS Parker 1/4" Bleeder Valve (4)
23. -----
24. EF8201G034 24VDC Asco RedHat 3-way Valve (7)
25. 1/4" SS Tubing .035" Wall Thickness
26. 1/2" SS Tubing .083" Wall Thickness
27. 3/4" SS Tubing .109" Wall Thickness
28. KSV-10-2-150 Safety Relief Valve 150# (1)
29. SS-8-HN-2 Swagelok 1/2" x 2" Hex Nipple (6)
30. SS-810-3-8-4 Swagelok Reducing Tee 1/2" x 1/4" (2)
31. SS-400-R-8 Swagelok Tube Reducer 1/2" X 1/4" (3)
32. 300 PSI Noshok Pressure Gauge (1)
33. SS-1210-2-12 Swagelok 3/4" Elbow (1)
34. SS-400-2-4 Swagelok 1/4" Elbow (9)
35. SS-810-P Swagelok 1/2" plug (3)
36. SS-1210-61 Swagelok 3/4" Bulkhead Union (1)
37. SS-400-1-4 1/4" x 1/4" Male Connector (4)
38. SS-400-7-4 1/4" Female Connector (4)

**TGT PLC Control Panel**

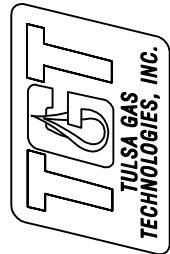
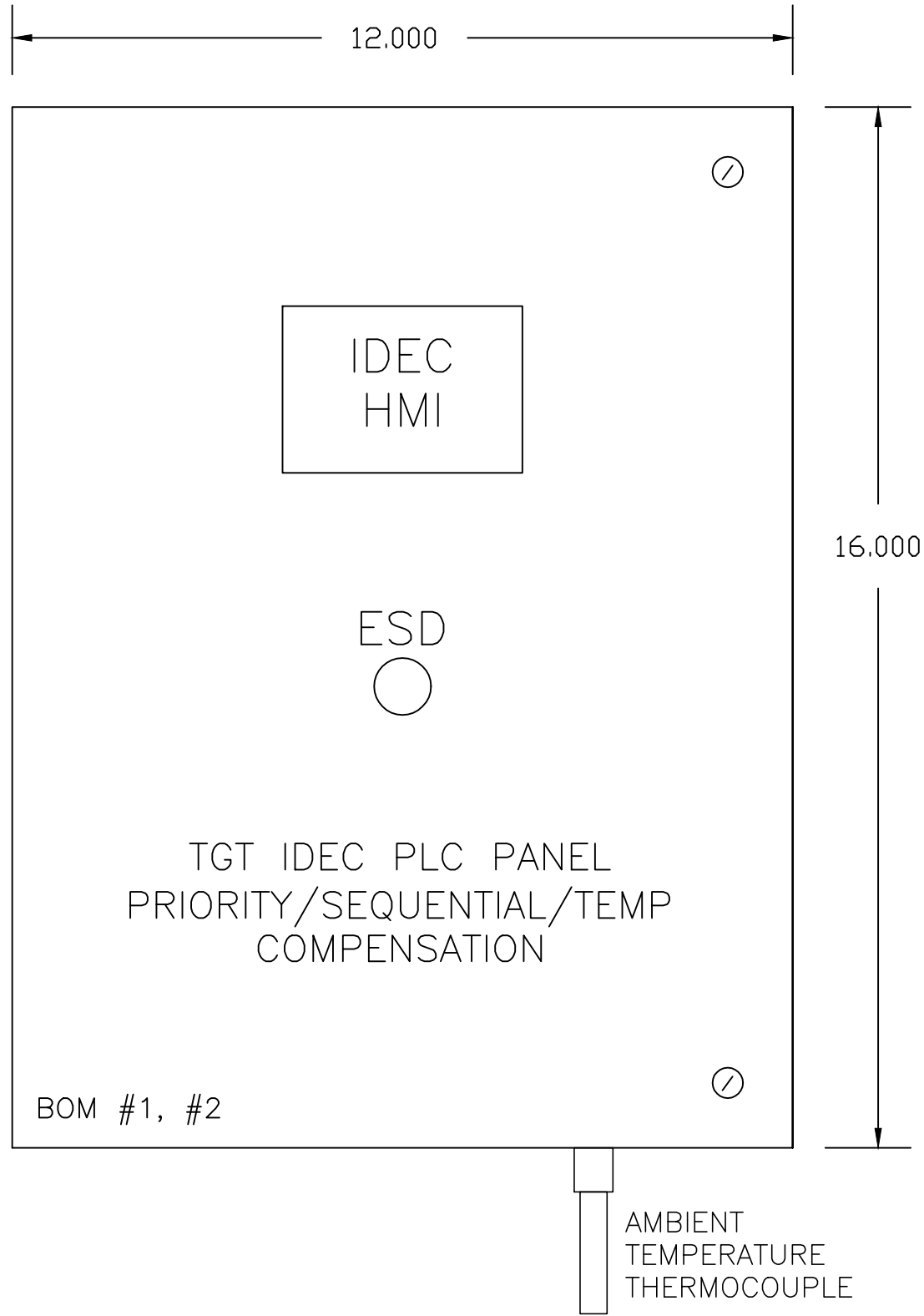
1. SL6A-C16-P1CE IDEC PLC (1)
2. HV1G IDEC HMI (1)
3. PS5R-VE24 IDEC 90W Power Supply (1)
4. M12KIN-1/4-V-3.5-R Omega Thermocouple (1)
5. Assorted IDEC Relays
6. Assorted IDEC Terminal blocks

MODEL:	DRAWN BY:	DATE:
SEQUENCE	MB	10-15-20
PROGRAM:		10-19-20
SERIAL NO.:		11-19-20
WORK ORDER:		01-21-21
MATERIAL:		

**TULSA GAS TECHNOLOGIES, INC.**  
 4809 S. 101st E. Ave.  
 Tulsa, OK 74146  
 918-665-2641  
 FAX: 918-665-2657



g:\All Products info by Serial Number\2020\2011304 TGT-3BP-G-24 8-ESD-G-120 J-W POWER



**TULSA GAS TECHNOLOGIES, INC.**  
 4809 S. 101st E. Ave.  
 Tulsa, OK 74146  
 918-665-2641  
 FAX: 918-665-2657

MODEL:	DRAWN BY:	MB	DATE
SEQUENCE -	CHECKED BY:	-	10-19-20
PROGRAM: -	APPROVED BY:	-	11-19-20
SERIAL NO.: -	PART:	-	
WORK ORDER: -	DWG. NO.	TGT-8-3BP-G-24/8-ESD-G-120	
MATERIAL: -			