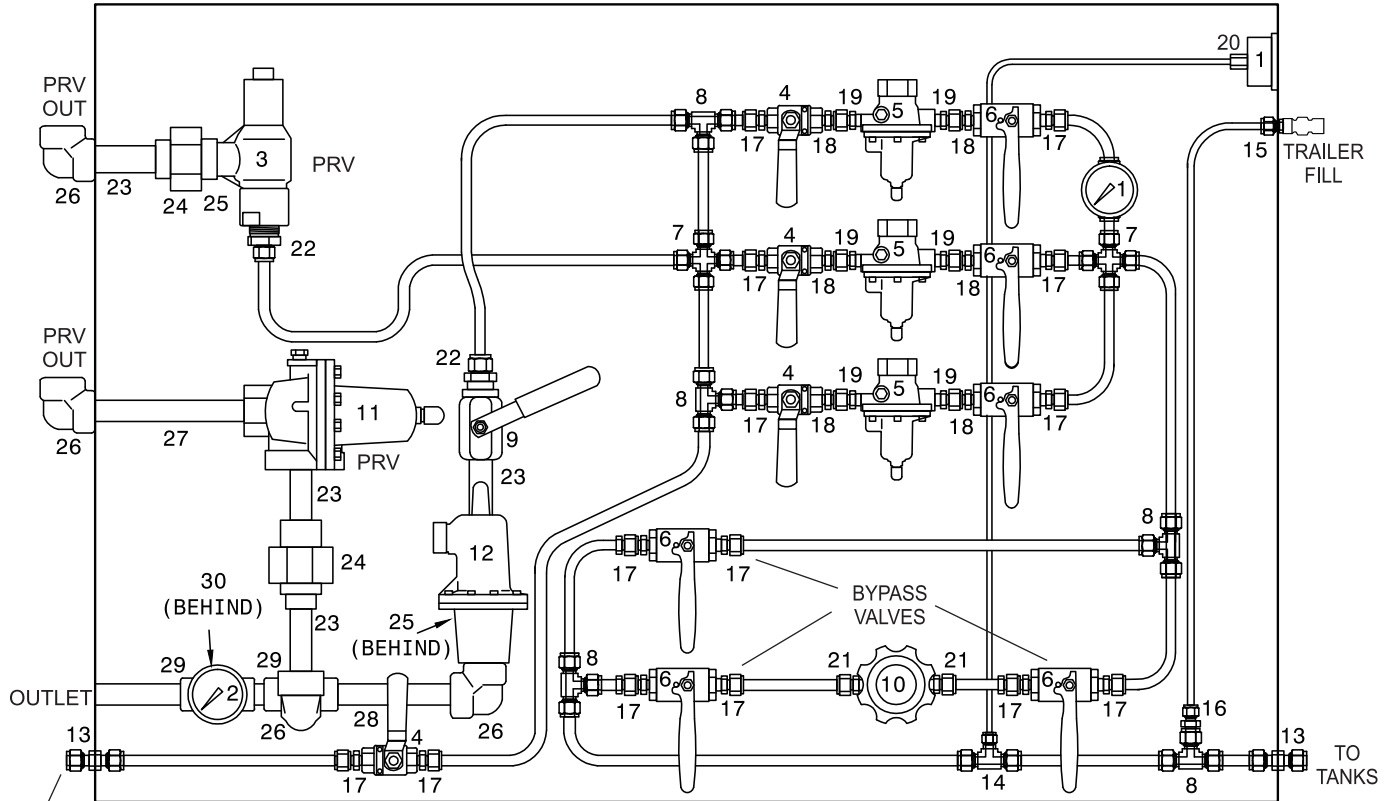


Tulsa Gas Technologies, Inc. 15DOT10K Trailer Panel



SECONDARY
REGULATOR
BYPASS

NO.	QUANTITY	PART NO.	DESCRIPTION
1	2		TGT GAUGE 0-6000PSI
2	2		NO-SHOK GAUGE, 0-300PSI
3	1	91-1E51V1011	MERCER RELIEF VALVE, SET 250PSI
4	4	SS-2B	C.F.F. LOW PRESSURE VALVE
5	3	13013-2	FISHER REGULATOR
6	6	BV704	OASIS VALVE
7	2	SS-810-R	UNION CROSS
8	4	SS-810-3	UNION TEE
9	1	73A-105-27A	APOLLO VALVE
10	1	44-1326	TESCOM PRESSURE REGULATOR VALVE
11	1	289HH	FISHER SPRING-LOADED RELIEF VALVE
12	1	627R	FISHER REGULATOR
13	2	SS-810-61	BULKHEAD
14	1	SS-810-3-8-4	REDUCING UNION
15	1	SS-600-6ST	TGT BULKHEAD/P36 RECEPTACLE
16	1	SS-800-R-6	REDUCER
17	14	SS-810-1-8	1/2" MALE CONNECTOR
18	6	SS-8-TA-1-8	TUBE ADAPTER
19	6	SS-810-1-4	1/2" TUBE TO 1/4" NPT CONNECTOR
20	1	SS-400-7-4	1/4" FNPT
21	2	SS-810-1-8ST	#8 ST. THREAD O-RING
22	2	SS-810-1-12	1/2" TUBE TO 1" NPT
23	4		BLACK PIPE 4" NIPPLE
24	2		BLACK PIPE UNION
25	2		BLACK PIPE CLOSE NIPPLE
26	4		BLACK PIPE ELBOW
27	1		BLACK PIPE 12" NIPPLE
28	1		BLACK PIPE 6" NIPPLE
29	2		BLACK PIPE TEE
30	1		BLACK PIPE BUSHING 1" TO 1/4"