

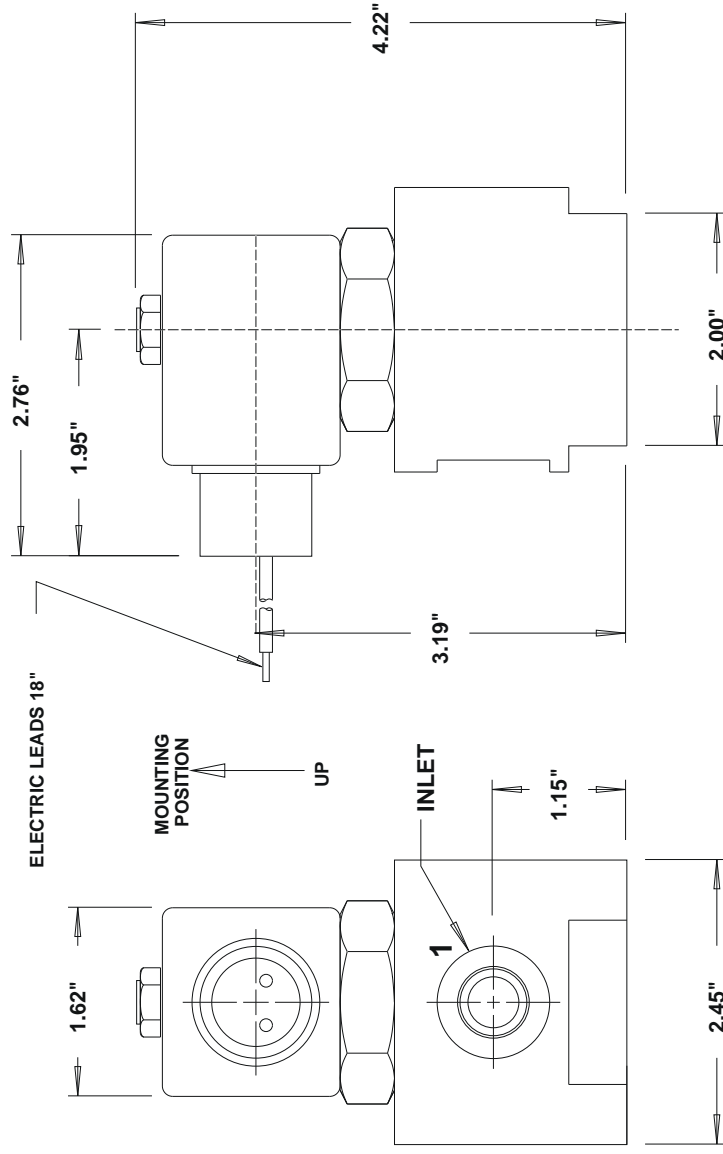
RATINGS

MECHANICAL

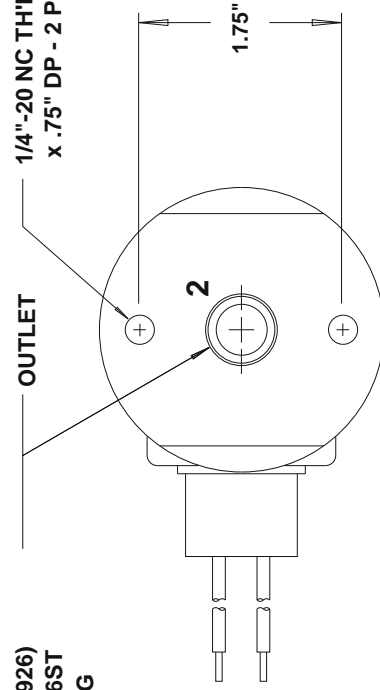
SUITABLE FOR NATURAL GAS
 MAWP: 5000 psig 345 bars
 NORMALLY CLOSE
 OPERATING TEMPERATURE -40 to 150 F
 FLOW COEFFICIENT 2.8
 INLET & OUTLET CONNECTION 9/16-18 SAE
 COMPATIBLE WITH ROYAL OILS
 SEALS: VITON
 303 STAINLESS STEEL
 ANODIZED ALUMINUM

ELECTRICAL

CLASS 1, GROUP A, B, C, D
 CLASS 2 GROUP E, F, G
 VOLTS: 120VAC /60 AVAILABLE IN 250VAC/50
 WATTS: 10
 1/2" FEMALE CONDUIT



SAE Straight Thread Port (SAE J1926)
 Swagelok Tube Fitting : SS-600-1-6ST
 (9/16"-18 S-SAE STRAIGHT 0-RING
 3/8" TUBE to 3/8" THREAD)
 2 PLC'S



TULSA GAS TECHNOLOGIES, INC.
 10117 EAST 48TH STREET
 TULSA, OK 74146
 918-665-2641 FAX : 918-665-2657



| | |
|------------------------|--------------|
| DATE: 11/12/99 | REV. |
| DESIGNED BY: C. SEWELL | CHECKED BY: |
| DRAWN BY: C.R.S. | SCALE: NONE |
| DWG. NO. TGT-SV-1-6-2D | SHEET NO. OF |